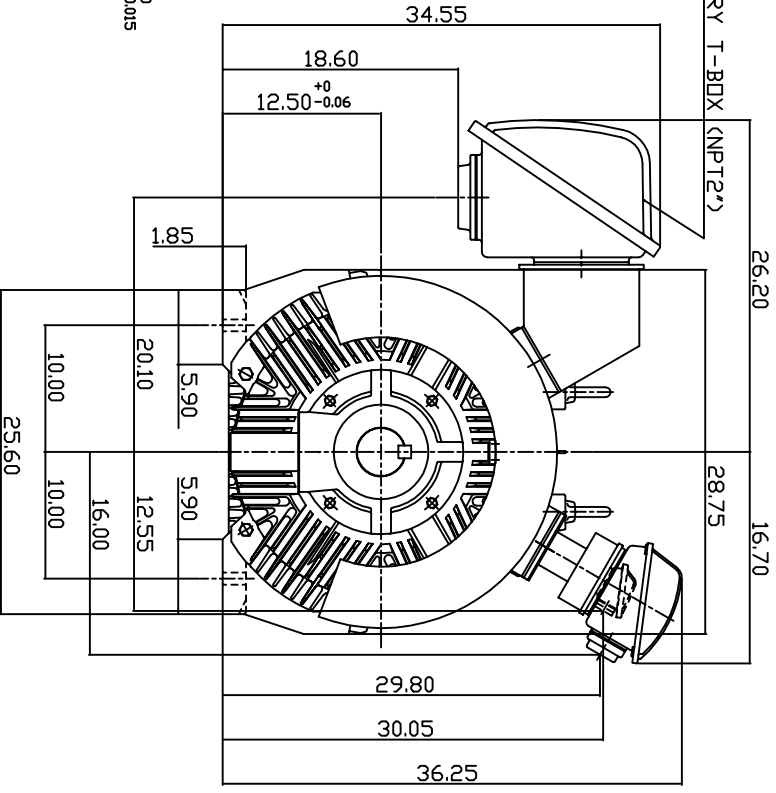
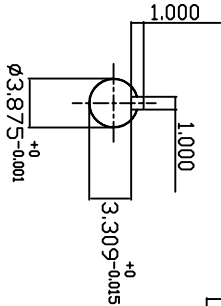
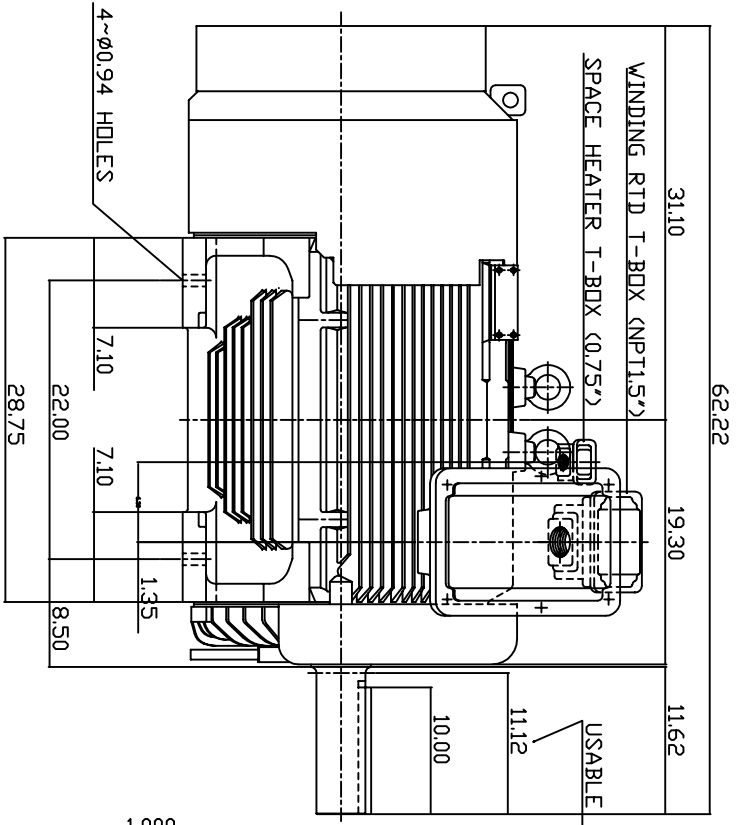


TYPE	OUTPUT		POLE	TIME RATING	VOLTAGE	Hz	SYN SPEED R.P.M
	HP.	KW.					
AEHGTK	150	112	8	COND.	2300/4160	60	900

TOTALLY ENCLOSED FAN-COOLED TYPE. SQUIRREL-CAGE ROTOR



NOTE:
1. DIMENSIONS IN INCH.
2. FRAME NO. 5007C
3. F CLASS INSULATION, S.F.115
4. FOR BELT DRIVE APPLICATIONS
5. WITH SPACE HEATER 120 VOLT SINGLE PHASE 200 WATTS
6. WITH 100 OHM PLATINUM WINDING RTD'S 2/PHASE
7. BEARING SIZE: DRIVE END: NU324
NON-DRIVE END: 6320
8. MOTOR APPROX. WEIGHT: 3600 LBS

TW-56C

DWN.	W.LLIN	APR-08-2003
CHKD.	W.LLIN	APR-08-2003
APPD.	C.WANG	APR-08-2003

DATE	MAY 5, 2004	OUTLINE DIMENSIONS
CATALOG NO.	KG1508R	
3-PHASE INDUCTION MOTOR		DWG NO.
Westinghouse		3A040T4450
		REV: 00