

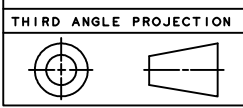
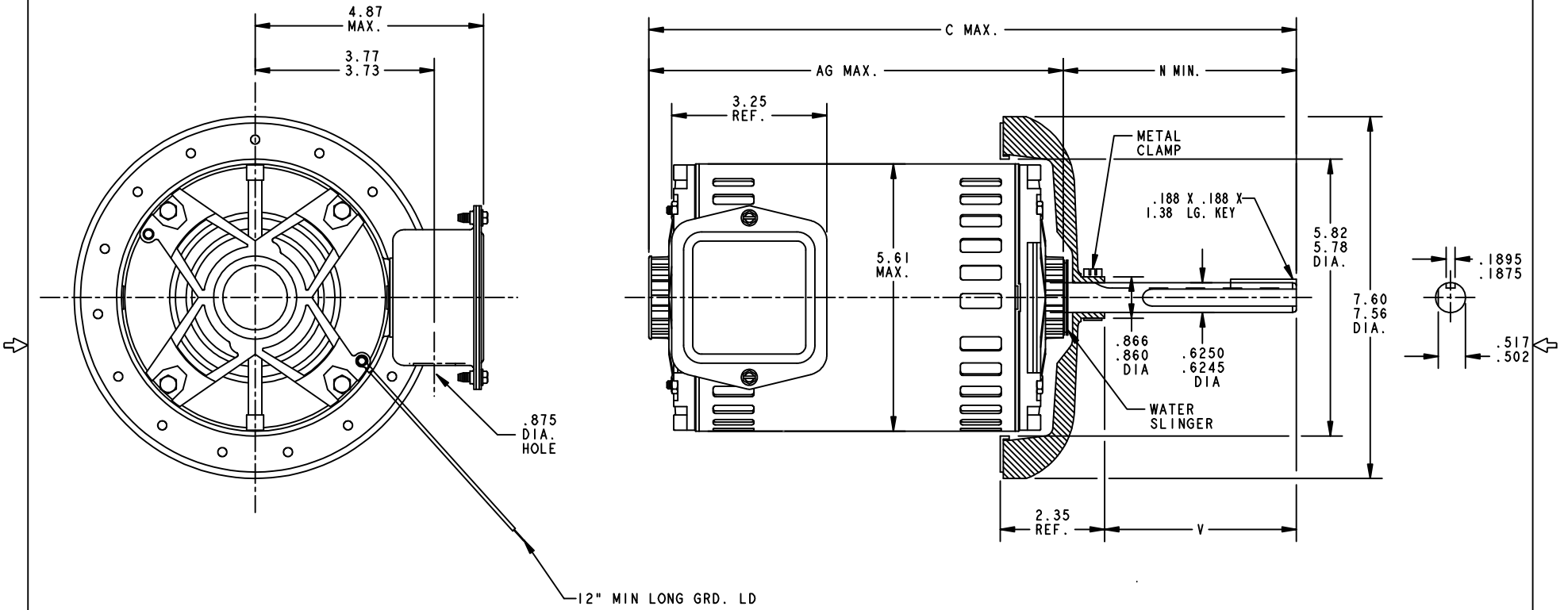


SIZE DRAWING NO.  
B

52B211524

REV 0  
SHEET 1

REVISIONS			
REV.	DESCRIPTION	DATE	APPROVED



I	KCP	39	48Y	15.76	5.03	10.63	4.13 4.07	8.50	SHELL LGTH.
P	TYPE	GE SIZE	NEMA FR	C	N	AG	V		

FOR ADDITIONAL INFO REFER TO:  
APPLIED PRACTICES  
DIMENSIONS ARE IN INCHES  
MATERIAL

SIGNATURES	DATE
MODEL PRAVEEN.K	05/11/06
DETAIL	.
CHECKED	.
ENGRG	.
NFG	.
QUALITY	.
ISSUED PRAVEEN.K	05/11/06
SOLID MODEL: 52B211524	

**REGAL-BELOIT CORPORATION**

TITLE  
**OUTLINE**  
**FORM N - SPECIAL PURPOSE MOTOR**  
**OPEN - BALL BEARING**

SIZE DRAWING  
B

52B211524

REV 0

SCALE: 1.000 REF. No: . SHEET 1 of 1