

DATE
Sept. 12, 2005
CAT. #: HH0752

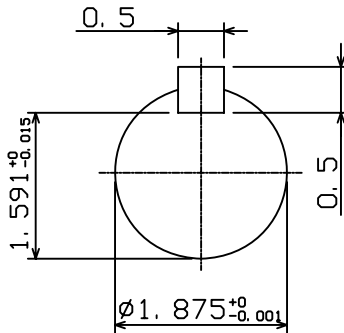
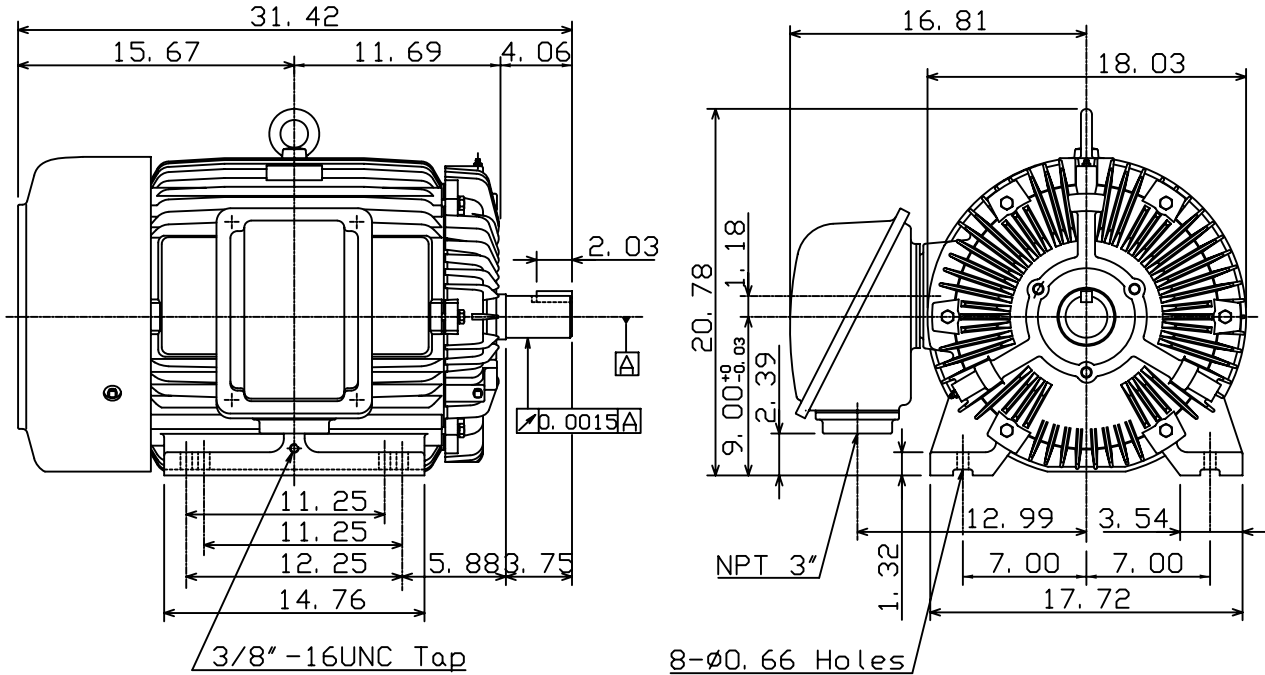
OUTLINE DIMENSIONS
3-PHASE INDUCTION MOTOR

MOTOR TYPE:
AEHH
FRAME NO. 365TS

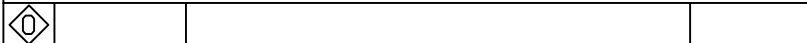
Pole	HP	kW	Hz	VOLT	Syn. Speed r/min(rpm)
2	75	56	60	460	3600

Ins	Rating	Dimension in	Approx Weight	Bearings
F	CONT.	inches	818 lbs.	DE: 6312ZC3 NDE: 6212ZC3

Totally Enclosed Fan-Cooled Squirrel-Cage Rotor.



Note:
1. Motor Vibration: 10μ.



DWN.	K. L. KUO	01-17-05
CHKD.	C. H. KAO	02-02-05
APPD.	M. C. TSAI	02-02-05



DWG NO.
31049M632520