

# Product Information Packet

November 7, 2016

Data shown is for the current revision model #. Ensure your nameplate model # matches.

<b>Model Number:</b>	<b>5KS404ATE205A</b>
<b>Catalog Number:</b>	<b>E7401</b>
<b>Instruction Manual:</b>	GEI-M1023
<b>Connection Diagram:</b>	GEM2034E-FIG10
<b>Outline Drawing:</b>	358B6203AA

## Accessory Connection Diagrams

<b>Bearing Thermocouple:</b>	None	<b>Heater:</b>	None
<b>RTD:</b>	None	<b>Thermistor:</b>	None
<b>Thermostat:</b>	None	<b>Winding Thermocouple:</b>	None
<b>Bearing RTD:</b>	None		

## Table of Contents

Specification	01
Performance Characteristics	02
Outline Drawing	03
Connection Drawing(s)	04



**Marks:**

<b>MODEL NUMBER:</b>	<b>5KS404ATE205A</b>	<b>Estimated Weight:</b>	1150 Lbs
<b>Outline Drawing:</b>	358B6203AA	<b>Time Rating:</b>	CONT
<b>Connection Diagram:</b>	GEM2034E-FIG10	<b>Enclosure:</b>	DP
<b>Instruction Book:</b>	GEI-M1023	<b>Encl Construction:</b>	OPEN
<b>Design Code:</b>	40AD1006A	<b>Ambient Max(°C):</b>	40
<b>Type:</b>	KS	<b>Alt Ambient Max(°C):</b>	--
<b>Frame:</b>	404T	<b>Insulation Class:</b>	F
<b>Phases:</b>	3	<b>NEMA Design:</b>	A
<b>Poles:</b>	4	<b>Nominal Efficiency:</b>	95.4 %
<b>Output Power:</b>	100HP 74KW	<b>Guaranteed Efficiency:</b>	94.5
<b>RPM:</b>	1785	<b>3/4 Load Efficiency:</b>	96.0
<b>Voltage:</b>	230/460	<b>KVA Code:</b>	G
<b>Hertz:</b>	60	<b>Max KVAR:</b>	23.6
<b>Amps - FL:</b>	226/113	<b>Power Factor:</b>	86.5
<b>Service Factor:</b>	1.15	<b>Bearing - DE:</b>	6317
<b>Alt Service Factor:</b>	--	<b>Bearing - ODE:</b>	6313

Enclosure is Dripproof

---

**Stamped Nameplate Notes:****Additional Information:**

4 POLE DP  
 LRA: 1456.2/728.1  
 NO. OF MOTOR LEADS: 12  
 CONDUIT BOX VOLUME (IN<sup>3</sup>): 1240  
 CONDUIT BOX MTL: STAMPED STEEL  
 GREASE TYPE: CHEVRON SRI-2 POLYUREA GREASE  
 USABLE AT 200 VOLTS @ 100 HP, 258 AMPS @ 1.0 SF  
 50 HZ DATA; 100HP, 200/400V, 260/130 AMPS AT 1.0SF  
 SOUND POWER: 82.2  
 DMK, 06/04, DATA UPDATE: 2/2/2005  
 INVERTER DUTY PER NEMA MG1 PART 31  
 FOR VARIABLE TORQUE LOADS

**Performance Characteristics**

1st Winding 1st Connection

**Design: 40AD1006A**

**Marks:**

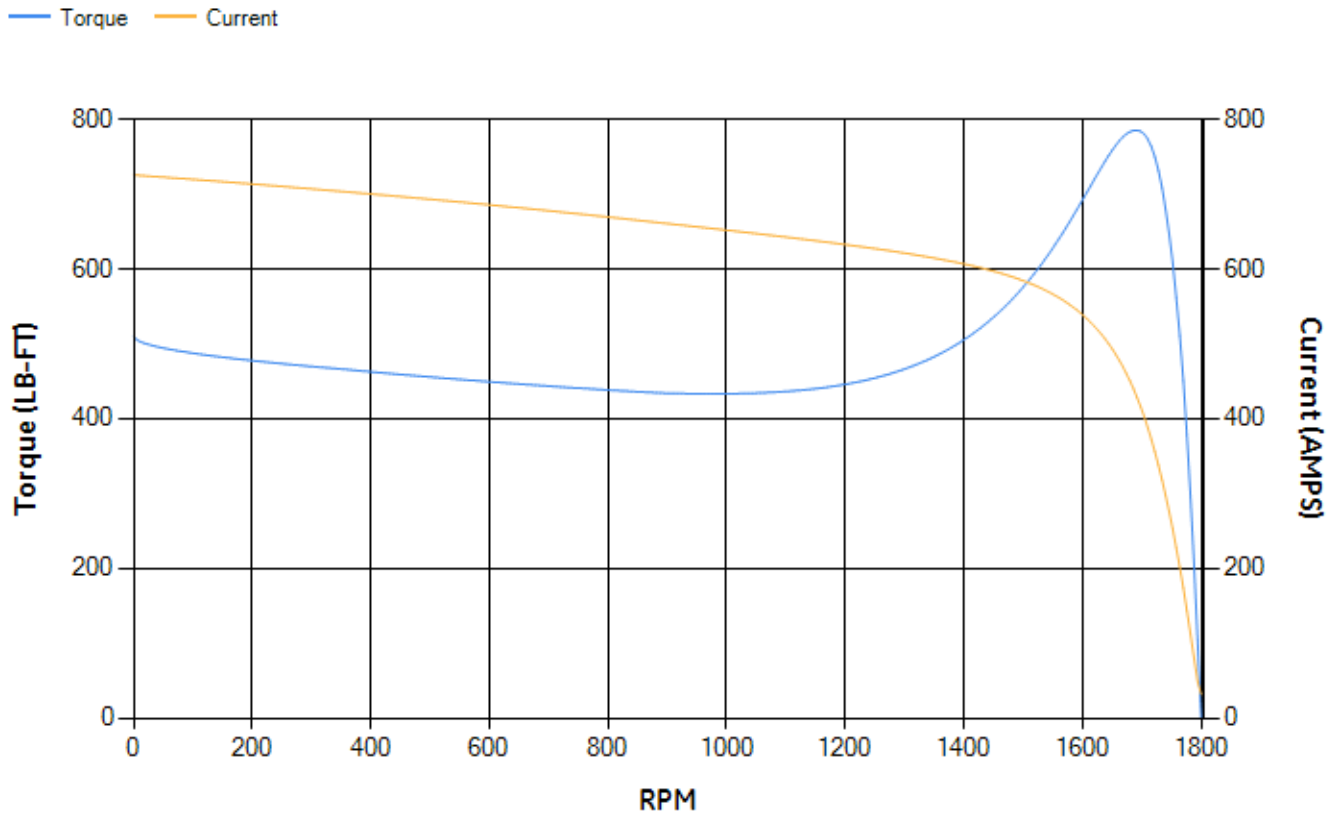
LOAD %	125.0	115.0	100.0	75.0	50.0	25.0	0.0
% EFF	95.22	95.44	95.92	95.99	95.76	93.78	0.00
% PF	88.3	88.34	88.01	85.94	79.67	60.18	4.23
AMPS	139.14	127.66	110.87	85.1	61.34	41.46	31.34

<b>TORQ(FL)#FT</b>	294.49	<b>TORQ(LR)%FL</b>	173.29	<b>TORQ(BD)%FL</b>	266.15
<b>AMPS(LR)</b>	725.55	<b>PF AT START</b>	0.32		

This motor is capable of two cold or one hot start with a maximum connected load inertia of 2503 Lb-Ft Sq (105.38 Kg-meter Sq)at 100% voltage, where the load torque varies with the square of the speed. Acceleration time with maximum inertia and the above load type is 37 seconds. Safe stall time at 100% voltage is 63 seconds cold, 47 seconds hot. Rotor inertia is 22.37 Lb-Ft Sq (0.94 Kg-meter Sq).

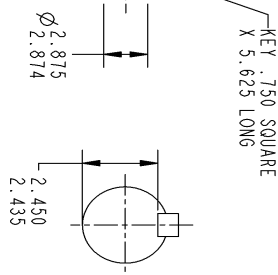
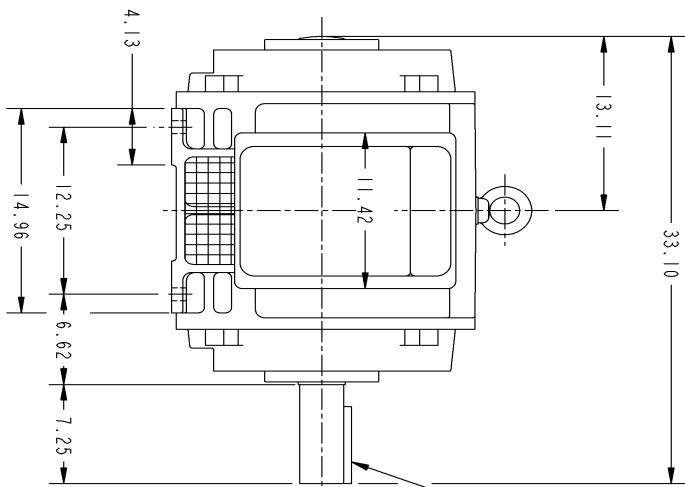
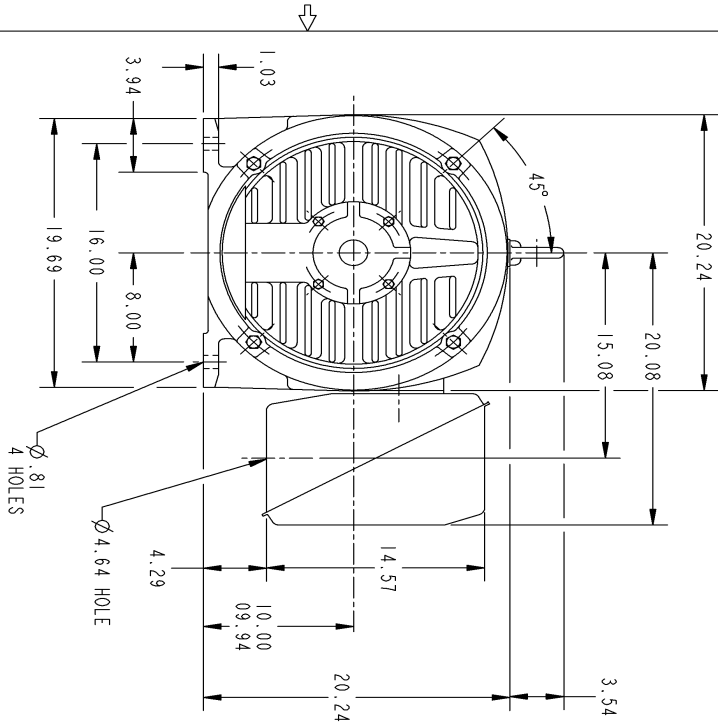
<b>Open Circuit A-C:</b>	0.975	<b>Short Circuit D-C:</b>	0.029
<b>Short Circuit A-C:</b>	0.039	<b>X/R Ratio:</b>	10.845
<b>Stator Slots:</b>	60	<b>Rotor Slots:</b>	50

**Speed Torque Current Curve (First Connection, First Speed)**



NAME:500903578 OBJECT:358B6203AA DATE:04-May-07 10:52:23

Marks:



GE PROPRIETARY AND CONFIDENTIAL INFORMATION

This document is the property of General Electric Company (GE) and contains proprietary information of GE. This document is loaned on the express condition that neither it nor the information contained therein shall be disclosed to any other person or organization without the prior written approval of GE. This information shall be used only for the specific project or system for which it was prepared. This document shall be returned to GE upon its request. This document is not to be copied, reproduced, or distributed without the express written approval of GE. Report control and registration.

REV.	DESCRIPTION	DATE	APPROVED
1	ISAAC 07-0770	05/02/07	R. KOHNE

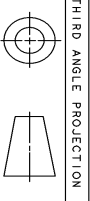
358B6203AA

REV 1

REVISIONS

NOTES :

1. CONDUIT BOX MAY BE PLACED WITH THE ENTRANCE DOWN, UP OR ON EITHER SIDE.
2. F-1 ASW AS SHOWN.
3. F-2 ASW - HAS CONDUIT BOX ON OPPOSITE SIDE.



THIRD ANGLE PROJECTION

FOR ADDITIONAL INFO REFER TO:	SIGNATURES	DATE
APPLIED FACILITIES	MODEL	
DIMENSIONS ARE IN INCHES	REVIEW	
TOLERANCE ON:	DESIGNED	
1 PL DECIMALS ± .	SUPPLIER	
2 PL DECIMALS ± .	ENGINEER	
3 PL DECIMALS ± .	QA	
ANGLES ± .	QUALITY	
FRACTIONS ± .	ISSUED	
FINISH	SOLID MODEL	
MATERIAL	SOLID MODEL NAME	

GE Industrial Systems

GENERAL ELECTRIC COMPANY

TITLE

404T - CAST IRON ODP FOOTED

358B6203AA

SCALE: DRAWING SCALE

SHEET 1 of 1

Marks:

**Connection Diagram**  
**GEM2034E-FIG10**

