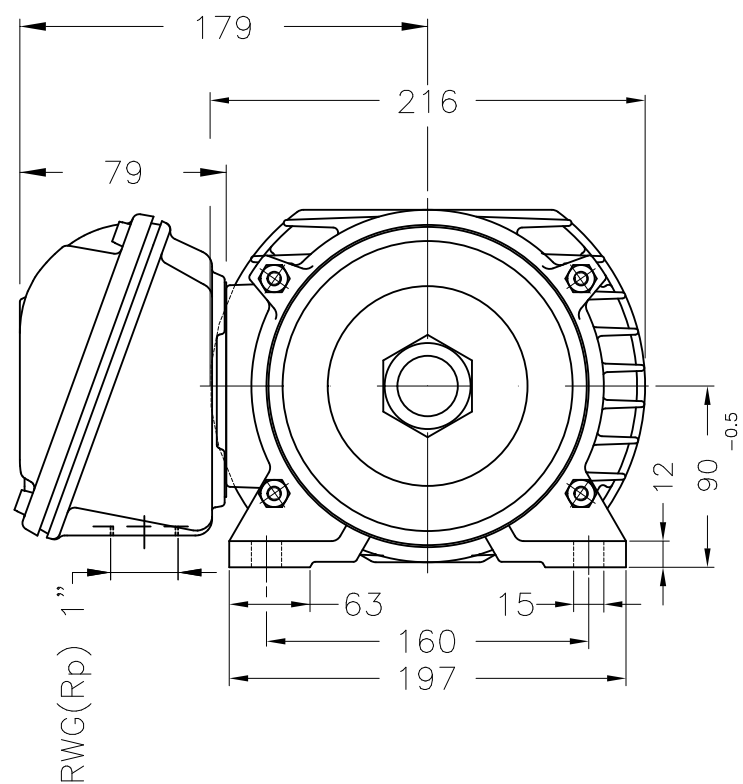
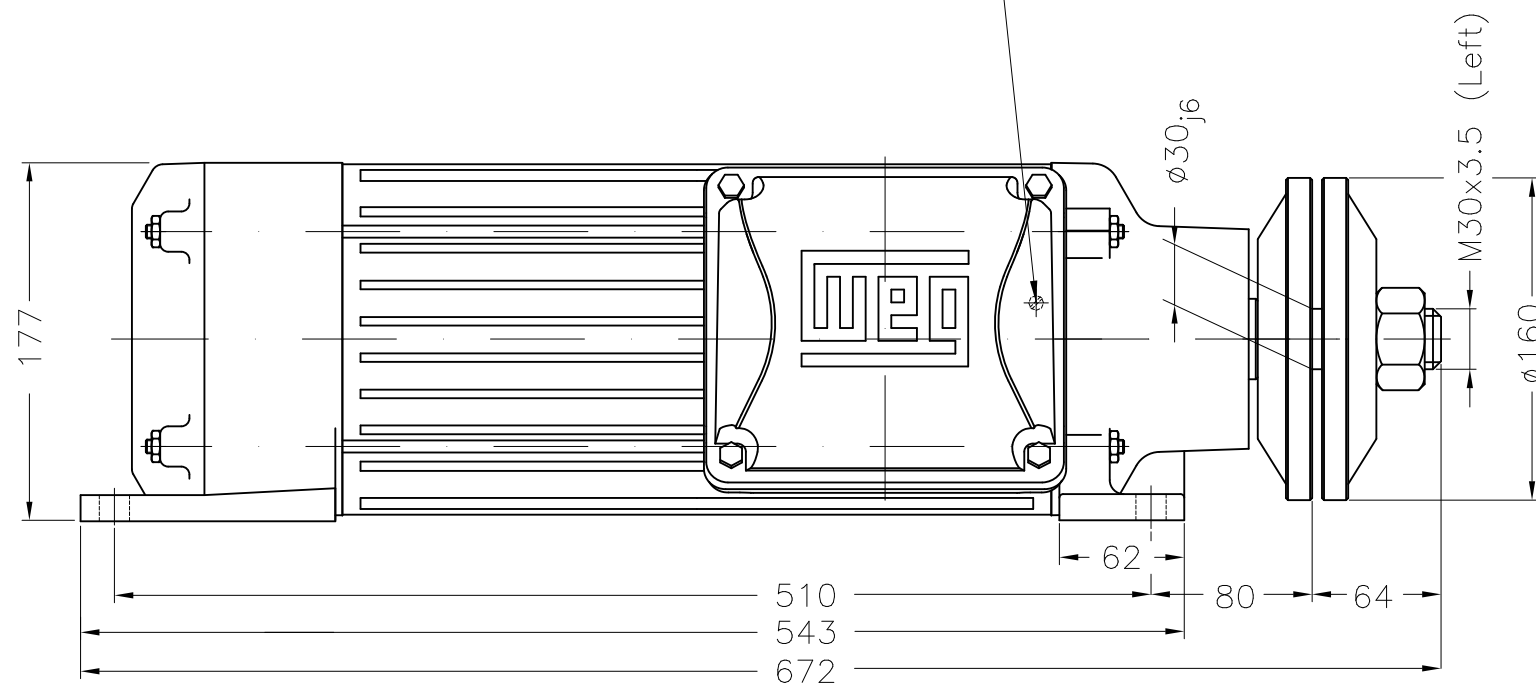


Dimensões em mm
Dimensions in mm

THIS IS AN UPDATED REVISION, THE
PREVIOUS ONE MUST BE DISREGARDED.



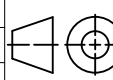
Grounding for leads 2-10 mm² / 14-7 AWG



Color RAL 7022

Painting plan 207A

Mounting B3R(D)

| ECM | LOC | SUMMARY OF MODIFICATIONS | | | EXECUTED | CHECKED | RELEASED | DATE | VER |
|----------|------------|---|-----------------------------|---------------------|----------|---------|----------|------|-----|
| EXECUTED | USERADMIN |  | THREE PHASE SAW ARBOR MOTOR | | | | | | |
| CHECKED | | | FRAME 90L/MS IP54 TEFC | | | | | | |
| RELEASED | | | WEG code: 10021962 | | | | | | |
| REL DT | 24.07.2017 | WMO | Jaragua do Sul | Product Engineering | SHEET | 1 / 1 | | | |

7.5 HP 04 Poles 60Hz

A

