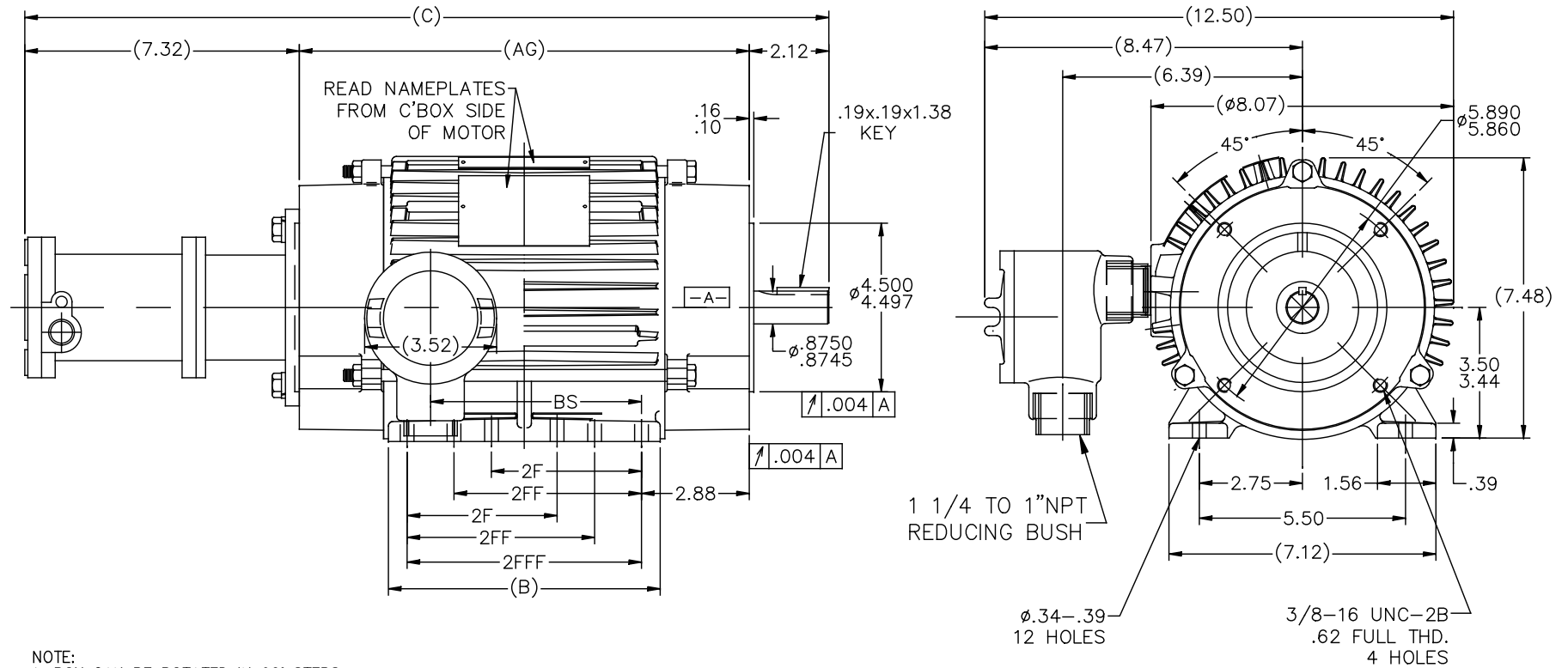


108505



NOTE:
 1. BOX CAN BE ROTATED IN 90° STEPS.
 2. BOX CAN BE MOUNTED ON OPPOSITE SIDE BY REMOVING BRACKETS & TURNING FRAME 180°.

DASH	FR.	C	AG	B	BS	2F	2FF	FFF
750	143/5	21.44	12.00	7.25	5.62	4.00	5.00	6.25

REVISION		BY & DATE		TOLERANCES UNLESS SPECIFIED		REGAL™ Regal Beloit America, Inc.		DRAWN AS 12/16/16				
NO.	DESCRIPTION	CHK	ANG	DEC.	INCHES	FINISH	MAT'L	CHK	PAGE			
A	NEW DRAWING FOR ABOVE 1HP, ECO-0115030	AS	12/16/16	.X	±.1			AB	12/16/16			
				.XX	±.03			APPD	AB 12/16/16			
				.XXX	±.005		TITLE OUTLINE - C'FACE		SCALE 3=8			
				.XXX	±.0005		140TC FR. - EPNV - BEI H38 TACH.		REF 104881			
				CHK	ANG ±7'30"				FMF			
				RFP					PREV			
THIS DRAWING IN DESIGN AND DETAIL IS OUR PROPERTY AND MUST NOT BE USED EXCEPT IN CONNECTION WITH OUR WORK. ALL RIGHTS OF DESIGN AND INVENTION ARE RESERVED. THIS IS AN ELECTRONICALLY GENERATED DOCUMENT - DO NOT SCALE THIS PRINT								CAD FILE 108505	SIZE B	DRAWING NO. 108505	PAGE OF	REV. A