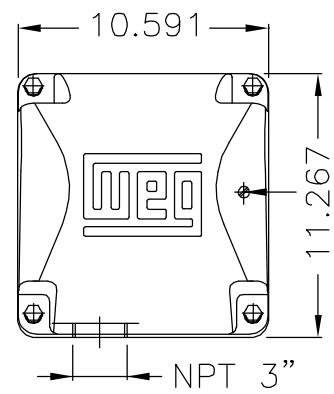


EIXO/SHAFT	
PADRÃO/STANDARD	X
OPCIONAL/OPTIONAL	
ESPECIAL/SPECIAL	

Dimensões em polegadas  
Dimensions in inches

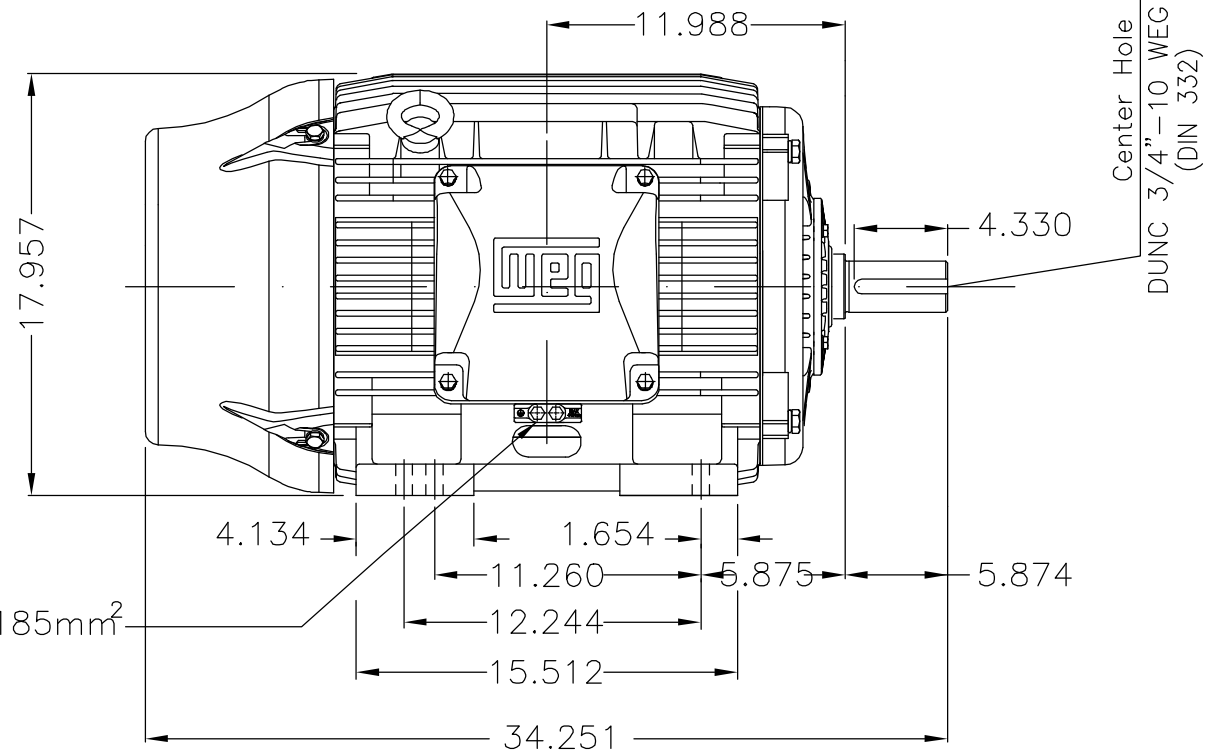
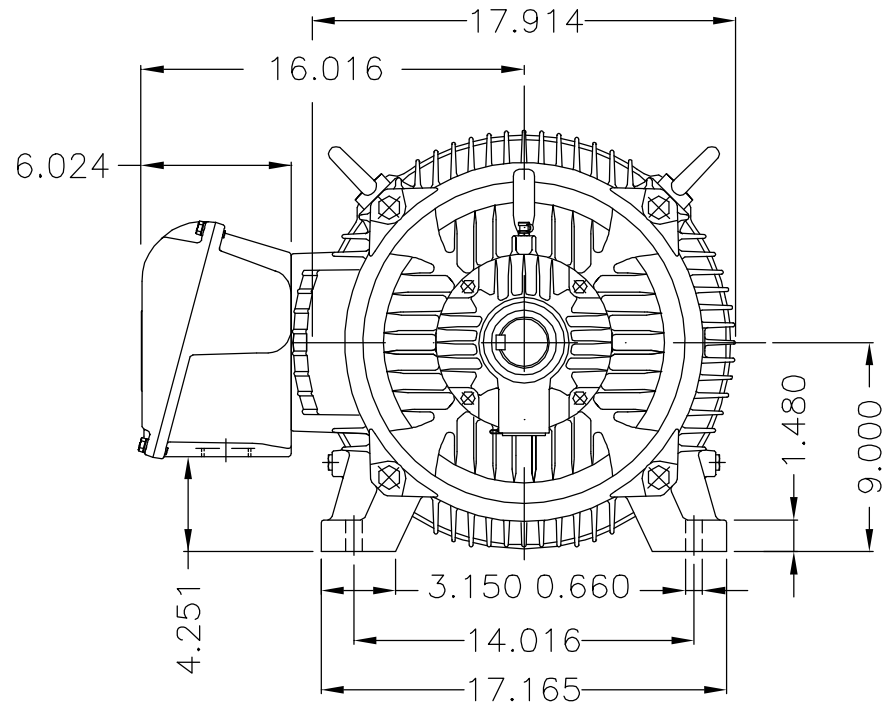
**CERTIFIED WEG MOTORES**  
Certified document.  
Not subject to changes.

THIS IS AN UPDATED REVISION, THE PREVIOUS ONE MUST BE DISREGARDED.



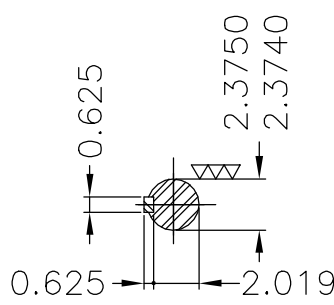
Main terminal box

Grounding for leads 25-50mm<sup>2</sup>



Center Hole  
DUNC 3/4"-10 WEG TBG12  
(DIN 332)

Grounding for leads 25-185mm<sup>2</sup>



DE Shaft End

Kit porta escova de aterramento AEGIS SGR-82.1-3MFH / Brush holder kit AEGIS SGR-82.1-3MFH						
Anel interno especial de fixação do rolamento dianteiro / Special internal fastening bearing cap of DE bearing						
Plano de pintura 203A / Painting plan 203A						
Forma construtiva NEMA F-1 / Mounting NEMA F-1						
Forma construtiva B3D / Mounting B3R(D)						
<b>WEG ELECTRIC CORPORATION - WEC</b>						

500001293996		ATUALIZADO COTA H-H	AFILHO	MENSOR	10.04.2017	03
500000846377		ATUALIZADO ATERRAMENTO	MENSOR	DIEGOU	31.03.2017	02
ECM	LOC	SUMMARY OF MODIFICATIONS	EXECUTED	CHECKED	RELEASED	DATE VER
EXECUTED	SCARMAGNANI	THREE PHASE W22 MOTOR - NEMA PREMIUM EFF FRAME 364/5T IP55	10002805139			ZME A3
CHECKED			000	03		
RELEASED	DAYANAR		SHEET 1 / 1			
REL DT	09.04.2014	WMO	JARAGUA DO SUL	ENGENHARIA DE PRODUTO		

50 HP	06 Poles	60Hz	413384811/0	MEC	B
40 HP	06 Poles	60Hz	413384809/0	MEC	A