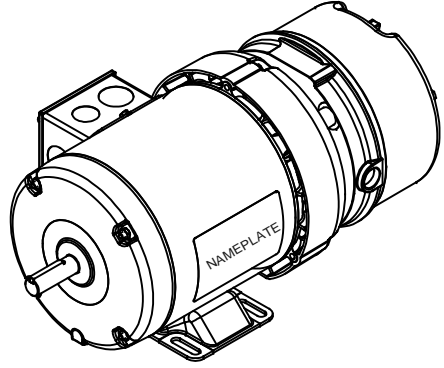
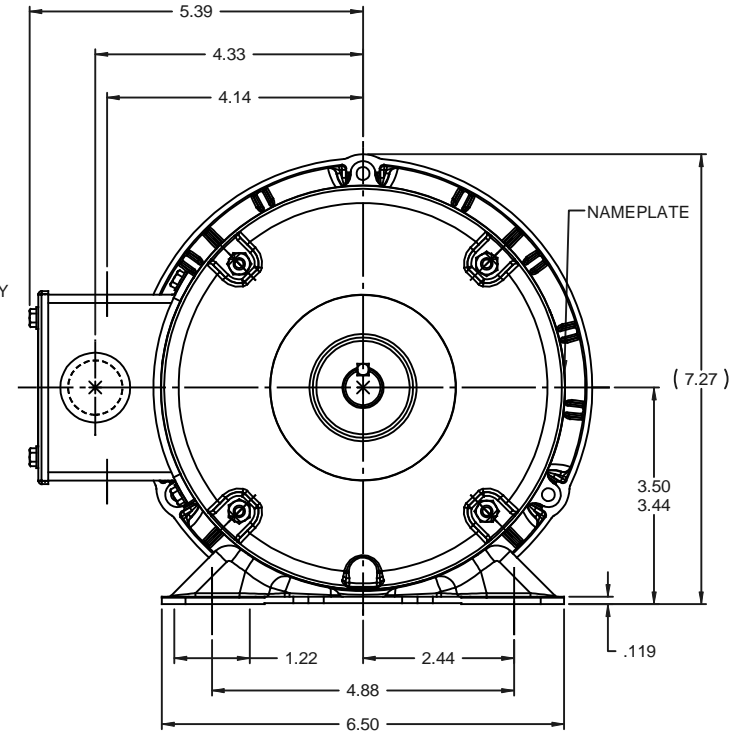
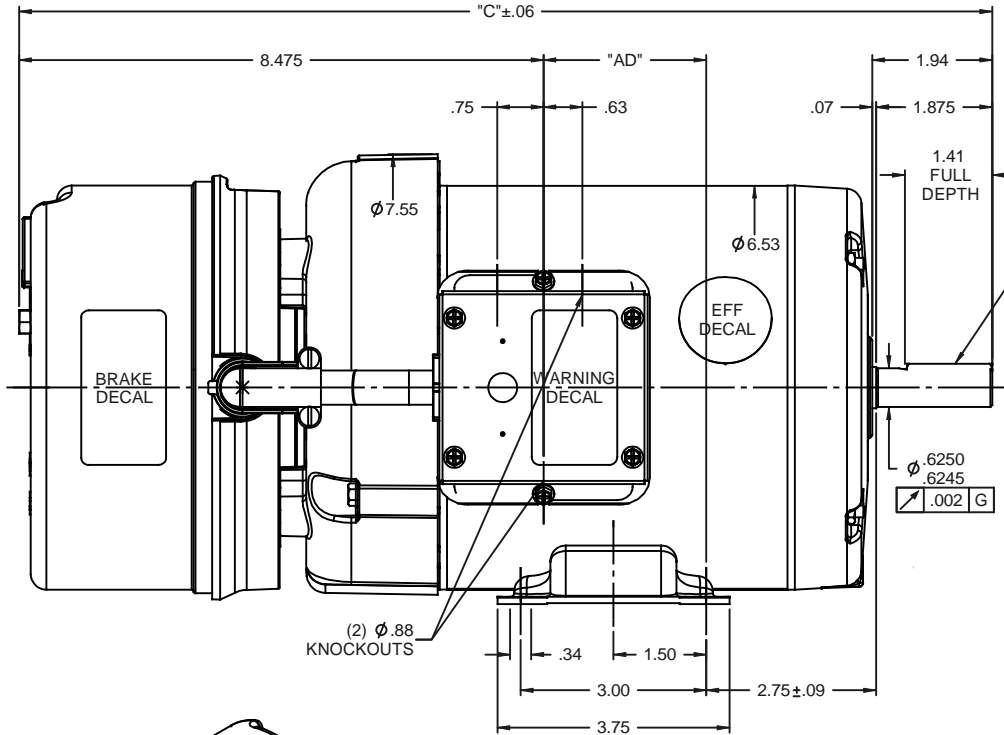


RBC PROPRIETARY AND CONFIDENTIAL INFORMATION
 This document is the property of REGAL BELOIT CORPORATION ("RBC") including its subsidiaries and divisions and contains proprietary information of RBC. This document is loaned on the express condition that neither it nor the information contained therein shall be disclosed to others without the express written consent of RBC, and that the information shall be used by the recipient only as approved expressly by RBC. This document shall be returned to RBC upon its request. This document may be subject to certain restrictions under U.S. export control laws and regulations.



| DASH NO. | "C" | "AD" |
|----------|-------|------|
| 500 | 15.23 | 2.13 |
| 550 | 15.73 | 2.63 |
| 600 | 16.23 | 3.13 |
| 650 | 16.73 | 3.63 |
| 700 | 17.23 | 4.13 |

NOTE:
 1) GASKETS THROUGHOUT

| | | | | | | |
|------------------------|--|-------------------|------------------------------|--|----------|--------------------|
| REVISION | | BY & DATE | CHK ANG ±1/2° | FINISH | PAGE OF | |
| THIRD ANGLE PROJECTION | | RFP 12/19/08 | PREV | | SIZE | DRAWING NO |
| | | NETWORK FILE NAME | | | B | 028936 |
| | | | TOLERANCES UNLESS SPECIFIED: | ELECTRIC MOTORS GEARMOTORS AND DRIVES | | DRAWN GRB 12/19/08 |
| | | | DEC INCHES | TITLE OUTLINE - 56 FRAME | | CHK DJ 12/19/08 |
| | | | x ±.1 | T.E.F.C. - RIGID | | APPR DJ 12/19/08 |
| | | | .xx ±.03 | MATL BRAKEMOTOR | | SCALE 1:2 |
| | | | .xxx ±.005 | | | REF 028530 |
| | | | .xxx± ±.0005 | | | FMF 114146.00 |