

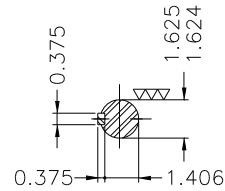
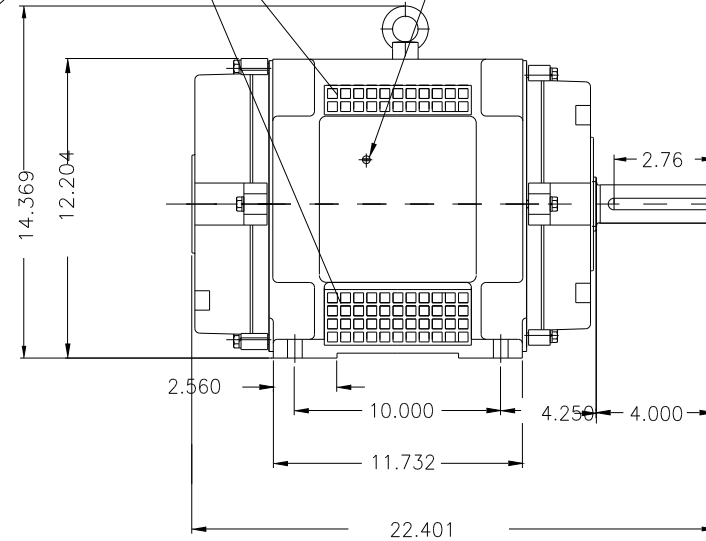
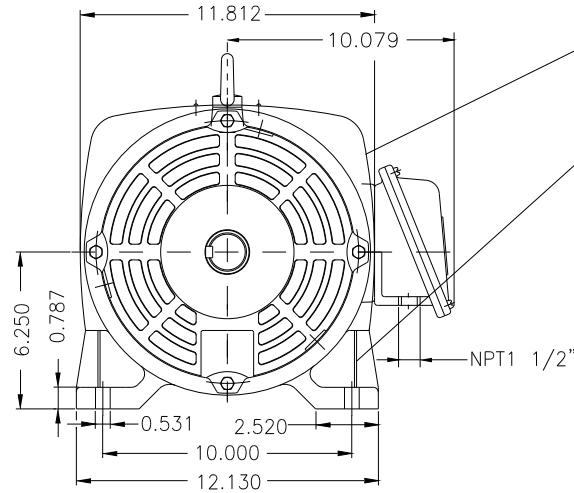
A MENOS QUE HAJA AUTORIZAÇÃO
PREVIA NAO SERÁ PERMITIDO A
REPRODUÇÃO DESTE DESENHO
DE PROPRIEDADE DA
WEG MOTORES

EIXO	
PADRÃO	X
OPCIONAL	
ESPECIAL	

THIS IS AN UPDATED REVISION, THE PREVIOUS
ONE MUST BE DISREGARDED.

Tela de protecao / Screen protection

Grounding for leads 5.2-25 mm²



Carcaca especial / Special frame		Isolamento classe F (Dl=80K) / Class F insulation - 80K temperature rise		Categoria D / Design D		Fator de Serviço 1.00 / Service factor 1.00		Forma Construtiva B3E / Mounting - B3L(E)	
----	---	ALT. DESIGN DA CARÇAÇA	DALMOW	CASSIO	30.09.03	02			
WEX889	---	ALT. FATOR DE SERVIÇO 1.00 ERA 1.15	KLEIN	CASSIO	16.06.03	01			
RLM	LOC	ENGINEERING CHANGES	DRAWN	REVIEWED	RELEASED	DATE	IND		
DRAWN	ADRIANAP								
REVIEWED	<i>Rudi</i>								
RELEASED			CUSTOMER						
DATE	11/2/2003		WEG ELECTRIC MOTORS CORP.				SCALE: %		
10 HP 6 POLE 60Hz X686.03.02 MEC		THREE PHASE OIL WELL PUMP. MOTOR		E4007742		PE			
		FRAME 256T IP23							