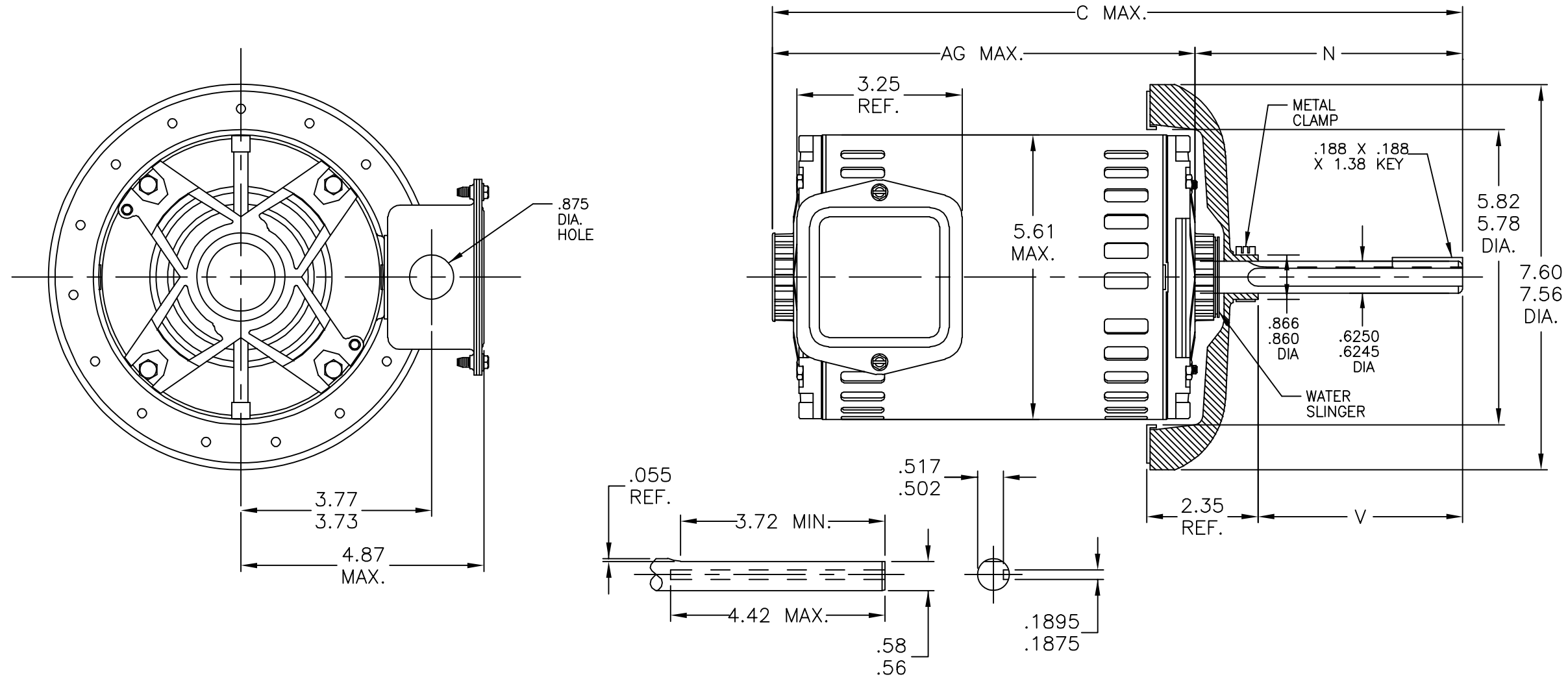


52B211501



1	K,KCP	39	48Z	15.87	5.67 5.61	10.21	3.69 3.59	8.50
P	TYPE	RBC SIZE	NEMA FR	C	N	AG	V	SHELL LGTH.

		TOLERANCES UNLESS SPECIFIED		DRAWN DURGA 06/07/04	
		DEC.	INCHES	CHK DURGA 06/07/04	
		.X	±0.1	APPD DURGA 06/07/04	
		.XX	±0.02	SCALE 1:1	
2	C, N, AG, V DIM. CHG. PER ECO-0059175	KR 09/01/14	PVK .XXX	±0.005	REF
1	UPDATED FORMAT	MAM 11/02/05	.XXXX	±0.0005	FMF
NO. REVISION		BY & DATE	CHK ANG	±1	PREV
THIS DRAWING IN DESIGN AND DETAIL IS OUR PROPERTY AND MUST NOT BE USED EXCEPT IN CONNECTION WITH OUR WORK ALL RIGHTS OF DESIGN AND INVENTION ARE RESERVED THIS IS AN ELECTRONICALLY GENERATED DOCUMENT - DO NOT SCALE THIS PRINT			RFP	CAD FILE 52B211501	SIZE B
			FINISH	DRAWING NO. 52B211501	REV. 2
			DIST		



REGAL-BELOIT CORPORATION  
TITLE: OUTLINE  
FROM N - SPECIAL PURPOSE MOTOR PARTS - OPEN - BALL BRG.