

# Product Information Packet

November 8, 2016

Data shown is for the current revision model #. Ensure your nameplate model # matches.

<b>Model Number:</b>	<b>5KS182SAA305D1</b>
<b>Catalog Number:</b>	<b>M9702</b>
<b>Instruction Manual:</b>	GEI-56128
<b>Connection Diagram:</b>	GEM2034E-FIG3
<b>Outline Drawing:</b>	4002B5818PAP5201

<b>Accessory Connection Diagrams</b>			
<b>Bearing Thermocouple:</b>	None	<b>Heater:</b>	None
<b>RTD:</b>	None	<b>Thermistor:</b>	None
<b>Thermostat:</b>	None	<b>Winding Thermocouple:</b>	None
<b>Bearing RTD:</b>	None		

## Table of Contents

Specification	01
Performance Characteristics	02
Outline Drawing	03
Connection Drawing(s)	04
Spare parts	05



**Marks:**

<b>MODEL NUMBER:</b>	<b>5KS182SAA305D1</b>	<b>Estimated Weight:</b>	76 Lbs
<b>Outline Drawing:</b>	4002B5818PAP5201	<b>Time Rating:</b>	CONT
<b>Connection Diagram:</b>	GEM2034E-FIG3	<b>Enclosure:</b>	TEFC
<b>Instruction Book:</b>	GEI-56128	<b>Encl Construction:</b>	X\$D
<b>Design Code:</b>	18BD3001A	<b>Ambient Max(°C):</b>	40
<b>Type:</b>	KS	<b>Alt Ambient Max(°C):</b>	65
<b>Frame:</b>	182T	<b>Insulation Class:</b>	H
<b>Phases:</b>	3	<b>NEMA Design:</b>	B
<b>Poles:</b>	6	<b>Nominal Efficiency:</b>	87.5 %
<b>Output Power:</b>	1.5HP 1.1KW	<b>Guaranteed Efficiency:</b>	86.5
<b>RPM:</b>	1170	<b>3/4 Load Efficiency:</b>	88.2
<b>Voltage:</b>	230/460	<b>KVA Code:</b>	M
<b>Hertz:</b>	60	<b>Max KVAR:</b>	1.0
<b>Amps - FL:</b>	4.8/2.4	<b>Power Factor:</b>	68.0
<b>Service Factor:</b>	1.25	<b>Bearing - DE:</b>	6206ZC3
<b>Alt Service Factor:</b>	1.00	<b>Bearing - ODE:</b>	6206ZC3

**Enclosure is Totally Enclosed Fan-Cooled**

---

**Stamped Nameplate Notes:**

SF AMPS 5.4/2.7

STAMP NP249A5564P051 AS BELOW:

MODEL:5KS182SAA305D1 S/N: XXX

CSA CERTIFIED CSA09.2216219 FOR EX NA IIC 200C GC

CL 1 ZONE2 AEX NA IIC 200C;CL 1 DIV2 GRP ABCD 200C

IN -40C <= AMB <= 40C, 1.0 SF ON SINE-WAVE PWR

SURF TEMP 200C AT 1.25SF ON SINE-WAVE PWR

OR 200 C VT OR 200 C CT OR 200 C CHP PWM CONTROL

ALTERNATE RATING FOR PWM CONTROL 1.0SF 40C AMB

VT 0-60 HZ, CT 3-60 HZ , CHP 60-90 HZ.

**Additional Information:**

6P - T EXTN

STANDARD FLOOR MOUNT

C/BOX 30 CU IN-0.75 NPT

F1 CONDUIT BOX MOUNTING

OIL RESISTANT SLEEVING ON LEADS



**Performance Characteristics**

1st Winding 1st Connection

**Design: 18BD3001A**

**Marks:**

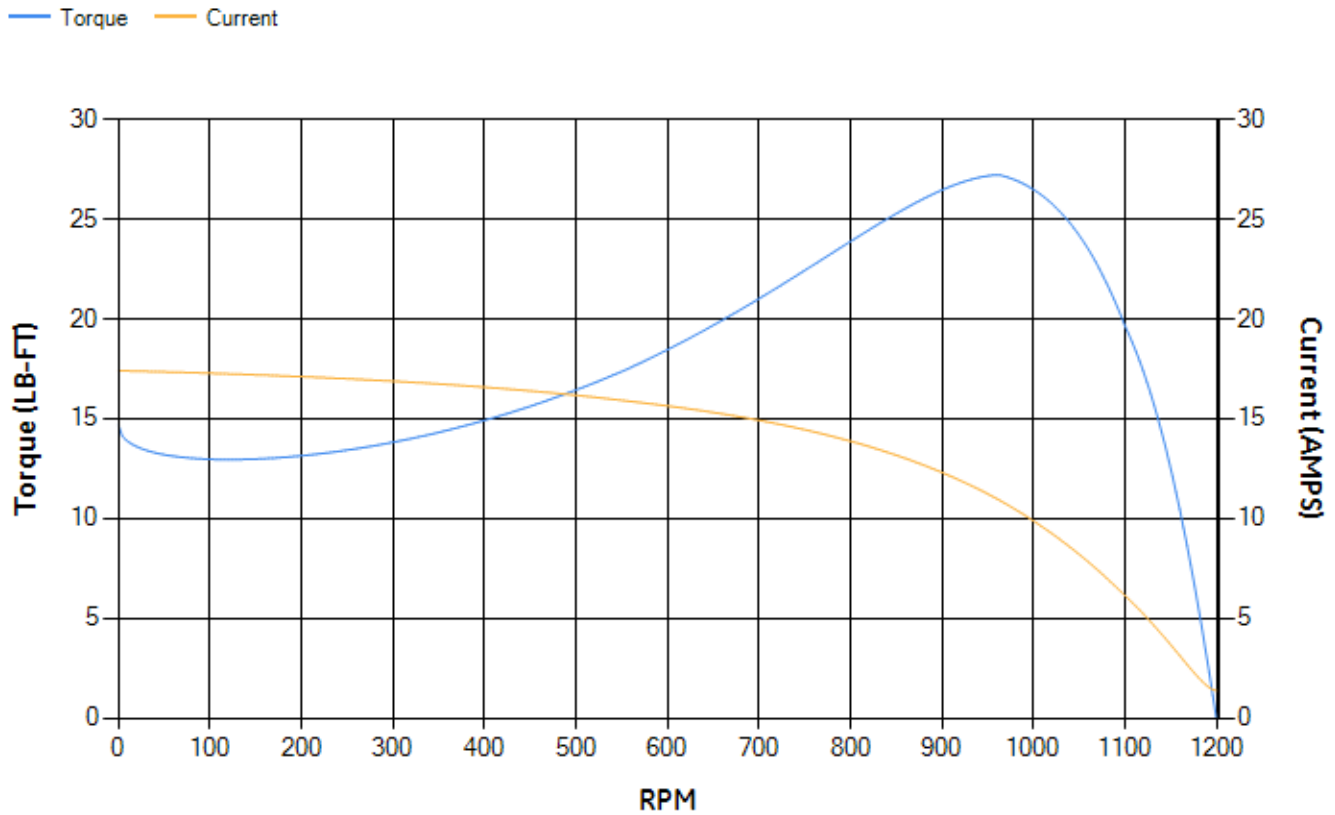
LOAD %	125.0	115.0	100.0	75.0	50.0	25.0	0.0
% EFF	87.54	87.89	88.45	88.19	86.52	79.53	0.00
% PF	73.63	71.73	69.93	59.69	46.9	28.68	5.86
AMPS	2.72	2.56	2.27	2	1.73	1.54	1.37

<b>TORQ(FL)#FT</b>	6.72	<b>TORQ(LR)%FL</b>	218.46	<b>TORQ(BD)%FL</b>	396.13
<b>AMPS(LR)</b>	17.41	<b>PF AT START</b>	0.46		

This motor is capable of two cold or one hot start with a maximum connected load inertia of 260 Lb-Ft Sq (10.95 Kg-meter Sq)at 100% voltage, where the load torque varies with the square of the speed. Acceleration time with maximum inertia and the above load type is 63 seconds. Safe stall time at 100% voltage is 139 seconds cold, 117 seconds hot. Rotor inertia is 0.35 Lb-Ft Sq (0.01 Kg-meter Sq).

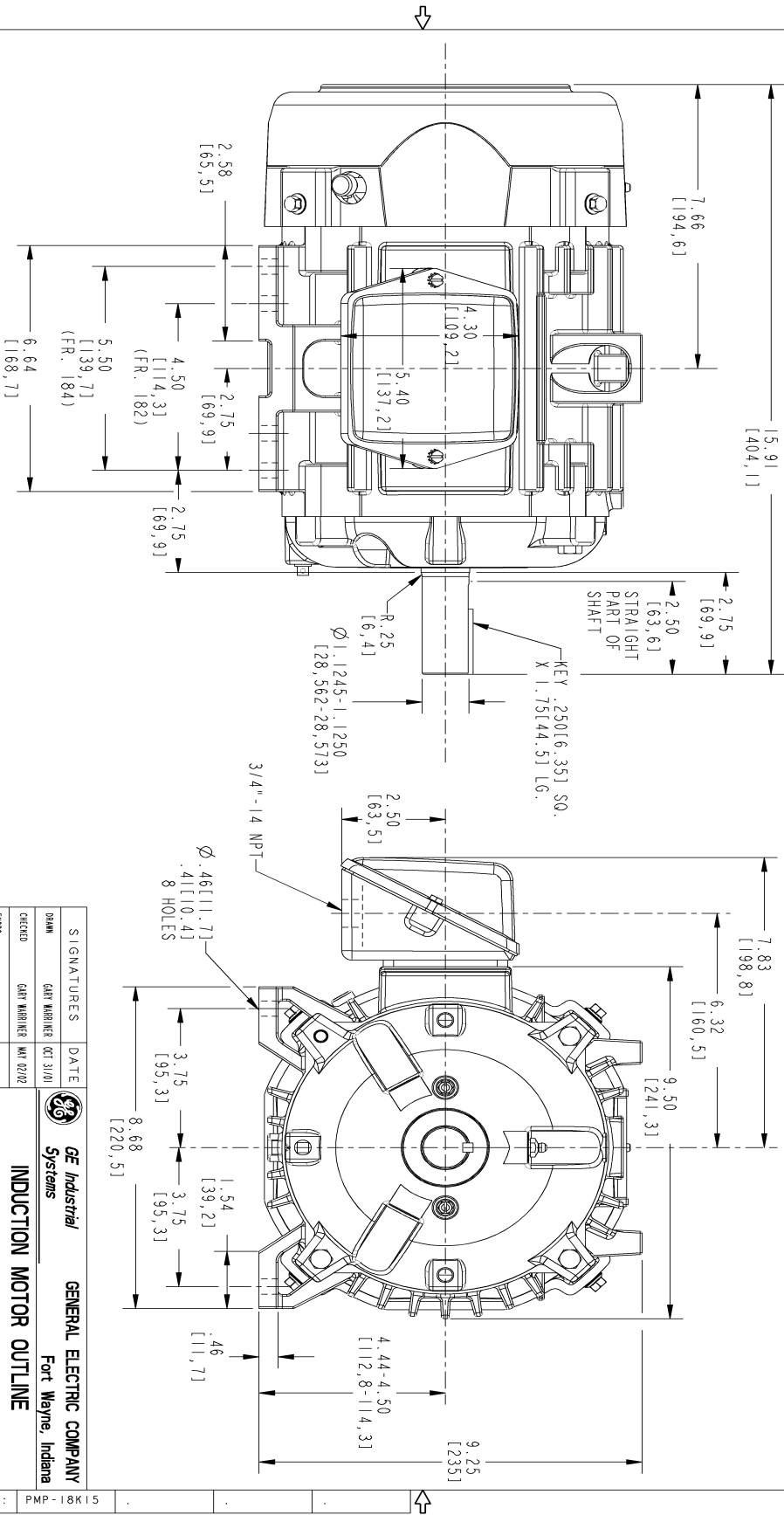
<b>Open Circuit A-C:</b>	0.162	<b>Short Circuit D-C:</b>	0.008
<b>Short Circuit A-C:</b>	0.011	<b>X/R Ratio:</b>	3.204
<b>Stator Slots:</b>	36	<b>Rotor Slots:</b>	48

**Speed Torque Current Curve (First Connection, First Speed)**



Marks:

NOTE 1: CONDUIT BOX MAY BE ASSEMBLED WITH ENTRANCE UP, DOWN OR TO EITHER SIDE.  
 NOTE 2: F1 ASSEMBLY AS SHOWN. F2 ASSEMBLY CONDUIT BOX ON OPPOSITE SIDE FROM SHOWN LOCATION.



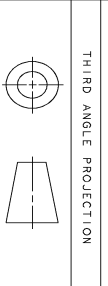
SIZE DRAWING NO. 4002B5818PAP5201 SH 4 REV 4

REVISIONS			
REV.	DESCRIPTION	DATE	APPROVED
1	DUAL DIMENSION ADDED SWITCH	11/22/07	HEMANTH
2	ISAC# 12-0387	04/14/2012	HARIKIRAN
3	ISAC#14-0583	07/17/14	MAAYATHA
4	ISAC#15-0206	03/05/15	VJ JAY

SIGNATURES		DATE	
DRMAN	GARY WARRNER	OCT 31/01	
CHECKED	GARY WARRNER	MAY 02/02	
ENGR			
ISSUED	GARY WARRNER	MAY 02/02	
APPLIED PRACTICES			
SIZE DRAWING		REV.	
B		4	
SCALE: 0.400 REF. NO.: 4002B5818PAP201 SHEET 0F 1			

**GE Industrial Systems**  
**GENERAL ELECTRIC COMPANY**  
 Fort Wayne, Indiana

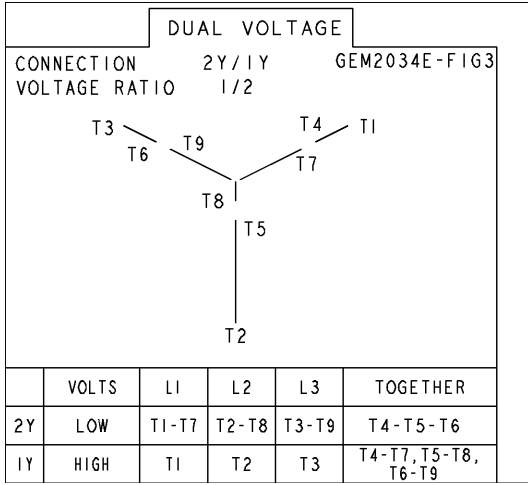
**INDUCTION MOTOR OUTLINE**  
 STANDARD CONSTRUCTION  
 FME: FR180T TEFC



DISTRIBUTION: PMP-18K15

Marks:

**Connection Diagram**  
**GEM2034E-FIG3**



End shield Assembly		
Part Description	DE Side Part#	ODE Side Part#
End Shield	4004D5281PB1	4004D5281SG1
Bearing	235A2602AA01	235A2602AA01
Slinger/Inproseal	149C4399G16	149C4399G16

Fan & Fan Cover Assembly	
Part Description	Part#
Fan	4001A5914AM-G01
Fan Cover	4003C5786PA1

Conduit & Accessories Box Assembly	
Part Description	Part#
Conduit Box	4002B5718PA-G01

Mechanical Accessories	
Part Description	Part#
Brake	
Tachometer	