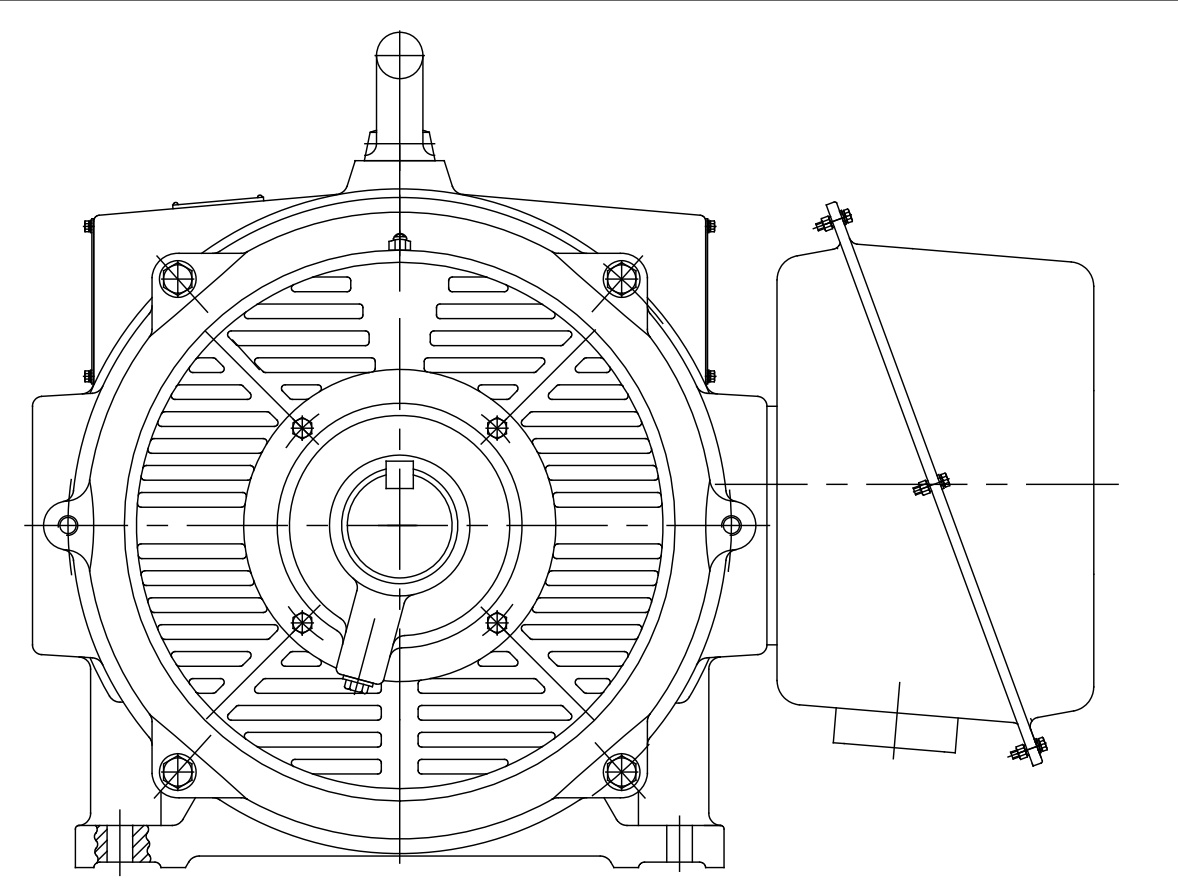


F2 MOUNTING



444T				
445T	44.57	25.2	14.5	16.5
447T				
449T	49.69	30.31	20	25
Frame	C	B	2F1	2F2

		TOLERANCES UNLESS SPECIFIED		REGAL REGAL-BELOIT CORPORATION		DRAWN ZXW 07-21-2016	
		DEC.	INCHES			CHK	
		.X	±.1	TITLE		SCALE NONE	
		.XX	±.03	444/445/447/449T FR - ODP - CAST IRON		REF	
		.XXX	±.005	MAT'L.		FMF WUXI	
		.XXXX	±.0005	FINISH		PREV	
NO.	REVISION	BY & DATE	CHK	ANG	±7'30"		
			RFP		CAD FILE SS620758	SIZE	DRAWING NO. PAGE 1 OF 1 REV.
			DIST			B	SS620758

THIS DRAWING IN DESIGN AND DETAIL IS OUR PROPERTY AND MUST NOT BE USED EXCEPT IN CONNECTION WITH OUR WORK ALL RIGHTS OF DESIGN AND INVENTION ARE RESERVED THIS IS AN ELECTRONICALLY GENERATED DOCUMENT - DO NOT SCALE THIS PRINT