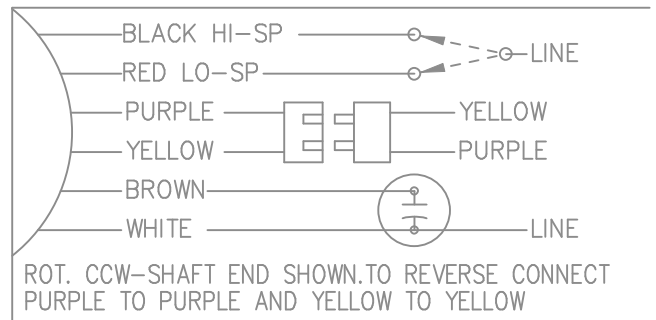


LEAD DESCRIPTION:
 1 WHITE, 1 BLACK, 1 RED, 1 BROWN W/.25
 FLAG TYPE QUICK CONN. 46.00-44.00 LONG

REVERSING LEADS ARE MOLDED INTO MATING
 PULL APART PLUGS - ONE PURPLE AND ONE
 YELLOW PER PLUG 4.0-6.0 LONG



DASH	FR	C
425	48	8.25

				TOLERANCES UNLESS SPECIFIED		<p>MARATHON ELECTRIC</p>	DRAWN GRB 05-07-2008				
				DEC.	INCHES		CHK	SP 05-07-2008			
				.X	±.1		APPD	SP 05-07-2008			
				.XX	±.03		SCALE	7=16			
				.XXX	±.005		REF				
				.XXXX	±.0005	MAT'L.	FMF				
NO.	REVISION	BY & DATE	CHK	ANG	±7'30"	FINISH	PREV				
THIS DRAWING IN DESIGN AND DETAIL IS OUR PROPERTY AND MUST NOT BE USED EXCEPT IN CONNECTION WITH OUR WORK ALL RIGHTS OF DESIGN AND INVENTION ARE RESERVED THIS IS AN ELECTRONICALLY GENERATED DOCUMENT - DO NOT SCALE THIS PRINT				RFP	CAD FILE	SS403712	SIZE	DRAWING NO.	PAGE	OF	REV.
				DIST	WP		A	SS403712			