

# Product Information Packet

April 26, 2017

Data shown is for the current revision model #. Ensure your nameplate model # matches.

<b>Model Number:</b>	<b>5KS444DAJ6025A</b>
<b>Catalog Number:</b>	<b>V4428</b>
<b>Instruction Manual:</b>	GEK-95352
<b>Connection Diagram:</b>	GEM2034E-FIG24
<b>Outline Drawing:</b>	148CB44VMJKCCAA0001

Accessory Connection Diagrams			
<b>Bearing Thermocouple:</b>	None	<b>Heater:</b>	3027JE-1C
<b>RTD:</b>	None	<b>Thermistor:</b>	None
<b>Thermostat:</b>	None	<b>Winding Thermocouple:</b>	None
<b>Bearing RTD:</b>	None		

## Table of Contents

Specification	01
Performance Characteristics	02
Outline Drawing	03
Connection Drawing(s)	04
Spare parts	05



**Marks:**

<b>MODEL NUMBER:</b>	<b>5KS444DAJ6025A</b>	<b>Estimated Weight:</b>	2490 Lbs
<b>Outline Drawing:</b>	148CB44VMJKCCAA0001	<b>Time Rating:</b>	CONT
<b>Connection Diagram:</b>	GEM2034E-FIG24	<b>Enclosure:</b>	WPI
<b>Instruction Book:</b>	GEK-95352	<b>Encl Construction:</b>	OPEN
<b>Design Code:</b>	44BD1167AB	<b>Ambient Max(°C):</b>	40
<b>Type:</b>	KS	<b>Alt Ambient Max(°C):</b>	--
<b>Frame:</b>	L444TP20	<b>Insulation Class:</b>	H
<b>Phases:</b>	3	<b>NEMA Design:</b>	B
<b>Poles:</b>	4	<b>Nominal Efficiency:</b>	95.8 %
<b>Output Power:</b>	200HP 148KW	<b>Guaranteed Efficiency:</b>	95.0
<b>RPM:</b>	1780	<b>3/4 Load Efficiency:</b>	96.0
<b>Voltage:</b>	460	<b>KVA Code:</b>	G
<b>Hertz:</b>	60	<b>Max KVAR:</b>	59.1
<b>Amps - FL:</b>	230.0	<b>Power Factor:</b>	85.0
<b>Service Factor:</b>	1.15	<b>Bearing - DE:</b>	6217C3
<b>Alt Service Factor:</b>	--	<b>Bearing - ODE:</b>	235A2536AB01

**Enclosure is Weather Protected One**

---

**Stamped Nameplate Notes:**

HTR LDS HE1-HE2 115V 145W  
 ROT CCW FACING ODE LEAD/PH SEQ 1-2-3/1-2-3  
 INVERTER DUTY PER NEMA MG1 PART 31  
 ALTERNATE RATING FOR PWM CONTROL:1.0SF 40C AMBIENT  
 VAR TORQUE RANGE 5-60 HZ  
 SUITABLE FOR 150 HP, 380V, 50 HZ WITH  
 210.0 AMPS AND 1485 RPM AT 1.0 SF

**Additional Information:**

4 POLE, VERT HOLLOW SHAFT HIGH THRUST (2D)  
 SPECIAL BALANCE  
 700 CU IN - 3.00" NPT  
 BEARING LIFE 8760 HRS AT 21100 LB THRUST  
 C/B GRD PLATE  
 OIL RESISTANT SLEEVING ON LEADS  
 115V HTR LDS TO MAIN CONDUIT BOX  
 COUPLING NOT INCLUDED IN BOM, WILL BE  
 ORDERED SEPERATELY  
 PART WINDING START

**Performance Characteristics**

1st Winding 1st Connection

**Design: 44BD1167AB**

**Marks:**

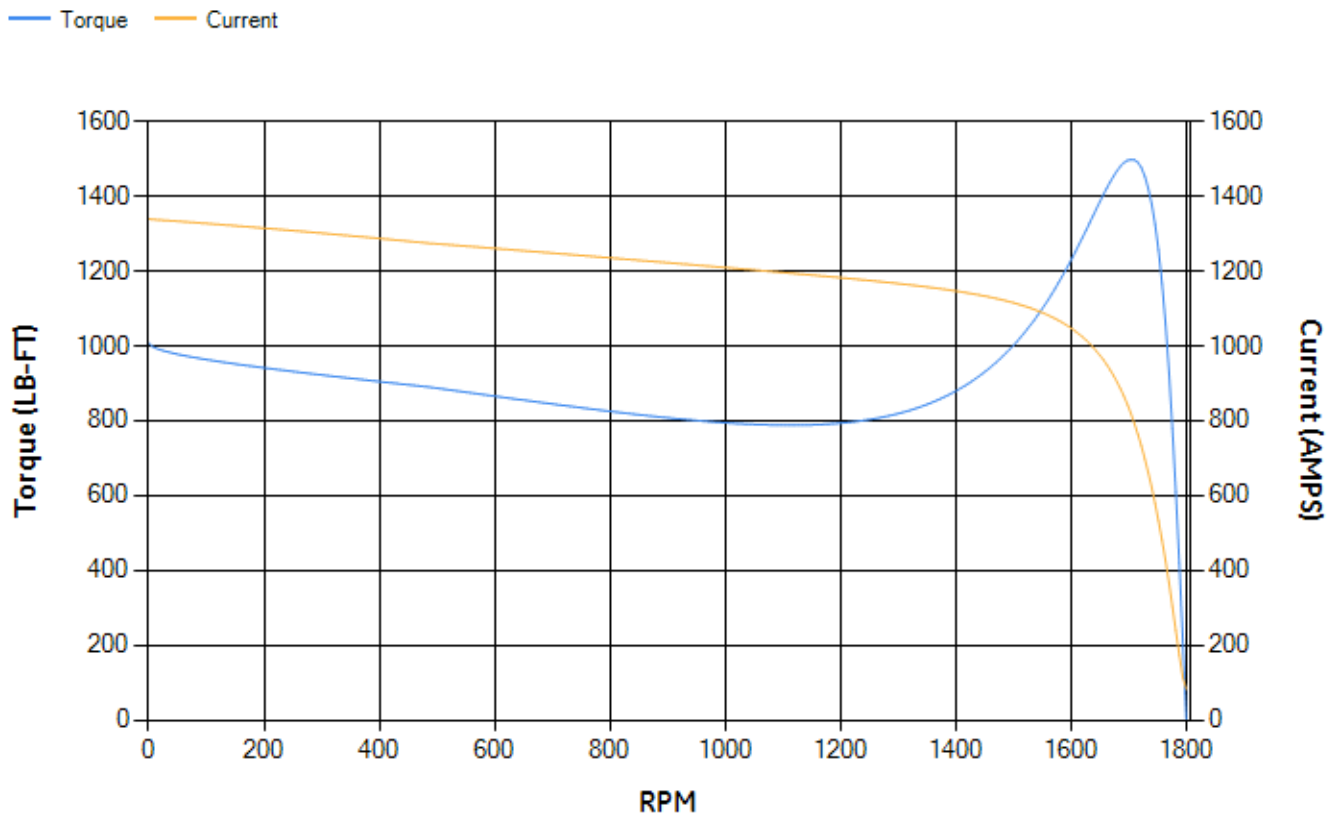
LOAD %	125.0	115.0	100.0	75.0	50.0	25.0	0.0
% EFF	94.44	94.66	95.12	95.1	94.63	91.86	0.00
% PF	86.51	86.2	85.27	81.75	73.08	51.24	4.35
AMPS	286.4	263.81	230.79	180.59	135.35	99.42	82.43

<b>TORQ(FL)#FT</b>	589.49	<b>TORQ(LR)%FL</b>	171	<b>TORQ(BD)%FL</b>	253.7
<b>AMPS(LR)</b>	1338.65	<b>PF AT START</b>	0.33		

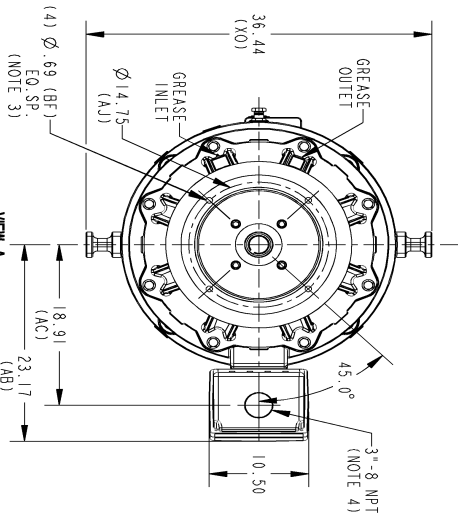
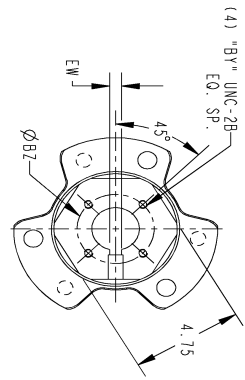
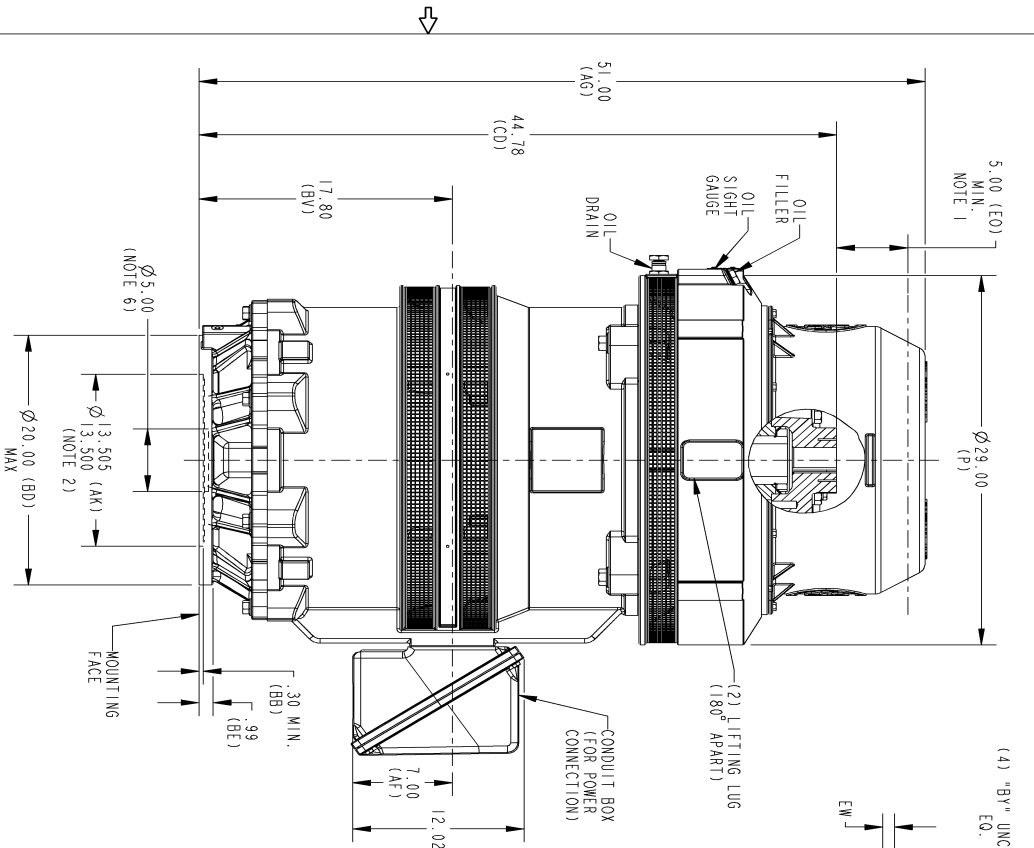
This motor is capable of two cold or one hot start with a maximum connected load inertia of 2322 Lb-Ft Sq (97.76 Kg-meter Sq)at 100% voltage, where the load torque varies with the square of the speed. Acceleration time with maximum inertia and the above load type is 19 seconds. Safe stall time at 100% voltage is 40 seconds cold, 23 seconds hot. Rotor inertia is 54.77 Lb-Ft Sq (2.31 Kg-meter Sq).

<b>Open Circuit A-C:</b>	0.69	<b>Short Circuit D-C:</b>	0.027
<b>Short Circuit A-C:</b>	0.039	<b>X/R Ratio:</b>	10.283
<b>Stator Slots:</b>	72	<b>Rotor Slots:</b>	58

**Speed Torque Current Curve (First Connection, First Speed)**



Marks:



- NOTES:
1. THE TOTAL HEIGHT OF PUMP SHAFT AND LOCKING NUT ABOVE COUPLING MUST NOT EXCEED THIS DIMENSION.
  2. TOLERANCE ON FACE RUNOUT AND PERMISSIBLE ECCENTRICITY OF MOUNTING RABBET ARE .007 T.1.R
  3. CENTRE OF MOUNTING BOLTS WITHIN 0.025 OF ANGULAR & DIAMETRICAL LOCATION WITHIN REFERENCE TO THE CENTRINE OF MOUNTING RABBET.
  4. PROVIDED MONTING CONDITIONS PERMIT, CONDUCIT BOX MAY BE TURNED SO THAT ENTRANCE CAN BE MADE UPWARD, DOWNWARD OR FROM EITHER SIDE.
  5. FOR ESTIMATING ONLY UNLESS ENDORSED FOR CONSTRUCTION.
  6. MAINTAIN MINIMUM CLEARANCE FOR SHAFT SLINGER.

DIMENSIONS IN INCHES  
NEMA TYPE P BASE

COUPLING DIMENSIONS		KEY WAY			
BX	BY	BZ	EW	R	XW
1.501	1/4-20	2.125	.315	1.569	.562
1.688	1/4-20	2.500	.375	1.859	.562
1.751	1/4-20	2.500	.375	1.922	.562
1.813	1/4-20	2.500	.500	2.033	.688
1.938	1/4-20	2.500	.500	2.160	.688
2.001	3/8-16	3.250	.500	2.223	.688
2.063	3/8-16	3.250	.500	2.287	.688
2.126	3/8-16	3.250	.500	2.350	.688
2.188	3/8-16	3.250	.500	2.414	.688
2.251	3/8-16	3.250	.500	2.477	.688
2.316	3/8-16	3.250	.500	2.550	.688
2.438	3/8-16	3.250	.625	2.715	.812
2.501	3/8-16	3.250	.625	2.777	.812



THIRD ANGLE PROJECTION

SIZE DRAWING NO. **B** 148CB44VMJKCCA0001 0

REVISIONS

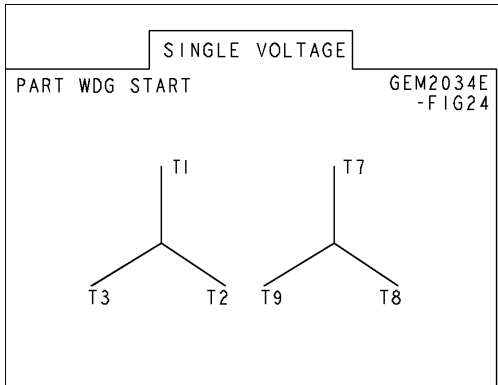
REV.	DESCRIPTION	DATE	APPROVED

SIGNATURES DATE  
 MODEL RAVI 01/01/2016  
 DETAIL SASI 01/01/2016  
 CHECKED SASI 01/01/2016  
 ENGRS SASI 01/01/2016  
 QC  
 QUALITY  
 ISSUED  
 SOLID MODEL: 148CB44VMJKCCA0001

**GE Motors**  
**GENERAL ELECTRIC COMPANY**  
 TITLE **OUTLINE, NEMA WPI 444-445**  
**VERTICAL HOLLOW SHAFT HIGH THRUST GRS LOWER**  
 200 BD, 700 CU IN C/BOX  
 SCALE: 0.120 REF. No.:  
 SHEET 1 OF 1

Marks:

**Connection Diagram**  
GEM2034E-FIG24



WYE	L1	L2	L3	OPEN
START	T1	T2	T3	T7 T8 T9
RUN	T1-T7	T2-T8	T3-T9	—————

**Heater Connection**  
3027JE-1C



SUPPLY VOLTAGE LEADS	L1	L2
HEATER LEADS	HE1	HE2

End shield Assembly		
Part Description	DE Side Part#	ODE Side Part#
End Shield	115E7661AA1	115E7670LA1
Bearing	235A2522AJ01	235A2536AB01
Slinger/Inproseal		

Fan & Fan Cover Assembly	
Part Description	Part#
Fan	
Fan Cover	149C4050AA1

Conduit & Accessories Box Assembly	
Part Description	Part#
Conduit Box	118D4408AD2

Mechanical Accessories	
Part Description	Part#
Brake	
Tachometer	