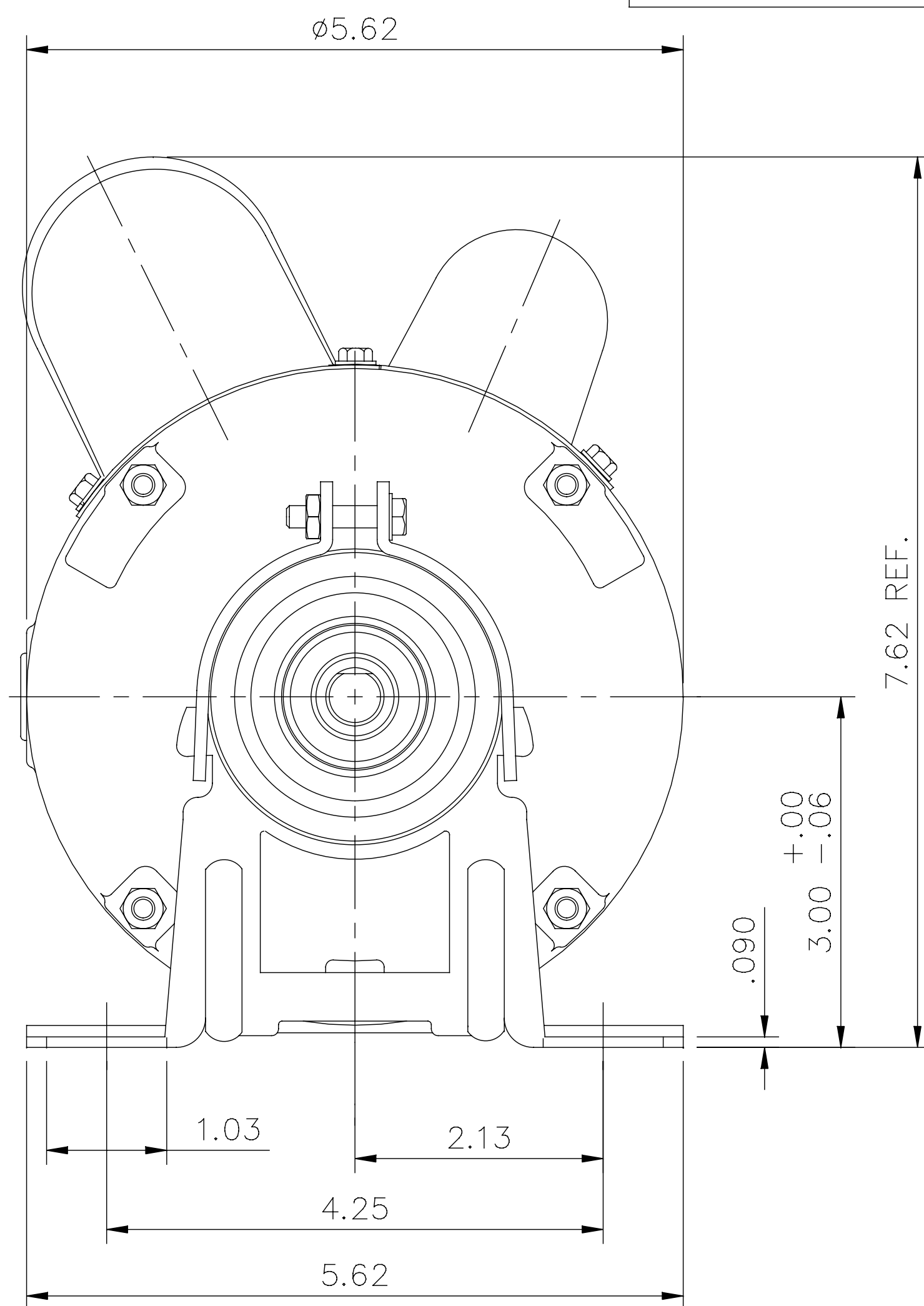
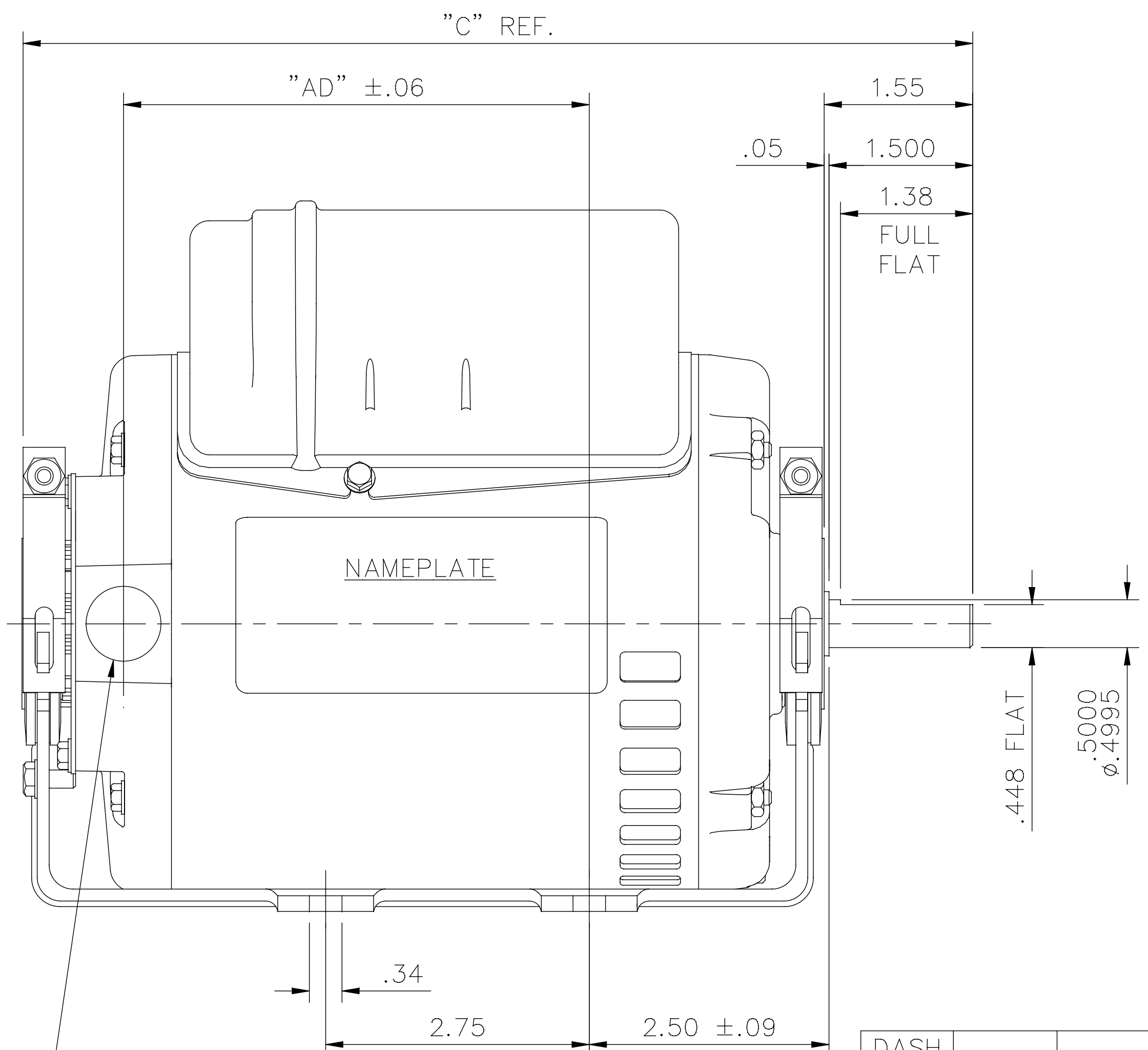


031761



1/2-14 NPT  
CONDUIT HOLE  
(PLUGGED)

DASH NO.	"C" REF.	
	"C"	"AD"
550	9.89	4.84
600	10.39	5.34
650	10.89	5.84
700	11.39	6.34

TOLERANCES UNLESS SPECIFIED	
DEC.	INCHES
.X	±.1
.XX	±.03
.XXX	±.005
.XXXX	±.0005
ANG	±1/2°

**REGAL**™ Regal Beloit America, Inc.

DRAWN	PG 3/2/04
CHK	
APPD	
SCALE	1=2
REF	030826
FMF	101585.00
PREV	

TITLE  
OUTLINE - 48 FRAME  
RESILIENT MOUNT - DRIP PROOF

MAT'L.  
1 PHASE

FINISH  
STANDARD

NO.	REVISION	BY & DATE	CHK
A	UPDATED CAP LOCATION PER ECO-0077700	PST 09/18/15	

THIS DRAWING IN DESIGN AND DETAIL IS OUR PROPERTY AND MUST NOT BE USED EXCEPT IN CONNECTION WITH OUR WORK ALL RIGHTS OF DESIGN AND INVENTION ARE RESERVED THIS IS AN ELECTRONICALLY GENERATED DOCUMENT - DO NOT SCALE THIS PRINT

RFP	CAD FILE	031761	SIZE	DRAWING NO.	REV.
DIST			A	031761	A