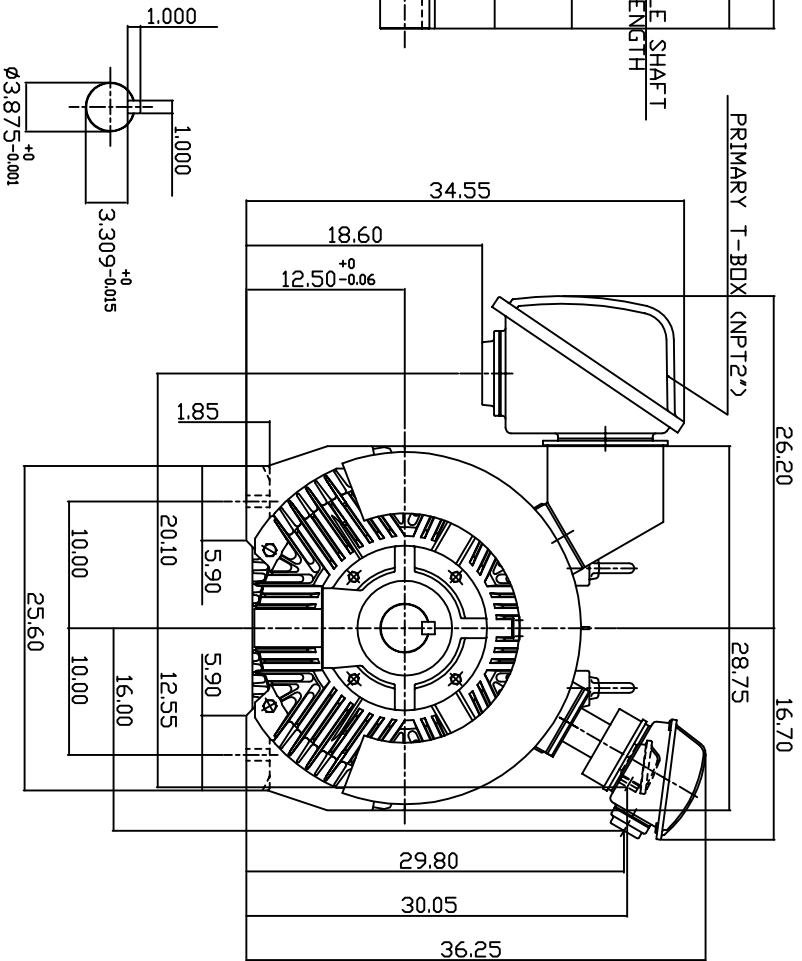
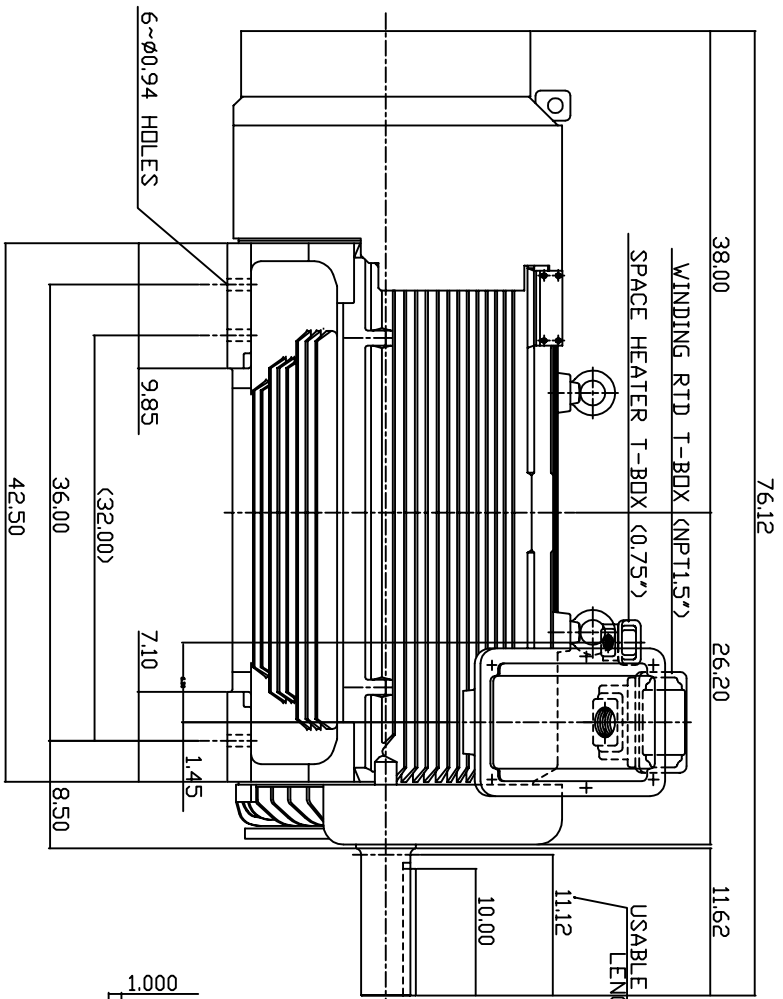


TYPE	OUTPUT		POLE	TIME RATING	VOLTAGE V	Hz	SYN SPEED R.P.M
	HP.	KW.					
AEHGTK	450	336	4	CDNT.	2300/4160	60	1800

TOTALLY ENCLOSED FAN-COOLED TYPE, SQUIRREL-CAGE ROTOR



NOTE:

1. DIMENSIONS IN INCH.
2. FRAME NO. 5011B (5010B)
3. F CLASS INSULATION, S.F.1.15
4. FOR DIRECT FLEXIBLE COUPLING
5. WITH SPACE HEATER 120 VOLT SINGLE PHASE 200 WATTS
6. WITH 100 OHM PLATINUM WINDING RTD'S 2/PHASE
7. BEARING SIZE: DRIVE END: 6324
NON-DRIVE END: 6320
8. MOTOR APPROX. WEIGHT: 4800 LBS

TW-56C

DWN.	W.LLIN	APR -08 -2003
CHKD.	W.LLIN	APR -08 -2003
APPD.	C.WANG	APR -08 -2003

DATE	OUTLINE DIMENSIONS
MAY 5, 2004	3-PHASE INDUCTION MOTOR
CATALOG NO. KG4504	

TECO Westinghouse DWG NO. 3A040T4514 REV: 00