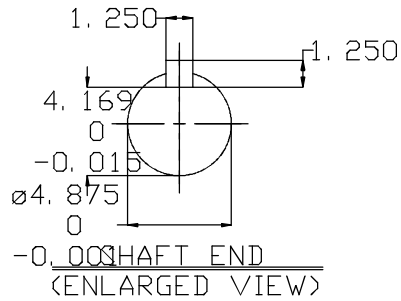
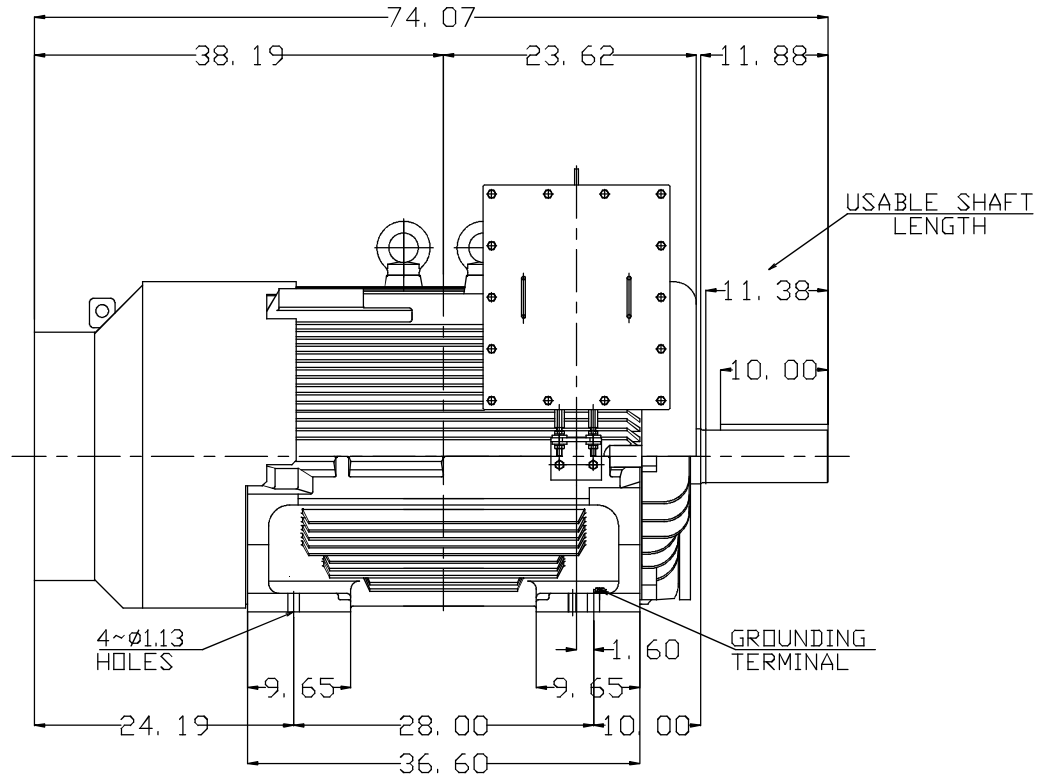
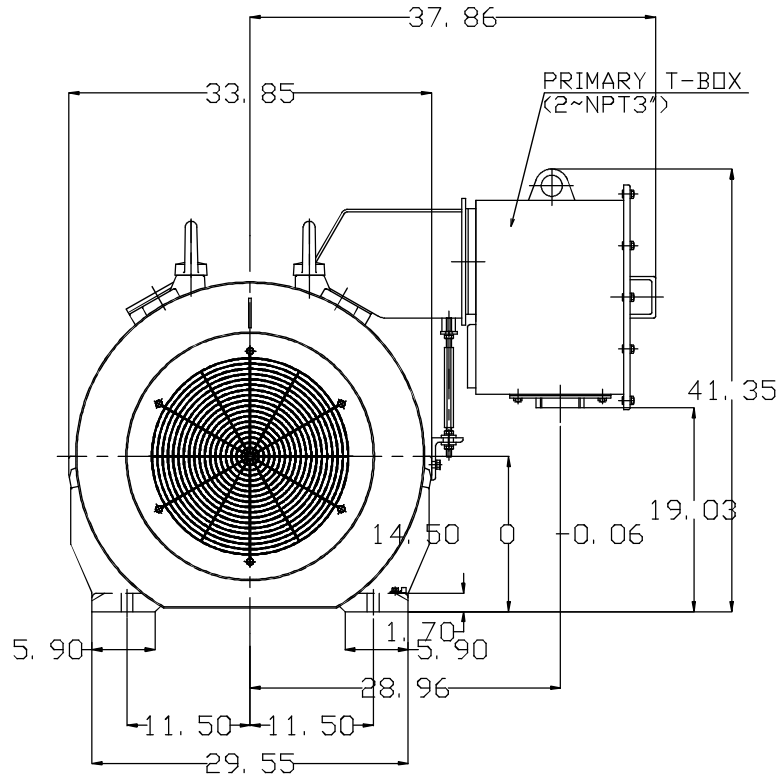


6 | 5 | 4 | 3 | 2 | 1

TYPE	OUTPUT		POLE	TIME RATING	VOLTAGE V	Hz	SYN.SPEED R.P.M
	HP.	KW.					
AEHE	450	336	8	CONT.	460	60	900

TOTALLY ENCLOSED FAN-COOLED TYPE, SQUIRREL-CAGE ROTOR



- NOTE:
1. DIMENSIONS IN inch
  2. FRAME NO. 5808B
  3. F CLASS INSULATION, S.F.1.15
  4. FOR DIRECT FLEXIBLE COUPLING
  5. ENCLOSURE: IP55
  6. BEARING SIZE: DRIVE-END 6326  
OPP. DRIVE-END 6322
  7. MOTOR APPROX. WEIGHT: 5450 lb

DATE		OUTLINE DIMENSIONS	
CATALOG # E4508		3-PHASE INDUCTION MOTOR	
DWN. Y.DU	MAR-24-2014	TEC Westinghouse	DWG NO. REV:00
CHKD. W.CHENG	MAR-29-2014		4B040C038
APPD. C.SHIH	MAR-29-2014		

6 | 5 | 4 | 3 | 2 | 1