

DATE
MAY 28, 2009
CATALOG # DTP0304G

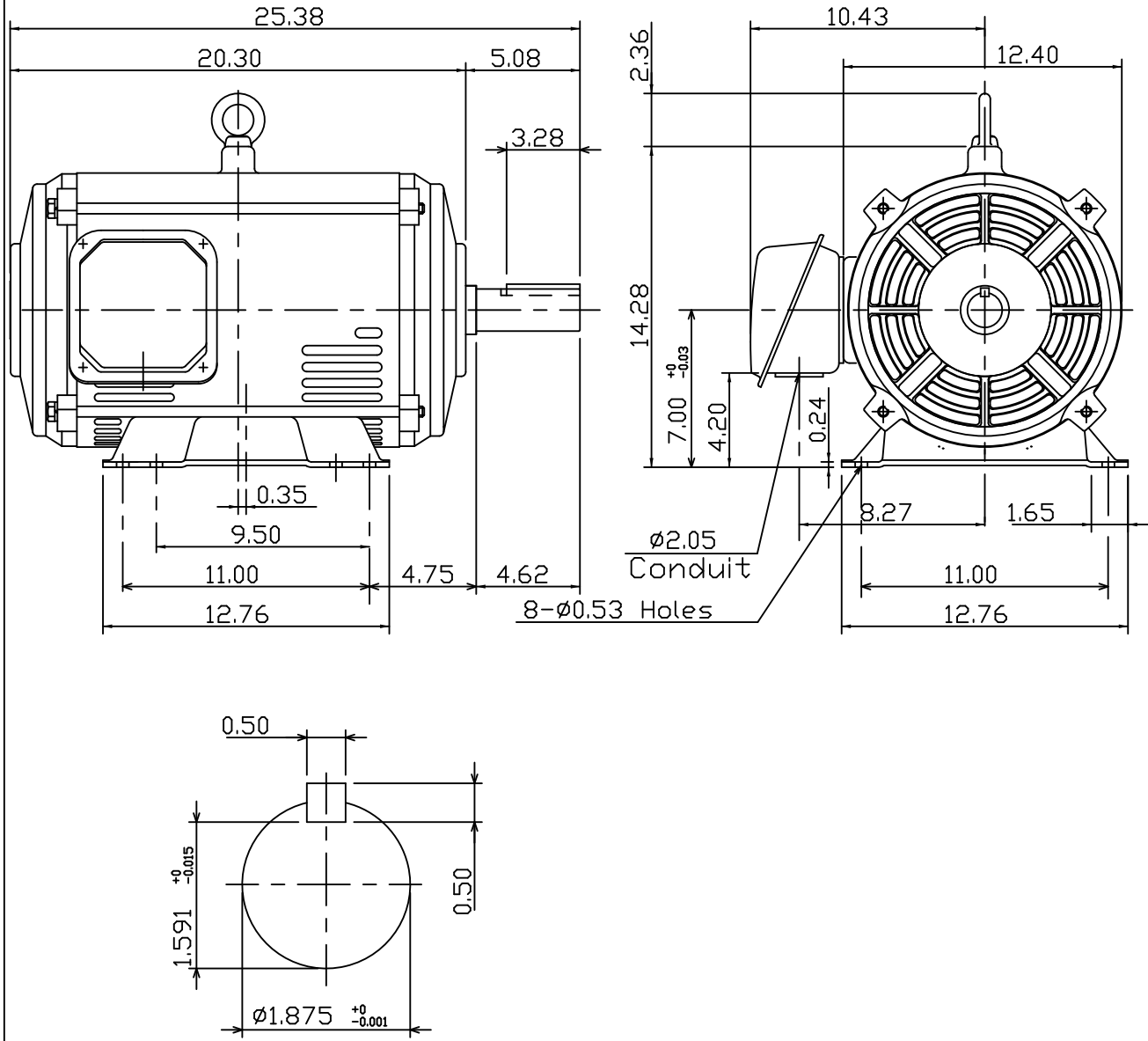
OUTLINE DIMENSIONS
3-PHASE INDUCTION MOTOR

MOTOR TYPE:
ASGH-SGR
FRAME NO. 286T

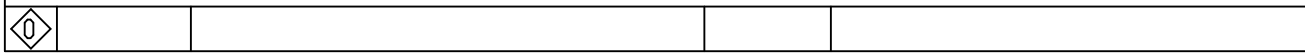
| | | | | | |
|------|----|------|----|---------|-------------------------|
| Pole | HP | kW | Hz | VOLT | Syn.Speed r/min(rpm) |
| 4 | 30 | 22.4 | 60 | 230/460 | 1800 |

| | | | | |
|-----|--------|--------------|---------------|----------------------------|
| Ins | Rating | Dimension in | Approx Weight | Bearings |
| F | CONT. | inches | 346 lbs. | DE: 6311ZZC3 NDE: 6211ZZC3 |

Open Protected Drip-Proof Type.Squirrel-cage Rotor.



NOTE:
1.AEGIS Grounding ring installed on Drive-end.



| | | | | |
|-------|----------|----------|--|--------------|
| DWN. | K.L.KUD | 04-28-08 | | DWG NO. |
| CHKD. | K.L.KUD | 05-05-08 | | 31057H724060 |
| APPD. | M.C.TSAI | 05-05-08 | | |