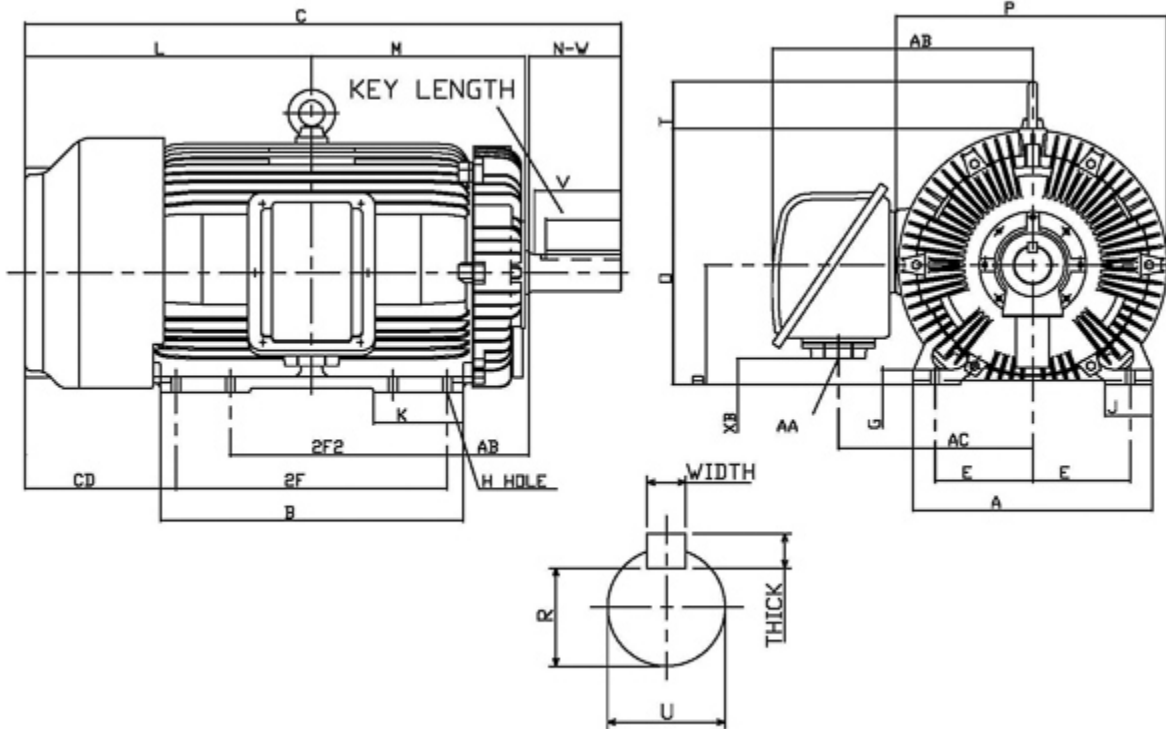


### Dimensional Drawing

|           |        |     |      |     |            |         |    |      |
|-----------|--------|-----|------|-----|------------|---------|----|------|
| Catalogue | Model  | HP  | Pole | kW  | Rating     | Voltage | Hz | RPM  |
| APH2006   | AEHH8R | 200 | 6    | 149 | Continuous | 460 V   | 60 | 1200 |



| Frame Size       | Mounting |       |          |        |                    | A           | B          | C     | CD                           | D          |         |
|------------------|----------|-------|----------|--------|--------------------|-------------|------------|-------|------------------------------|------------|---------|
|                  | E        | 2F    | 2F2      | H      | BA                 |             |            |       |                              |            |         |
| 449T             | 9        | 25    | 20       | 0.81   | 7.5                | 22.05       | 27.95      | 54.9  | 13.9                         | 11         |         |
| G                | J        | K     | L        | M      | O                  | P           | T          | Key   |                              |            | Keyseat |
| 1.4              | 4.35     | 8.25  | 26.4     | 19.65  | 23.55              | 24.75       | 7.33       | Width | Thick                        | Length     | R       |
|                  |          |       |          |        |                    |             |            | 0.875 | 0.875                        | 6.91       | 2.88    |
| Terminal Housing |          |       | Aux Box  |        |                    | C/D Flange  |            |       |                              |            |         |
| AA               | AB       | AC    | XB       | AE     | AX                 | BB          | AH         | AK    | BD                           | AJ         | BF      |
| -                | 31.11    | 21.02 | 3.95     |        |                    |             |            |       |                              |            |         |
| Shaft Extension  |          |       | Bearings |        | Approx. Weight Lbs | SPL dBA/3ft | Ins. Class | S.F.  | Drive Method                 | Dimensions |         |
| N-W              | U        | V     | DE       | NDE    |                    |             |            |       |                              |            |         |
| 8.5              | 3.375    | 8     | 6320C3   | 6316C3 | 2450               | 79          | F          | 1.15  | Direct Coupling / Belt Drive | Inches     |         |

### Technical Data Sheet

Motor Type: AEHH8R

Catalogue No: APH2006

#### Nameplate Information

|           |            |                |             |             |              |                |
|-----------|------------|----------------|-------------|-------------|--------------|----------------|
| HP        | Pole       | RPM            | Frame       | Voltage     | Hz           | Phase          |
| 200       | 6          | 1186           | 449T        | 460         | 60           | 3              |
| Enclosure | Ins. Class | Service Factor | Time Rating | NEMA Design | Rated Amb.   | Rated Altitude |
| TEFC      | F          | 1.15           | Continuous  | B           | -40 to 40 °C | <3300 ft       |

#### Typical Performance

| Efficiency (%)    |                             |                                 |                                      | Power Factor (%)    |           |                                |
|-------------------|-----------------------------|---------------------------------|--------------------------------------|---------------------|-----------|--------------------------------|
| Full Load         |                             | 3/4 Load                        | 1/2 Load                             | Full Load           | 3/4 Load  | 1/2 Load                       |
| Nom.              | Min.                        |                                 |                                      |                     |           |                                |
| 95.8              | 95.0                        | 95.4                            | 94.5                                 | 84.0                | 81.0      | 74.0                           |
| Torque            |                             |                                 |                                      | Current (A)         |           |                                |
| Full Load (lb-ft) | Locked Rotor (% FLT)        | Pull Up (% FLT)                 | Break Down (% FLT)                   | No Load             | Full Load | Locked Rotor                   |
| 885.00            | 135                         | 103                             | 210                                  | 65.6                | 232.7     | 1450                           |
| NEMA KVA Code     | Inertia (WR <sup>2</sup> )  |                                 |                                      | Safe Stall Time (s) |           | Noise Level Sound Press. dB(A) |
|                   | Rotor (lb-ft <sup>2</sup> ) | NEMA Load (lb-ft <sup>2</sup> ) | Max. Allowable (lb-ft <sup>2</sup> ) | Cold                | Hot       |                                |
| G                 | 125.000                     | 2238                            | 5595                                 | 17                  | 12        | 79                             |

#### VFD Duty Information

| Speed Range     |                 |                | VFD     |              | S.F.     |
|-----------------|-----------------|----------------|---------|--------------|----------|
| Constant Torque | Variable Torque | Constant Power | Carrier | Type         |          |
| 6-60Hz          | 3-60Hz          | 60-120Hz       | ≤ 5 kHz | VPWM or CPWM | 1.0 Only |

#### Additional Information

| Bearings |        | Approx. Weight |
|----------|--------|----------------|
| DE       | NDE    | lbs            |
| 6320C3   | 6316C3 | 2450           |

#### Hazardous Locations Information

| CSA Certified                             |           |
|---|-----------|
| Class I, Div 2, Groups B, C & D           |           |
| Class I, Zone 2, Groups IIB+H2, IIB & IIA |           |
| Temp Code (Sinewave / VFD)                | T3C / T2D |