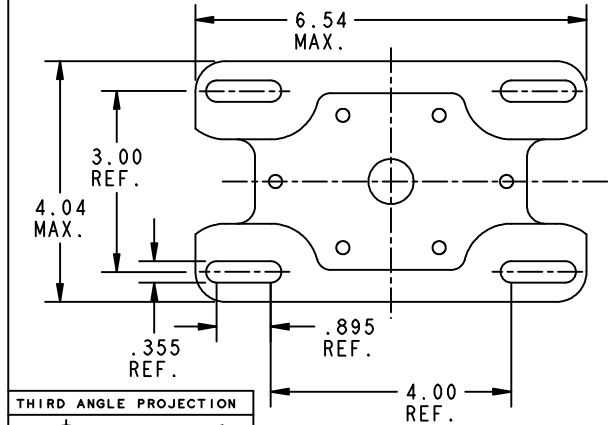
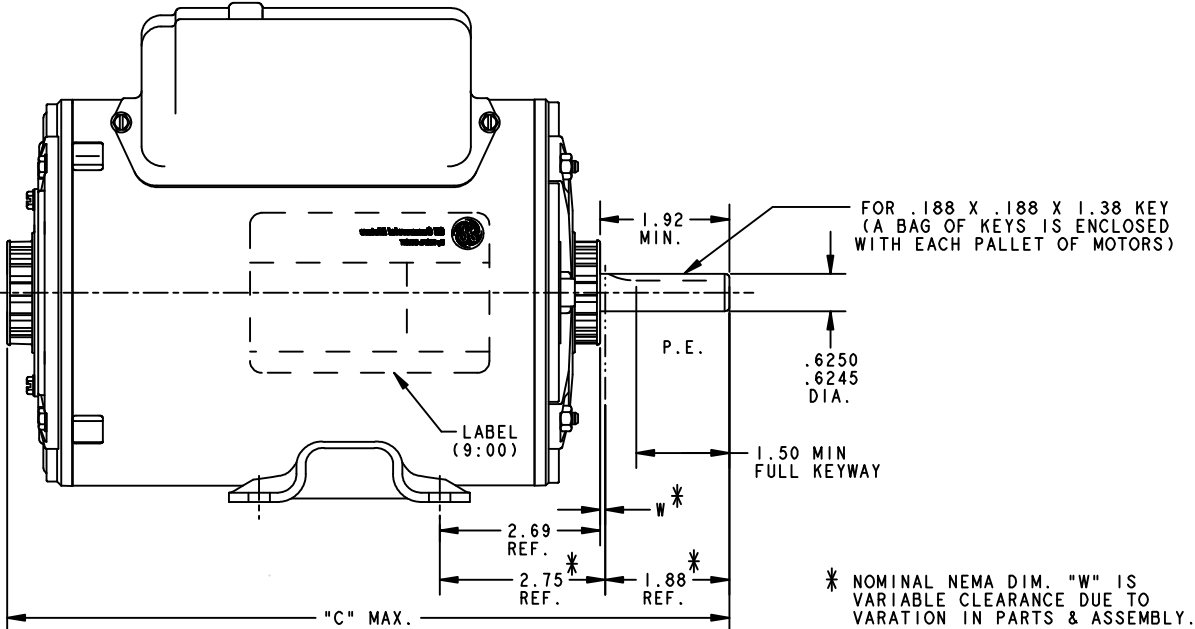
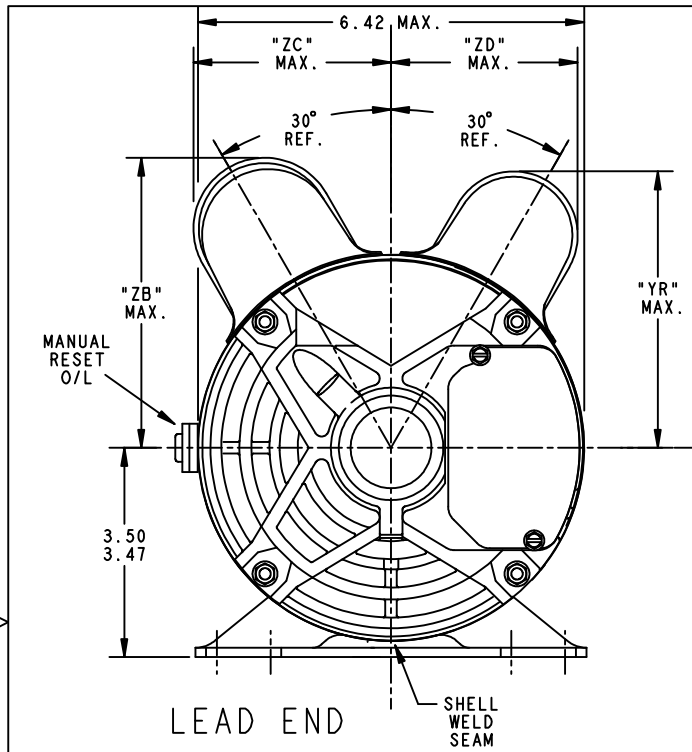


| REVISIONS | | | |
|-----------|---------------------------------|----------|----------|
| REV. | DESCRIPTION | DATE | APPROVED |
| 11 | REVRSO CAP CVRS R1200-270 | 11/22/00 | R.P.C |
| 12 | CHG TO RBC FORMAT PER IS05-1777 | 05/03/06 | MADHU |



- NOTES:
 1. ENDPLAY .002-.010 (E1-115A321AAP2).
 2. MINIMUM CLAMPBOLT TORQUE IS 32 IN.-LBS.

| | | | | | | | | |
|---|------|---------|--------------|-------|------|------|------|------|
| 5 | KCR | 49 | 7.68 | 11.89 | 4.66 | 4.66 | 3.17 | 3.17 |
| 4 | KCR | 48 | 8.43 | 12.64 | 4.66 | 4.66 | 3.17 | 3.17 |
| 3 | KCR | 48 | 8.43 | 12.64 | 4.27 | 4.66 | 3.17 | 2.82 |
| 2 | KCR | 48 | 8.43 | 12.64 | 4.90 | 4.90 | 3.38 | 3.38 |
| 1 | KCR | 49 | 7.68 | 11.89 | 4.27 | 4.66 | 3.17 | 2.82 |
| P | TYPE | GE SIZE | SHELL (MIN.) | "C" | "YR" | "ZB" | "ZC" | "ZD" |

| SIGNATURES | | DATE |
|--------------------------|------------------------|-------------------|
| MODEL | M.W.E | 03/04/93 |
| DETAIL | . | . |
| CHECKED | . | . |
| ENGRG | . | . |
| NFG | . | . |
| APPLIED PRACTICES | QUALITY | . |
| DIMENSIONS ARE IN INCHES | ISSUED | M.W.PAPE 03/09/99 |
| MATERIAL | SOLID MODEL: 52B206998 | . |

REGAL-BELOIT CORPORATION

TITLE: **OUTLINE**
FMF - 40 FRAME 5KCR49SN2021Y

SIZE DRAWING: **52B206998** REV **12**

SCALE: 0.500 REF. No. . SHEET 1 of 1

