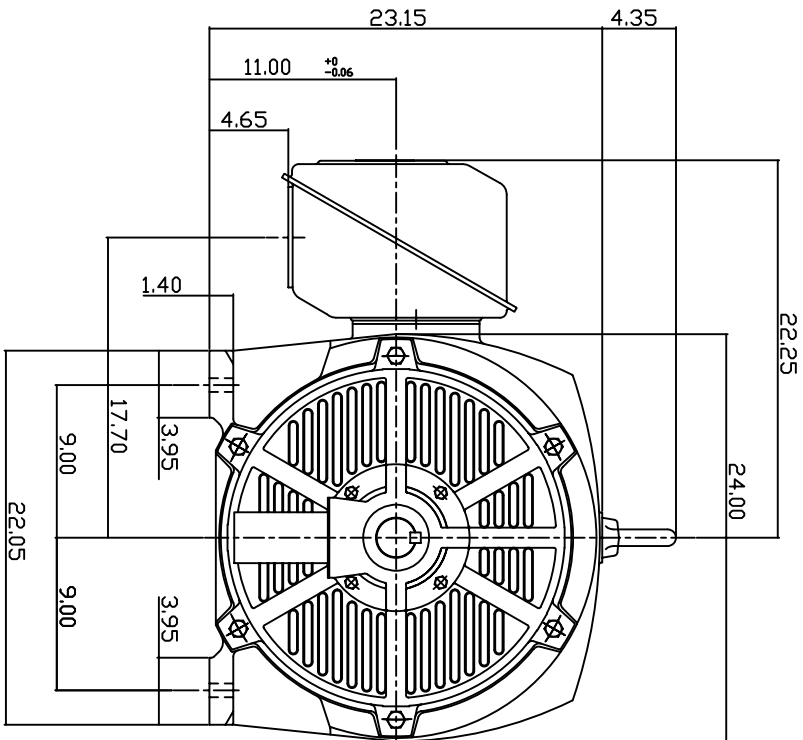
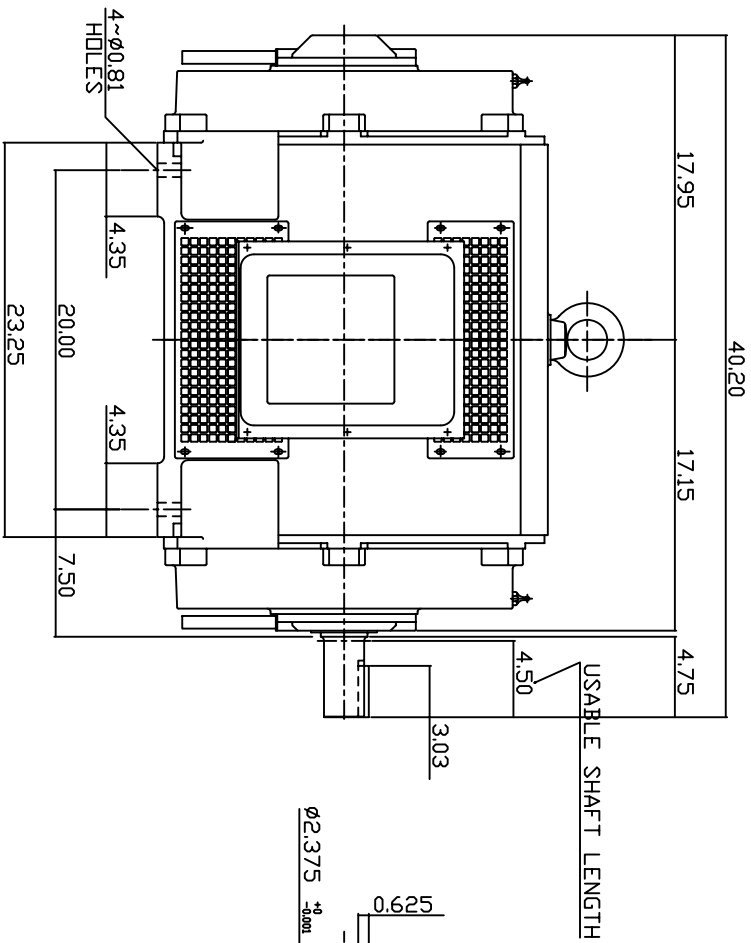


TYPE	OUTPUT		POLE	TIME RATING CDNT.	VOLTAGE V	HZ	SYN.SPEED R.P.M
	HP.	K.W.					
ASHH	350	261	2		460	60	3600

DRIP PROOF TYPE, SQUIRREL-CAGE ROTOR



NOTE:

1. DIMENSIONS IN INCH.
2. FRAME NO. 447TS
3. F CLASS INSULATION, S.F. 1.15
4. FOR DIRECT FLEXIBLE COUPLING
5. BEARING SIZE: DRIVE END: 6315C3  
NON-DRIVE END: 6315C3
6. MOTOR APPROX. WEIGHT: 1590 LBS

TB-56SC

D/W.N.	V.L.LIN	MAR-26-2003
CHKD.	V.L.LIN	MAR-26-2003
APPD.	C.WANG	MAR-26-2003

DATE	February 24, 2007	OUTLINE DIMENSIONS
CATALOG NO.	DHP3502	
3-PHASE INDUCTION MOTOR		DWG NO.
		3A040T262
		REV: 00



6 5 4 3 2 1