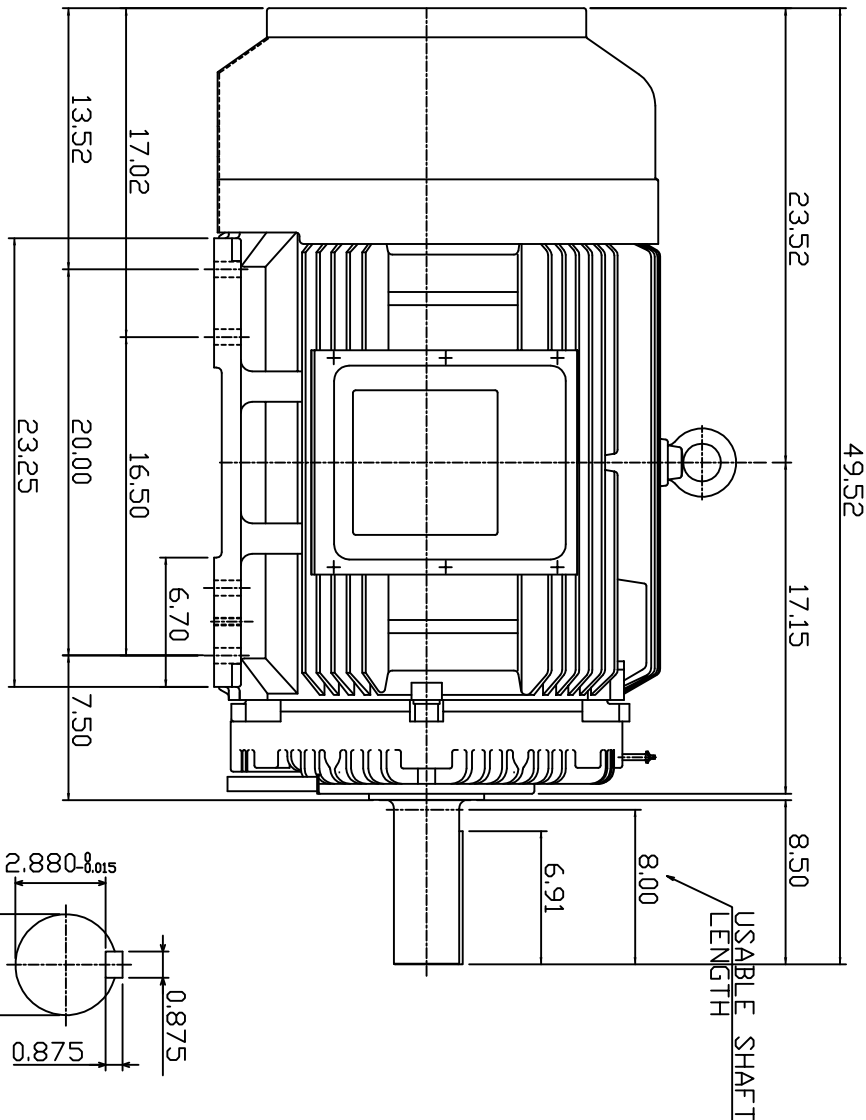
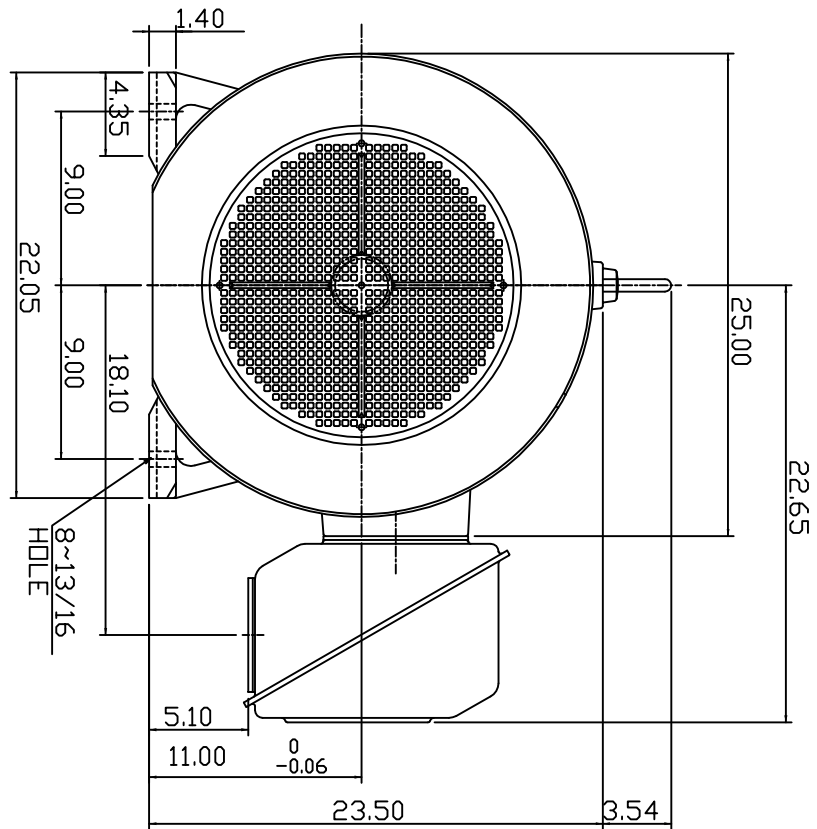


TYPE	OUTPUT		POLE	TIME RATING	VOLTAGE V	Hz	SYN SPEED R.P.M
	HP.	KW.					
AEHH8P	200	149.2	4	CDNT.	460	60	1800

TOTALLY ENCLOSED FAN-COOLED TYPE, SQUIRREL-CAGE ROTOR



- NOTE:
1. DIMENSIONS IN INCHES
 2. FRAME SIZE 447T
 3. F CLASS INSULATION, S.F. 1.15
 4. FOR DIRECT FLEXIBLE COUPLING
 5. BEARING NO.: DRIVE END: 6320C3
DPP, DRIVE END: 6316C3
 6. ENCLDSURE: IP44
 7. APPRDX. WEIGHT: 2300 LBS

DWN.	SLEE	JAN. 26 -2011
CHKD.	SLEE	JAN. 26 -2011
APPD.	H.LIU	JAN. 26 -2011

DATE: MARCH 2, 2011
CATALOG #: NP2004



OUTLINE DIMENSIONS
3-PHASE INDUCTION MOTOR

DWG. NO. 3A049DWB10464-27
REV: 00

6 5 4 3 2 1