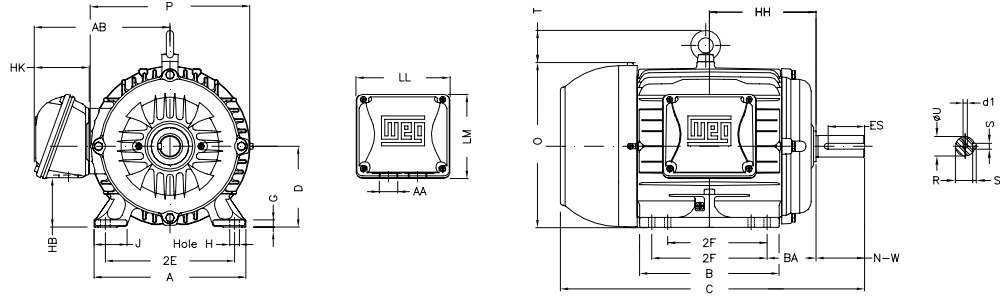


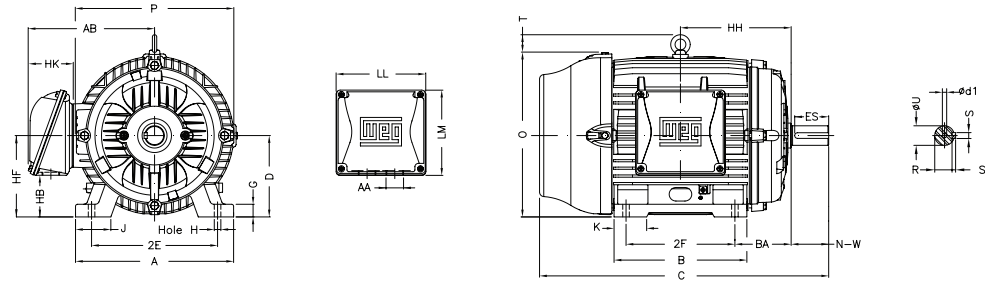
W22 NEMA Premium Efficiency Motors

TEFC - Severe Duty - Mechanical Data

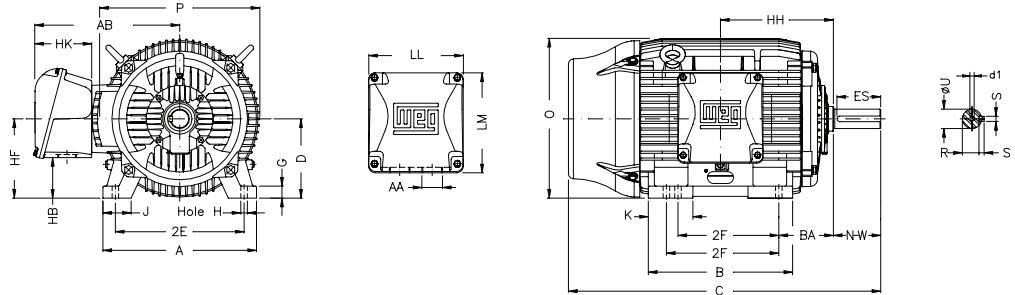
Frames 143T to 184T



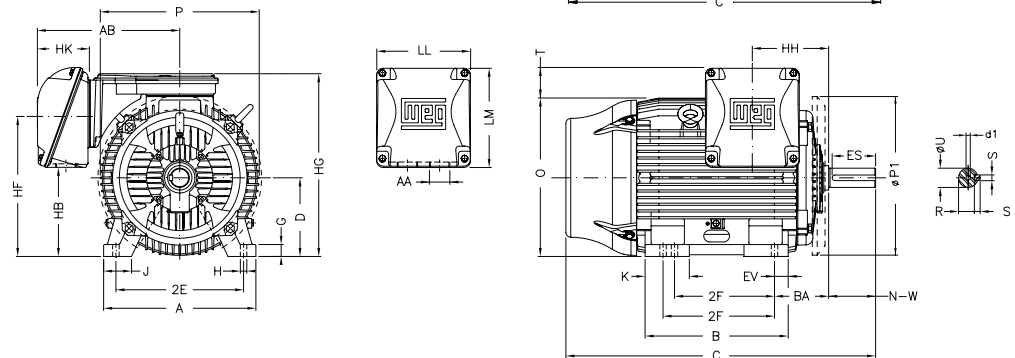
Frames 213T to 326T



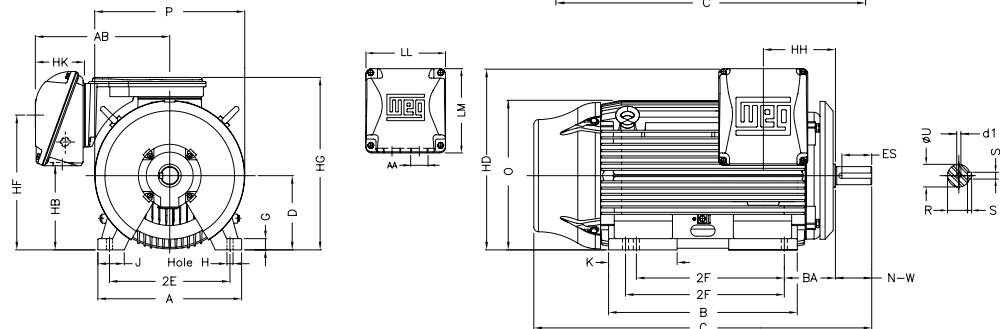
Frames 364 to 444/5T



Frames 445/7T to 586/7T



Frame 588/9T





W22 NEMA Premium Efficiency Motors

TEFC - Severe Duty - Mechanical Data

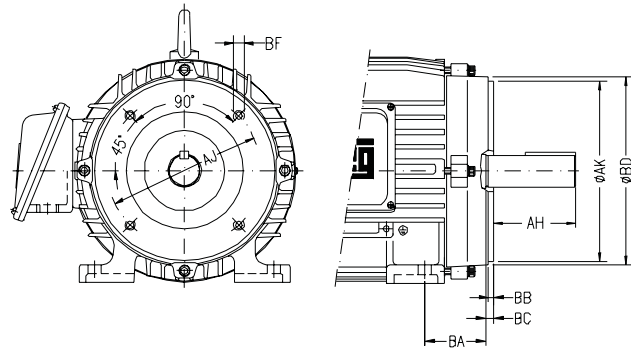
NEMA Frames	MOUNTING				A	B	C	D	G	J	O	K	P	T	KEYWAY			SHAFT EXTENSION		
	2E	2F	H	BA											S	R	ES	N-W	U	
143/5T	5.500	5.000	0.344	2.250	6.457	6.142	13.346	3.500	0.354	1.437	7.122	-	7.047	-	0.187	0.765	1.575	2.250	0.875	
182/4T	7.500	5.500	0.406	2.750	8.661	6.969	15.860	4.500	0.394	1.594	9.343		8.740	1.772	0.250	0.984	1.969	2.750	1.125	
213/5T	8.500	7.000		3.500	9.764	8.858	19.517	5.250	0.827	1.988	10.841	2.165	10.669		0.313	1.203	2.480	3.375	1.375	
254/6T	10.000	10.000	0.531	4.250	12.126	11.732	24.945	6.250		7.000	2.539	12.598	2.559	12.953	2.087	0.375	1.406	2.756	4.000	1.625
284/6TS	11.000	11.000		4.750	13.780	13.071	26.557	7.000	1.023		3.110	14.067	2.874	14.173		0.375	1.406	2.480	3.250	1.625
284/6T			27.929	34.251	29.616	31.116	8.000		1.300	3.189	15.953	3.189	15.827	2.441	0.500	1.594	3.149	4.622	1.875	
324/6TS	12.500	12.000	0.657	5.250	15.157	14.567	29.616	8.000	1.300	3.189	15.953	3.189	15.827	2.441	0.500	1.594	2.756	3.750	1.875	
324/6T																31.116	32.276	34.251	9.000	1.480
364/5TS	14.016	11.260/12.244	0.660	5.875	17.165	16.220	32.276	9.000	1.480	3.150	17.716	4.921	17.914	-	0.625	1.591	1.968	3.748	1.875	
364/5T																34.251	32.276	34.251	11.000	1.811
404/5TS	15.984	12.244/13.740	0.810	6.625	19.921	18.386	36.732	10.000	1.811	3.937	22.795	5.866	23.583	-	0.625	2.019	4.330	5.874	2.375	
404/5T																39.730	41.443	45.193	1.630	4.331
444/5TS	18.000	14.500/16.500	0.810	7.500	21.929	20.315	41.443	11.000	1.630	3.937	22.795	5.866	23.583	-	0.625	2.021	3.000	4.750	2.375	
444/5T																45.193	45.301	49.051	1.654	4.331
445/7TS	18.000	16.500/20.000	0.810	7.500	21.496	23.897	45.301	11.000	1.654	4.331	25.291	6.692	23.583	-	0.625	2.021	3.000	4.750	2.375	
445/7T																49.051	52.588	56.338	1.630	3.937
447/9TS	18.000	20.000/25.000	0.810	7.500	21.929	31.535	56.338	11.000	1.630	3.937	23.874	8.780	23.583	-	0.625	2.021	3.000	4.750	2.375	
447/9T																53.431	57.181	57.181	1.630	3.937
L447/9TS	18.000	20.000/25.000	0.810	7.500	21.929	31.535	56.338	11.000	1.630	3.937	23.874	8.780	23.583	-	0.625	2.021	3.000	4.750	2.375	
L447/9T																53.431	57.181	57.181	1.630	3.937
504/5TS	20.000	16.000/18.000	1.250	8.500	24.724	24.449	48.215	12.500	2.146	4.724	25.425	7.228	25.866	-	4.880	0.625	2.021	3.000	4.750	2.375
504/5T																54.095	54.431	54.431	1.630	3.937
586/7TS	23.000	22.000/25.000	1.181	10.000	29.528	29.921	54.829	14.500	2.492	5.512	28.985	9.055	28.977	-	5.590	0.625	2.021	3.000	4.750	2.375
586/7T																61.704	62.506	62.506	1.630	3.937
588/9TS	23.000	28.000/32.000	1.181	10.000	29.528	37.980	62.506	14.500	2.492	5.512	28.985	12.795	28.977	-	8.464	1.000	3.312	8.661	11.625	3.875
588/9T																69.381	69.381	69.381	1.630	3.937

NEMA Frames	TERMINAL BOX									d1	BEARINGS	
	AB	HB	HF	HG	HH	HK	LL	LM	AA		D.E.	N.D.E.
143/5T	6.181	1.728	3.500	-	4.750	2.638	4.527	4.094	NPT3/4"	A 4	6205 ZZ	6204 ZZ
182/4T	7.559	2.236	4.500		5.500	3.110	5.512	5.236	NPT1"		6207 ZZ	6206 ZZ
213/5T	8.583	3.006	5.250	7.000	3.937	7.795	7.402	NPT1 1/2"	6308 ZZ		6207 ZZ	
254/6T	10.394	3.061	6.565	9.250					6309 C3		6209 C3	
284/6TS	10.984	3.535	7.000	10.250	11.250	4.645	8.976	8.543	NPT 2"		6311 C3	6211 C3
284/6T				12.362							6.378	9.646
324/6TS	12.480	4.811	8.708	14.213	15.748	5.787	11.811	11.890	NPT 3"	6316 C3	6316 C3	
324/6T				12.362						6.378		9.646
364/5TS	16.378	4.055	-	14.213	15.748	5.787	11.811	11.890	NPT 3"	6314 C3	6314 C3	
364/5T		5.040								6314 C3	6314 C3	
404/5TS	18.386	5.394	-	14.213	15.748	5.787	11.811	11.890	NPT 3"	6319 C3	6316 C3	
404/5T										5.040	6314 C3	6314 C3
444/5TS	20.670	12.598	20.724	26.850	11.803	6.968	14.646	15.040	2xNPT 3"	6319 C3	6316 C3	
444/5T										5.040	6314 C3	6314 C3
445/7TS	20.670	12.598	20.724	26.850	11.803	6.968	14.646	15.040	2xNPT 3"	6314 C3	6314 C3	
445/7T										5.040	6314 C3	6314 C3
447/9TS	23.071	11.417	20.551	28.236	11.500	8.464	15.906	17.244	2xNPT 3"	6319 C3	6319 C3	
447/9T										5.040	6314 C3	6314 C3
L447/9TS	23.071	11.417	20.551	28.236	11.500	8.464	15.906	17.244	2xNPT 3"	6322 C3	6319 C3	
L447/9T										5.040	6314 C3	6314 C3
504/5TS	20.670	15.275	24.291	29.409	10.394	6.968	14.646	15.040	2xNPT 3"	6314 C3	6314 C3	
504/5T										5.040	6319 C3	6316 C3
586/7TS	23.977	17.322	26.732	34.015	13.386	8.464	15.906	17.244	2xNPT 3"	6314 C3	6314 C3	
586/7T										5.040	6322 C3	6319 C3
588/9TS	27.600	8.464	28.346	34.015	13.386	12.520	17.441	28.740	2xNPT 3"	UNC 7/8"-9	6322 C3	6319 C3
588/9T										5.040	6314 C3	6314 C3

W22 NEMA Premium Efficiency Motors

TEFC - Severe Duty - Mechanical Data

"C" FLANGE DIMENSIONS														
NEMA FRAMES	BA	AJ	AK	BD	BF		BB	BC	AH					
					NUMBER	TAP SIZE								
143/5TC	2.250	5.875	4.500	6.500	4	UNC 3/8"x16	0.156	0.125	2.125					
182/4TC	2.750					UNC 1/2"x13		0.250	2.625					
213/5TC	3.500	7.250	8.500	8.875				0.250	3.125					
254/6TC	4.250							0.250	3.75					
284/6TC	4.750	9.000	10.500	11.031					4.375					
284/6TSC											3.000			
324/6TC	5.250			13.583					5.000					
324/6TSC											3.500			
364/5TC	5.875	11.000	12.500						5.625					
364/5TSC											3.500			
404/5TC	6.625			15.551					7.000					
404/5TSC											4.000			
444/5TC	7.500	14.000	16.000	17.913	8	UNC 5/8"x11	0.250	0.250	8.250					
444/5TSC												4.500		
445/7TC													8.250	
445/7TSC													4.500	
447/9TC													8.250	
447/9TSC													4.500	
L447/9TC													8.250	
L447/9TSC													4.500	
504/5TC								8.500	14.500	16.500				10.375
504/5TSC														
586/7TC								10.000						11.375
586/7TSC														
588/9TC						4.500								
588/9TSC	Available on request													



"D" FLANGE DIMENSIONS													
NEMA FRAMES	BA	AJ	AK	BD	BF		BB						
					NUMBER	TAP SIZE							
143/5TD	2.250	10.000	9.000	11.000	4	0.562	0.203						
182/4TD	2.750												
213/5TD	3.500												
254/6TD	4.250	12.500	11.000	14.000									
284/6TD	4.750												
284/6TSD	5.250	16.000	14.000	18.000									
324/6TD													
324/6TSD	5.875			17.716									
364/5TD													
364/5TSD	6.625			22.000									
404/5TD													
404/5TSD	7.500	20.000	18.000	21.653	8	0.828	0.250						
444/5TD													
444/5TSD													
445/7TD													
445/7TSD													
447/9TD													
447/9TSD	8.500	22.000	18.000	24.803									
504/5TD													
504/5TSD													
586/7TD					10.000	30.000	28.000	32.000					
586/7TSD													
588/9TD													
588/9TSD													

