

Product Information Packet

November 8, 2016

Data shown is for the current revision model #. Ensure your nameplate model # matches.

Model Number:	5KS404SAA405D
Catalog Number:	M9189
Instruction Manual:	GEI-56128
Connection Diagram:	GEM2034E-FIG9
Outline Drawing:	239C6400AA

Accessory Connection Diagrams

Bearing Thermocouple:	None	Heater:	None
RTD:	None	Thermistor:	None
Thermostat:	None	Winding Thermocouple:	None
Bearing RTD:	None		

Table of Contents

Specification	01
Performance Characteristics	02
Outline Drawing	03
Connection Drawing(s)	04
Spare parts	05



Marks:

MODEL NUMBER:	5KS404SAA405D	Estimated Weight:	1390 Lbs
Outline Drawing:	239C6400AA	Time Rating:	CONT
Connection Diagram:	GEM2034E-FIG9	Enclosure:	TEFC
Instruction Book:	GEI-56128	Encl Construction:	X\$D
Design Code:	40BD4022A	Ambient Max(°C):	40
Type:	KS	Alt Ambient Max(°C):	60
Frame:	404T	Insulation Class:	H
Phases:	3	NEMA Design:	B
Poles:	8	Nominal Efficiency:	92.4 %
Output Power:	50HP 37KW	Guaranteed Efficiency:	91.7
RPM:	890	3/4 Load Efficiency:	93.1
Voltage:	230/460	KVA Code:	G
Hertz:	60	Max KVAR:	29.3
Amps - FL:	145.8/72.9	Power Factor:	69.5
Service Factor:	1.15	Bearing - DE:	6316ZC3S0
Alt Service Factor:	1.00	Bearing - ODE:	6316ZC3S0

Enclosure is Totally Enclosed Fan-Cooled

Stamped Nameplate Notes:

STAMP NP249A5564P051 AS BELOW:
 MODEL:5KS404SAA405D S/N: XXX
 CSA CERTIFIED CSA09.2216219 FOR EX NA IIC 200 C GC
 CL 1 ZONE2 AEX NA IIC 200C;CL 1 DIV2 GRP ABCD 200C
 IN -40C <= AMB <= 40C, 1.0 SF ON SINE-WAVE PWR
 SURF TEMP 230C AT 1.15SF ON SINE-WAVE PWR
 OR 200C VT OR 230C CT OR 200C CHP PWM CONTROL
 ALTERNATE RATING FOR PWM CONTROL 1.0SF 40C AMB
 VT 0-60 HZ, CT 15-60 HZ, CHP 60-90 HZ.

Additional Information:

8P - T EXTN
 C/BOX 700 CU IN - 3.00" NPT
 OIL RESISTANT SLEEVING ON LEADS
 F1 MOUNTING

Performance Characteristics

1st Winding 1st Connection

Design: 40BD4022A

Marks:

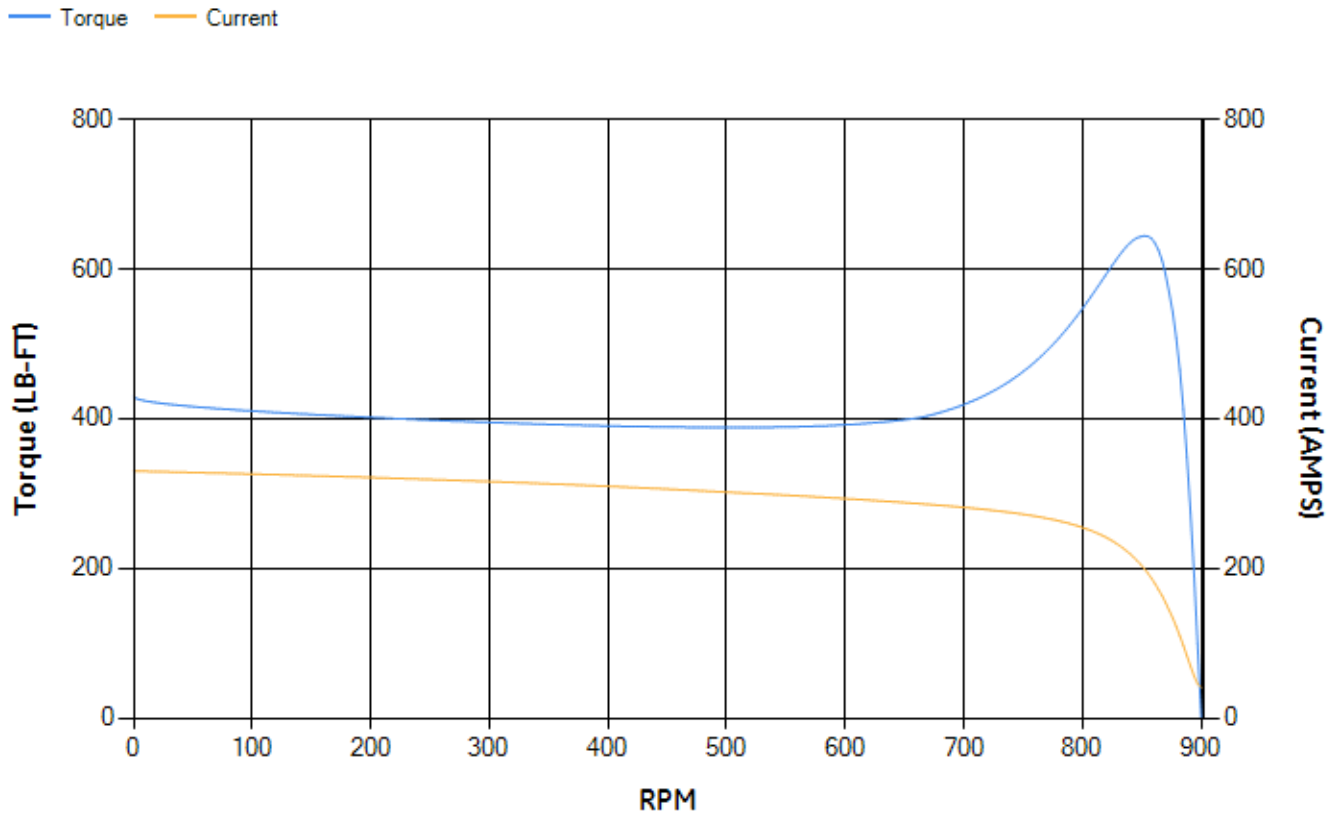
LOAD %	125.0	115.0	100.0	75.0	50.0	25.0	0.0
% EFF	92.09	92.43	93.02	93.06	92.34	88.39	0.00
% PF	73.13	72	69.51	62.5	50.16	30.25	3.03
AMPS	86.86	80.86	72.33	60.34	50.52	43.76	40.81

TORQ(FL)#FT	295.22	TORQ(LR)%FL	145.53	TORQ(BD)%FL	217.7
AMPS(LR)	330.02	PF AT START	0.36		

This motor is capable of two cold or one hot start with a maximum connected load inertia of 4531 Lb-Ft Sq (190.76 Kg-meter Sq)at 100% voltage, where the load torque varies with the square of the speed. Acceleration time with maximum inertia and the above load type is 41 seconds. Safe stall time at 100% voltage is 118 seconds cold, 62 seconds hot. Rotor inertia is 26.19 Lb-Ft Sq (1.1 Kg-meter Sq).

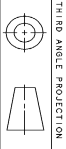
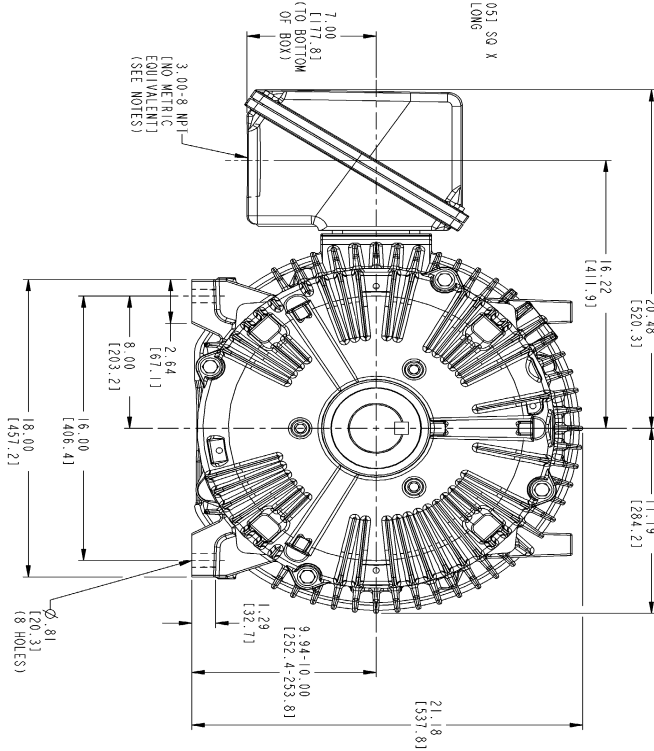
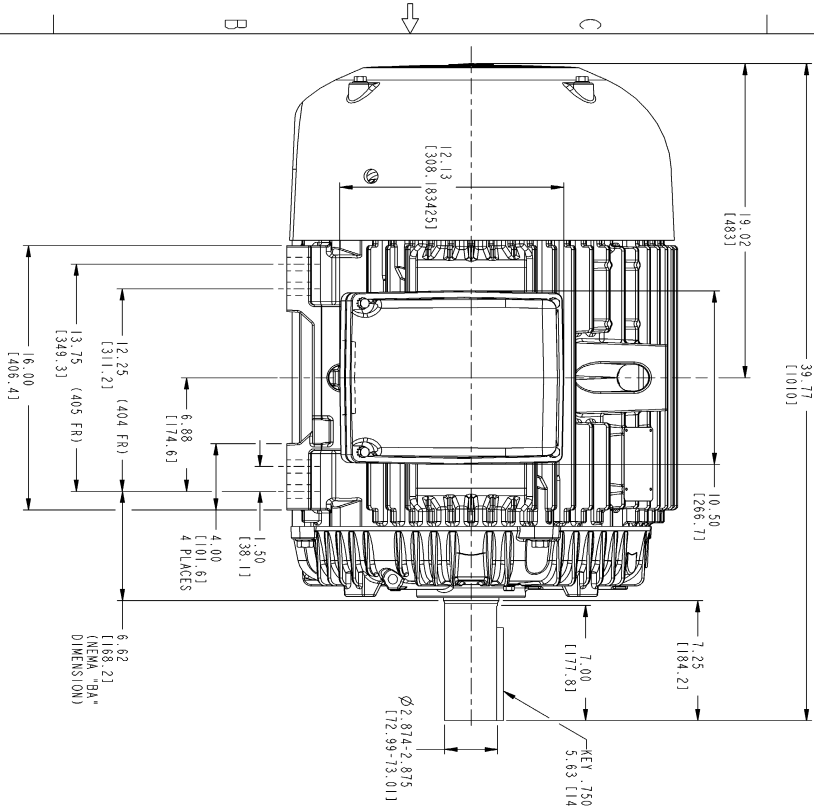
Open Circuit A-C:	0.346	Short Circuit D-C:	0.019
Short Circuit A-C:	0.038	X/R Ratio:	7.257
Stator Slots:	72	Rotor Slots:	58

Speed Torque Current Curve (First Connection, First Speed)



NAME: 103016807 OBJECT: 239C6400AA DATE: 08-Aug-03 09:32:41

Marks:



THIRD ANGLE PROJECTION

NOTES:

1. CONDUIT BOX MAY BE PLACED WITH THE ENTRANCE DOWN, UP OR ON EITHER SIDE.
2. F-1 ASSEMBLY AS SHOWN.
3. F-2 ASSEMBLY HAS CONDUIT BOX ON OPPOSITE SIDE.
4. BRACKETED DIMENSIONS ARE METRIC (MILLIMETERS).

SIGNATURES	DATE	REVISIONS	DATE	APPROVED
DESIGNER J.M. JOHNSON	03/29/00	1	05/23/01	D.E. BAIR
CHECKED W. ELLISWORTH	05/11/00	2	06/13/01	C. ALTH
DRAWN D. STARK	05/11/00	3	02/04/02	
APPLIED PRACTICES		4	08/06/03	

		GENERAL ELECTRIC COMPANY Fort Wayne, Indiana	
OUTLINE 404/405T TEFC 700 CU. IN. CONDUIT BOX			
SCALE: 0.220	REF. NO.:	SHEET NO. 1	REV. 4

DISTRIBUTION: MMP

1 4

1 3

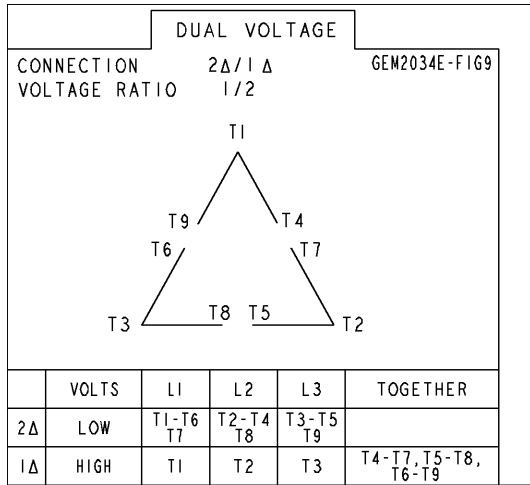
1 2

SIZE DRAWING NO. **239C6400AA**

REV. 4

Marks:

Connection Diagram
GEM2034E-FIG9



End shield Assembly		
Part Description	DE Side Part#	ODE Side Part#
End Shield	115E4304AA1	115E4304LL1
Bearing	235A2618AA04	235A2618AA04
Slinger/Inproseal	149C4399G06	149C4399G06

Fan & Fan Cover Assembly	
Part Description	Part#
Fan	159C7100G02
Fan Cover	128D6832AA1

Conduit & Accessories Box Assembly	
Part Description	Part#
Conduit Box	118D4408AD2

Mechanical Accessories	
Part Description	Part#
Brake	
Tachometer	