

Product Information Packet

November 7, 2016

Data shown is for the current revision model #. Ensure your nameplate model # matches.

Model Number:	5KS405ATE118A
Catalog Number:	E7502
Instruction Manual:	GEI-M1023
Connection Diagram:	GEM2034E-FIG8
Outline Drawing:	358B6203AD

Accessory Connection Diagrams			
Bearing Thermocouple:	None	Heater:	None
RTD:	None	Thermistor:	None
Thermostat:	None	Winding Thermocouple:	None
Bearing RTD:	None		

Table of Contents	
Specification	01
Performance Characteristics	02
Outline Drawing	03
Connection Drawing(s)	04



Marks:

MODEL NUMBER:	5KS405ATE118A	Estimated Weight:	1300 Lbs
Outline Drawing:	358B6203AD	Time Rating:	CONT
Connection Diagram:	GEM2034E-FIG8	Enclosure:	DP
Instruction Book:	GEI-M1023	Encl Construction:	OPEN
Design Code:	40AD0002A	Ambient Max(°C):	40
Type:	KS	Alt Ambient Max(°C):	--
Frame:	405TS	Insulation Class:	F
Phases:	3	NEMA Design:	A
Poles:	2	Nominal Efficiency:	94.1 %
Output Power:	150HP 111KW	Guaranteed Efficiency:	93.0
RPM:	3565	3/4 Load Efficiency:	94.9
Voltage:	460	KVA Code:	G
Hertz:	60	Max KVAR:	30.1
Amps - FL:	163	Power Factor:	88
Service Factor:	1.15	Bearing - DE:	6313C3
Alt Service Factor:	--	Bearing - ODE:	6313C3

Enclosure is Dripproof

Stamped Nameplate Notes:**Additional Information:**

2 POLE DP
 LRA AT 460 VOLTS: 1087.8 AMPS
 NO. OF MOTOR LEADS: 6
 CONDUIT BOX VOLUME (IN³): 1240
 CONDUIT BOX MTL: STAMPED STEEL
 GREASE TYPE: CHEVRON SRI-2 POLYUREA GREASE
 NOT USABLE AT 200V
 50 HZ DATA: 150 HP, 400V, 197 AMPS AT 1.0SF, 2960 RPM
 SOUND POWER: 93.2
 DMK, 06/04, DATA UPDATE 2/2005
 INVERTER DUTY PER NEMA MG1 PART 31
 FOR VARIABLE TORQUE LOADS

Performance Characteristics

1st Winding 1st Connection

Design: 40AD0002A

Marks:

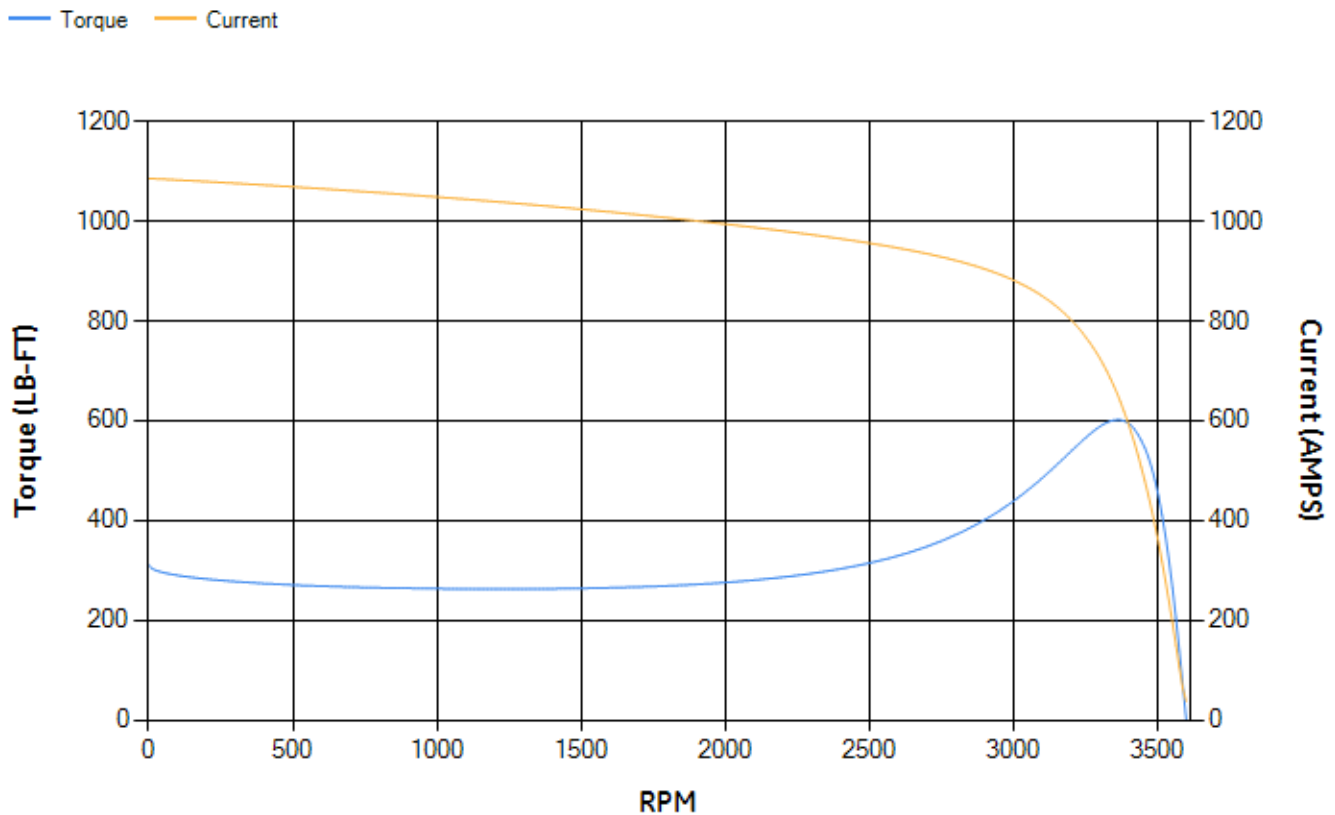
LOAD %	125.0	115.0	100.0	75.0	50.0	25.0	0.0
% EFF	94.16	94.4	94.88	94.88	94.42	91.59	0.00
% PF	91.5	91.58	91.43	90.08	85.56	69.4	7.55
AMPS	203.69	186.76	161.84	123.19	86.89	55.22	37.5

TORQ(FL)#FT	221.03	TORQ(LR)%FL	140.59	TORQ(BD)%FL	271.24
AMPS(LR)	1085.57	PF AT START	0.26		

This motor is capable of two cold or one hot start with a maximum connected load inertia of 370 Lb-Ft Sq (15.58 Kg-meter Sq) at 100% voltage, where the load torque varies with the square of the speed. Acceleration time with maximum inertia and the above load type is 18 seconds. Safe stall time at 100% voltage is 31 seconds cold, 24 seconds hot. Rotor inertia is 20.69 Lb-Ft Sq (0.87 Kg-meter Sq).

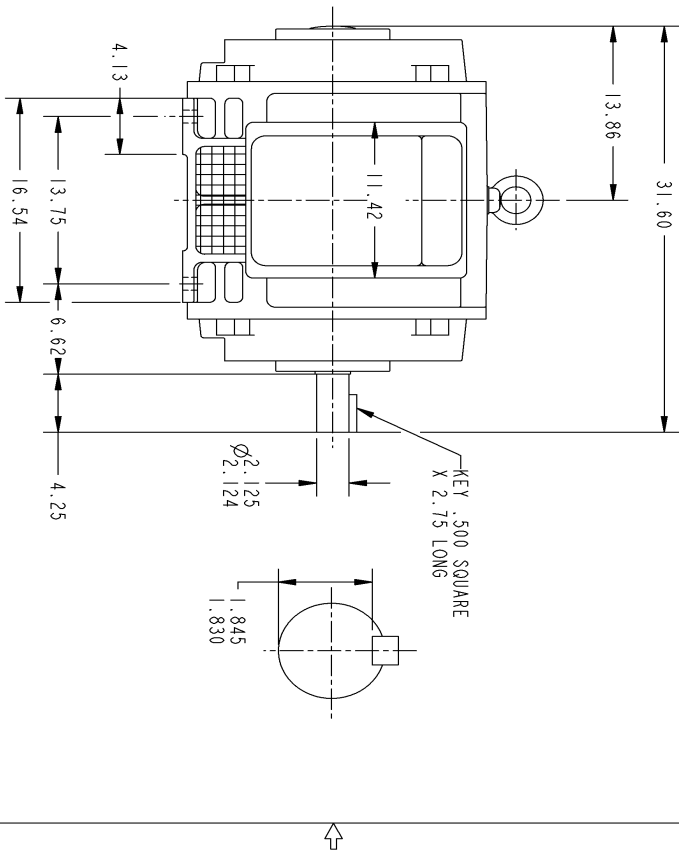
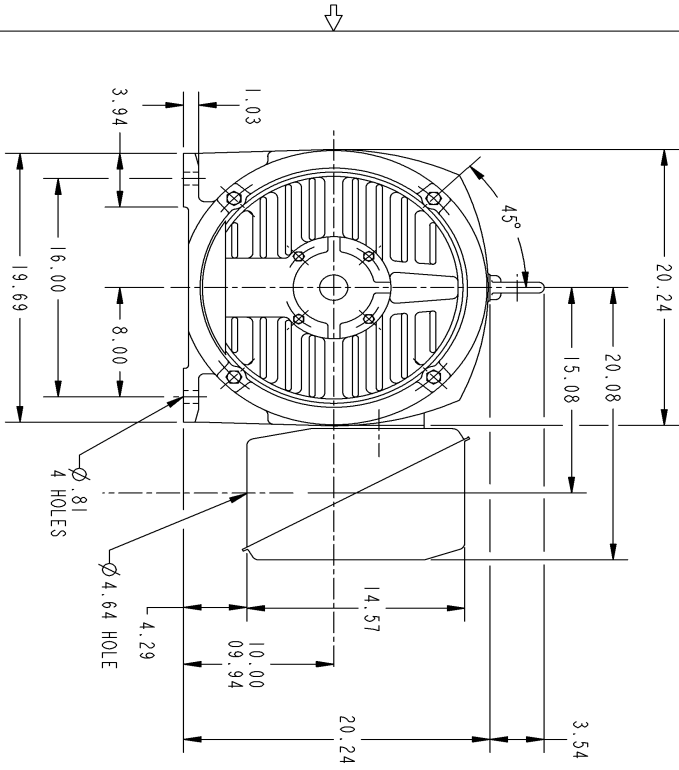
Open Circuit A-C:	1.119	Short Circuit D-C:	0.028
Short Circuit A-C:	0.037	X/R Ratio:	10.413
Stator Slots:	48	Rotor Slots:	40

Speed Torque Current Curve (First Connection, First Speed)



NAME:500903578 OBJECT:358B6203AD DATE:04-May-07 11:00:51

Marks:



GE PROPRIETARY AND CONFIDENTIAL INFORMATION

This document is the property of General Electric Company (GE) and contains proprietary information of GE. This document is loaned on the express condition that neither it nor the information contained therein shall be disclosed to any other person or organization without the prior written approval of GE Industrial Systems. This document shall be returned to GE upon its request. This document is not to be copied, reproduced, or transmitted in any form, by any means, without the prior written approval of GE Industrial Systems.

REV.	DESCRIPTION	DATE	APPROVED
1	ISAAC 07-0770	05/02/07	R. KOHNE

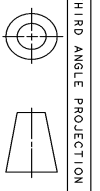
358B6203AD

REV 1

REVISIONS

NOTES :

1. CONDUIT BOX MAY BE PLACED WITH THE ENTRANCE DOWN, UP OR ON EITHER SIDE.
2. F-1 ASM AS SHOWN.
3. F-2 ASM - HAS CONDUIT BOX ON OPPOSITE SIDE.



THIRD ANGLE PROJECTION

FOR ADDITIONAL INFO REFER TO:	SIGNATURES	DATE
APPLIED DIMENSIONS ARE IN INCHES	MODEL	
	REV	
	AMANO	12/12/02
TOLERANCE ON:	DESIGNED	SUBMARK
1 PL DECIMALS ±	ENGR	GANNON RAY
2 PL DECIMALS ±	WKS	
3 PL DECIMALS ±	QUALITY	
FRACTIONS ±	ISSUED	SUBMARK
FINISH	12/13/02	
MATERIAL	SOLD MODEL	MODEL NAME
	B	
TITLE		
405TS - CAST IRON ODP FOOTED		
358B6203AD		
SCALE: DRAWING SCALE		
SHEET 1 OF 1		

GE Industrial Systems GENERAL ELECTRIC COMPANY

Marks:

Connection Diagram
GEM2034E-FIG8

