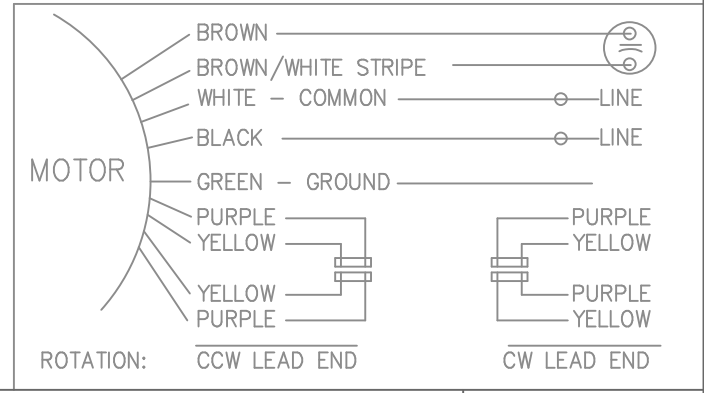


DASH	FRAME	C	A
350	48Y	10.50	4.00
375	48Y	10.75	4.25
425	48Y	11.25	4.75
450	48Y	11.50	5.00
462	48Y	11.62	5.12
475	48Y	11.75	5.25
500	48Y	12.00	5.50

LEAD DESCRIPTION:
 1 BLACK AND 1 WHITE LEAD WITH .50 BARE WIRE STRIP 30.00" LONG.
 2 BROWN CAPACITOR LEADS WITH .25" FLAG QUICK CONNECTS 30.00" LONG. BROWN WITH WHITE MARK IS COMMON TO WHITE.
 REVERSING LEADS ARE MOLDED INTO MATING PULL APART PLUGS. 1 PURPLE AND 1 YELLOW PER PLUG 5.00" LONG.
 GREEN LEAD WITH TERM. FOR #10 SCREW 12.00" LONG.



TOLERANCES UNLESS SPECIFIED	
DEC.	INCHES
.X	±.1
.XX	±.03
.XXX	±.005
.XXXX	±.0005
ANG	±7'30"



TITLE	OUTLINE
MAT'L.	
FINISH	

DRAWN	RP 09-18-2008
CHK	SP 09-18-2008
APPD	NB 09-18-2008
SCALE	3=8
REF	
FMF	08-0421
PREV	

NO.	REVISION	BY & DATE	CHK	ANG	RFP	CAD FILE	SS403774	SIZE	A	DRAWING NO.	SS403774	PAGE	OF	REV.
					DIST	WP								

THIS DRAWING IN DESIGN AND DETAIL IS OUR PROPERTY AND MUST NOT BE USED EXCEPT IN CONNECTION WITH OUR WORK ALL RIGHTS OF DESIGN AND INVENTION ARE RESERVED THIS IS AN ELECTRONICALLY GENERATED DOCUMENT - DO NOT SCALE THIS PRINT