

Product Information Packet

November 8, 2016

Data shown is for the current revision model #. Ensure your nameplate model # matches.

Model Number:	5KS184STE204A
Catalog Number:	M7527
Instruction Manual:	GEI-M1031
Connection Diagram:	GEM2034E-FIG1
Outline Drawing:	358B6270AB

Accessory Connection Diagrams			
Bearing Thermocouple:	None	Heater:	None
RTD:	None	Thermistor:	None
Thermostat:	None	Winding Thermocouple:	None
Bearing RTD:	None		

Table of Contents	
Specification	01
Performance Characteristics	02
Outline Drawing	03
Connection Drawing(s)	04

Marks:

MODEL NUMBER:	5KS184STE204A	Estimated Weight:	111 Lbs
Outline Drawing:	358B6270AB	Time Rating:	CONT
Connection Diagram:	GEM2034E-FIG1	Enclosure:	TEFC
Instruction Book:	GEI-M1031	Encl Construction:	SD
Design Code:	18AD1021B	Ambient Max(°C):	40
Type:	KS	Alt Ambient Max(°C):	--
Frame:	184T	Insulation Class:	F
Phases:	3	NEMA Design:	A
Poles:	4	Nominal Efficiency:	89.5 %
Output Power:	5HP 3.7KW	Guaranteed Efficiency:	87.5
RPM:	1750	3/4 Load Efficiency:	91.4
Voltage:	575	KVA Code:	K
Hertz:	60	Max KVAR:	2.3
Amps - FL:	5.0	Power Factor:	83
Service Factor:	1.15	Bearing - DE:	6207ZZC3
Alt Service Factor:	--	Bearing - ODE:	6206ZZC3

Enclosure is Totally Enclosed Fan-Cooled

Stamped Nameplate Notes:**Additional Information:**

4 POLE, TEFC, LRA: 44.3 AMPS
 SOUND POWER : 74 DBA
 GREASE: SHELL ALVANIA R3 LITHIUM GREASE
 NO. OF MOTOR LEADS: 3
 CONDUIT BOX VOLUME (CU IN): 47.1
 CONDUIT BOX MATERIAL: CAST IRON
 SUITABLE FOR USE IN CLASS I DIVISION 2 LOCATIONS
 CLASS I DIVISION 2 GROUPS A,B,C,D T3C
 CLASS I ZONE 2 IIC T3C

Performance Characteristics

1st Winding 1st Connection

Design: 18AD1021B

Marks:

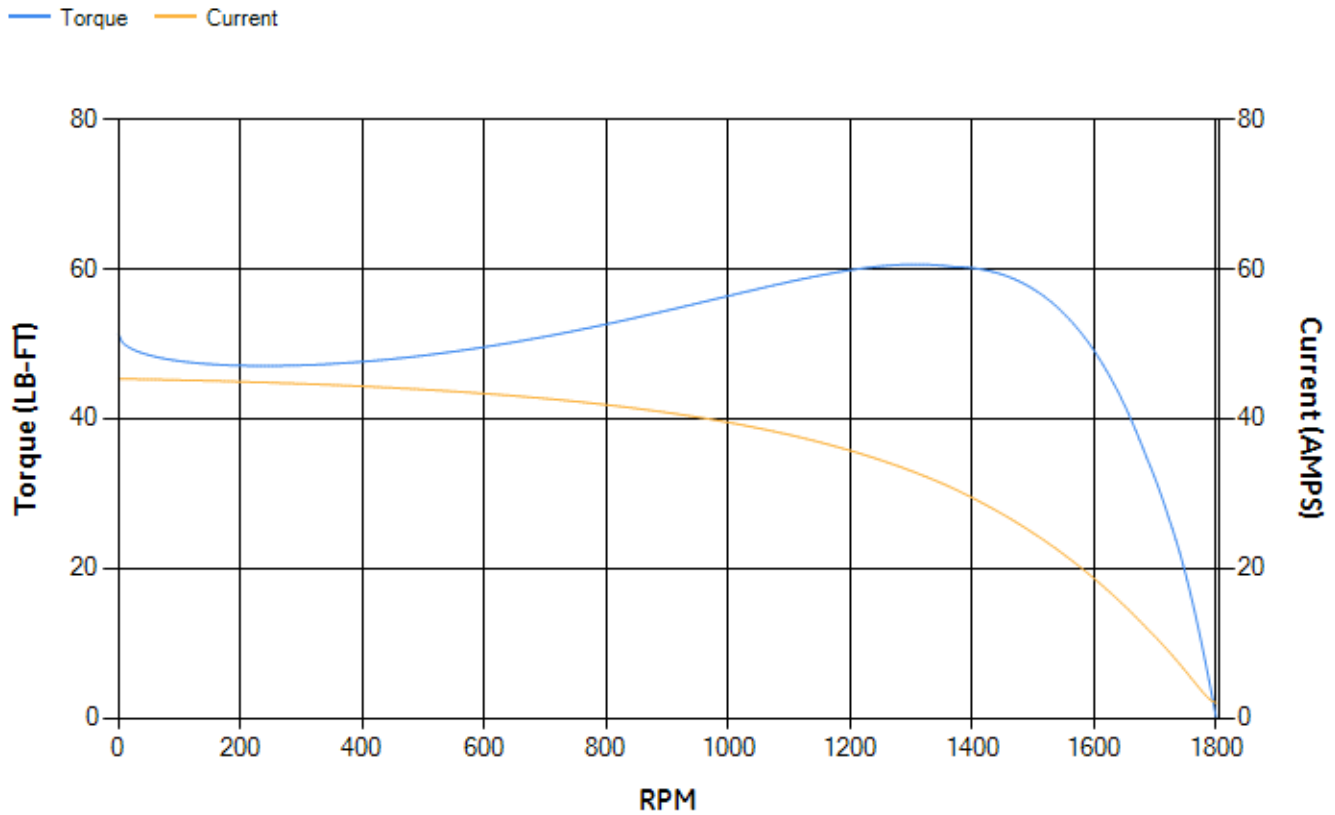
LOAD %	125.0	115.0	100.0	75.0	50.0	25.0	0.0
% EFF	89.33	89.9	90.82	91.36	91.07	87.36	0.00
% PF	84.88	84.27	82.78	77.98	67.61	45.42	5.56
AMPS	6.17	5.68	4.98	3.94	3.04	2.36	2.04

TORQ(FL)#FT	14.97	TORQ(LR)%FL	342.78	TORQ(BD)%FL	395.63
AMPS(LR)	45.33	PF AT START	0.5		

This motor is capable of two cold or one hot start with a maximum connected load inertia of 135 Lb-Ft Sq (5.68 Kg-meter Sq)at 100% voltage, where the load torque varies with the square of the speed. Acceleration time with maximum inertia and the above load type is 17 seconds. Safe stall time at 100% voltage is 40 seconds cold, 27 seconds hot. Rotor inertia is 0.46 Lb-Ft Sq (0.02 Kg-meter Sq).

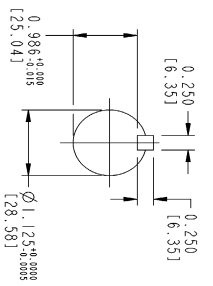
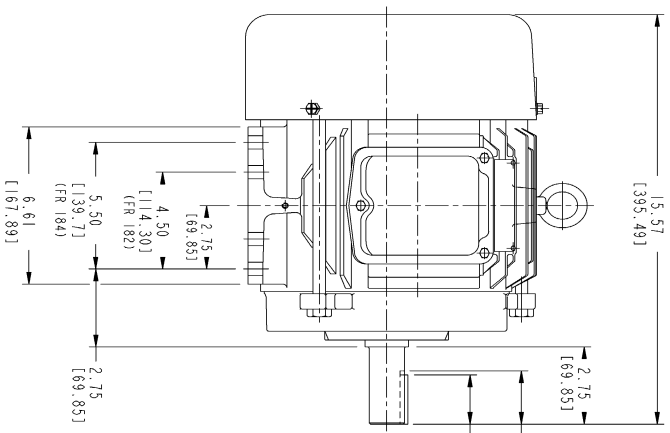
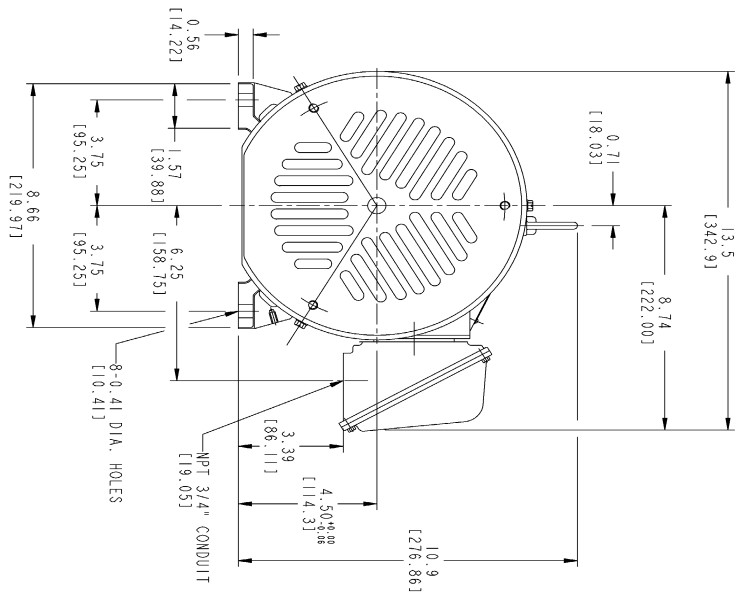
Open Circuit A-C:	0.239	Short Circuit D-C:	0.007
Short Circuit A-C:	0.009	X/R Ratio:	2.702
Stator Slots:	36	Rotor Slots:	28

Speed Torque Current Curve (First Connection, First Speed)

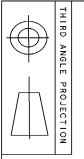


NAME:501452442 OBJECT:358B6270AB DATE:22-Jan-09 11:15:11

Marks:



- NOTES :
1. DIMENSIONS ARE IN INCHES.
 2. F-1 ASM AS SHOWN.
 3. F-2 ASM - HAS CONDUIT BOX ON OPPOSITE SIDE.
 4. BRACKETED DIMENSIONS ARE METRIC (MILLIMETERS)
 5. ICALL, IP54, IMB34 APPLY



THIRD ANGLE PROJECTION

Part must conform to SI 900000 Sect 4, Toxicity Procedure

REV.	DESCRIPTION	DATE	APPROVED
1	ADDED 4 FOOT HOLES	01/21/09	R. PALO

FOR ADDITIONAL INFO REFER TO:	SIGNATURES	DATE
REFLECTED DIMENSIONS SPECIFIED IN INCHES	RETAIL	11/05/07
TOLERANCE ON DIMENSIONS	SANJAY	11/05/07
2 PL DECIMALS ±	R. KOHNE	11/05/07
3 PL DECIMALS ±		
ANGLES ±		
FRACTIONS ±	SOMNITRA	11/05/07
FINISH		

GE Consumer & Industrial GENERAL ELECTRIC COMPANY

OUTLINE

FTD - 1827/184T TERC CE MARK
471 CU IN CONDUIT BOX

358B6270AB

SCALE: C

SHEET 1 OF 1

Marks:

Connection Diagram
GEM2034E-FIG1

