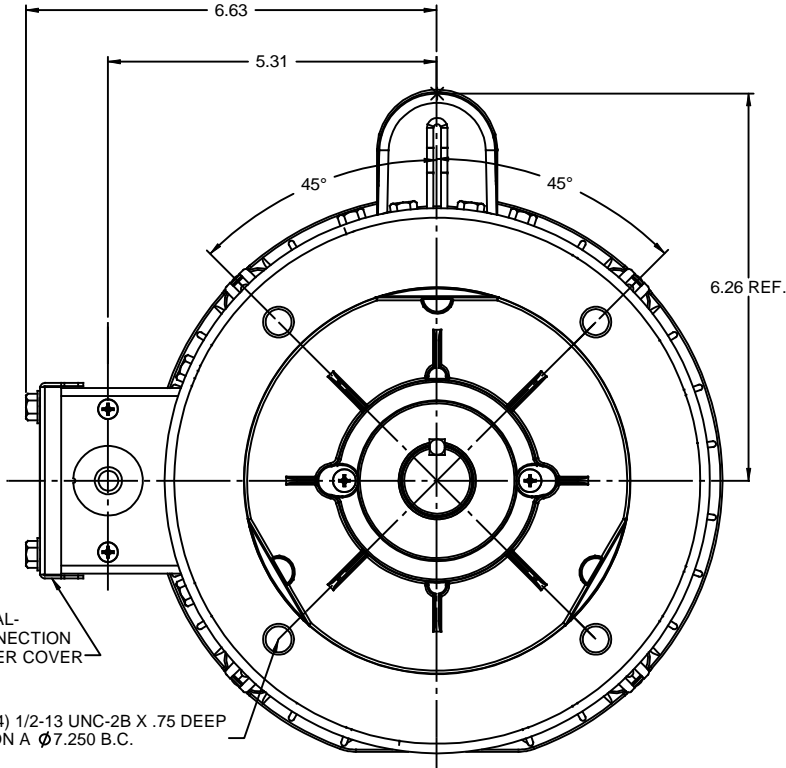
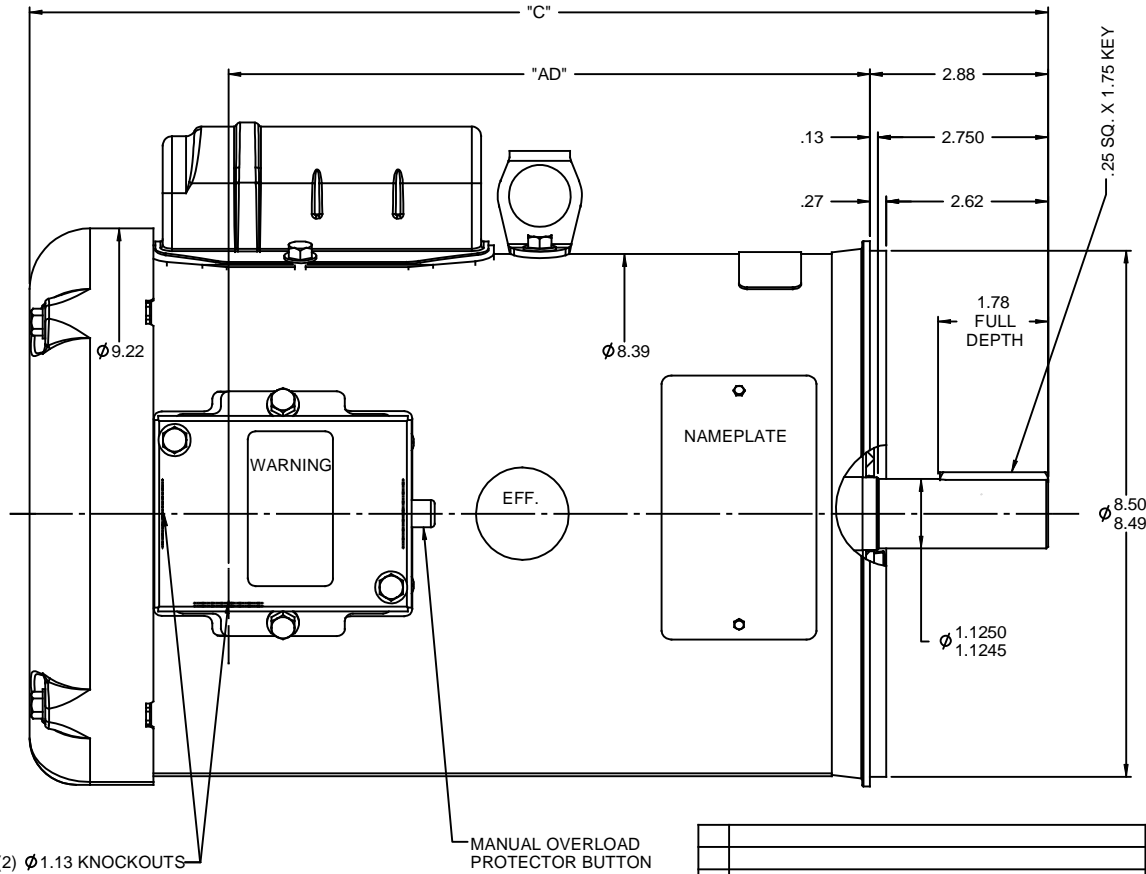
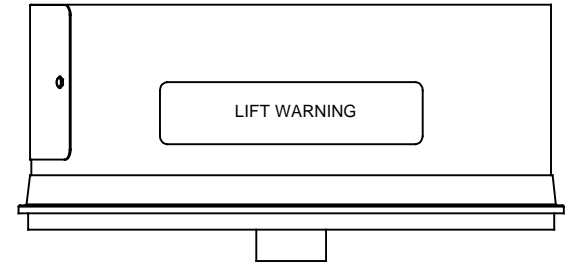


RBC PROPRIETARY AND CONFIDENTIAL INFORMATION  
 This document is the property of REGAL BELOIT CORPORATION ("RBC") including its subsidiaries and divisions and contains proprietary information of RBC. This document is loaned on the express condition that neither it nor the information contained therein shall be disclosed to others without the express written consent of RBC, and that the information shall be used by the recipient only as approved expressly by RBC. This document shall be returned to RBC upon its request. This document may be subject to certain restrictions under U.S. export control laws and regulations.

DASH NO.	"C"	"AD"
850	13.94	7.87
900	14.44	8.37
950	14.94	8.87
1000	15.44	9.37
1050	15.94	9.87
1100	16.44	10.37

MAXIMUM FACE RUNOUT TO BE .004 T.I.R.  
 MAXIMUM PILOT ECCENTRICITY TO BE .004 T.I.R.  
 PERMISSIBLE SHAFT RUNOUT TO BE .002 T.I.R.  
 GASKETS THROUGHOUT



(2) Ø1.13 KNOCKOUTS

MANUAL OVERLOAD PROTECTOR BUTTON

REVISION		BY & DATE	CHK	ANG	FINISH	DRAWING NO		REV
NO			RFP	PREV		SIZE	DRAWING NO	REV
THIRD ANGLE PROJECTION						B	035715	

TOLERANCES UNLESS SPECIFIED		REGAL BELOIT CORPORATION		DRAWN
DEC	INCHES	REGAL BELOIT CORPORATION		LST
X	±.1			2/13/09
XX	±.03	TITLE		CHK
XXX	±.005	OUTLINE 180TC FRAME		APPR
XXXX	±.0005	TEFC: "C" FACE		SCALE
		MAT'L		1:2
				REF
				FMF
				PAGE
				OF
				REV