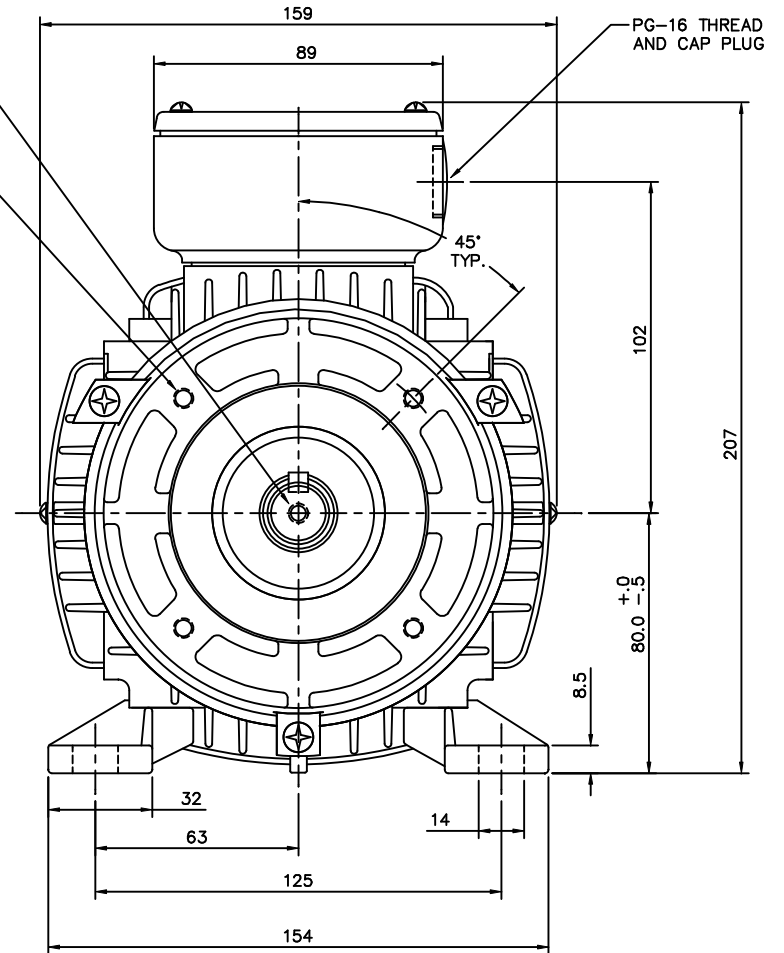


M6-1.00 x 16 DEEP
R.H. THREADED SHAFT

(4) M6-1.00 THRU-THREAD
R.H. ON A $\phi 100.00 \pm 0.17$ B.C.



| TOLERANCES UNLESS SPECIFIED | | MARATHON ELECTRIC | | DRAWN |
|--|------------|--------------------------------------|--------------|-----------------|
| DEC. | INCHES | TITLE | REF | OSVC-300-560 |
| .X | $\pm.1$ | METRIC OUTLINE, IMB34 | 1=1.5 | SCALE |
| .XX | $\pm.03$ | IEC-80 FRAME TEFC RIGID W/B14 FLANGE | OSVC-300-560 | REF |
| .XXX | $\pm.005$ | ALUMINUM | | FMF |
| .XXXX | $\pm.0005$ | | | PREV |
| NO. | REVISION | BY & DATE | CHK | ANG |
| | | | ANG | $\pm 1/2^\circ$ |
| | | | RFP | FINISH |
| | | | DIST | CAD FILE |
| THIS DRAWING IN DESIGN AND DETAIL IS OUR PROPERTY AND MUST NOT BE USED EXCEPT IN CONNECTION WITH OUR WORK ALL RIGHTS OF DESIGN AND INVENTION ARE RESERVED THIS IS AN ELECTRONICALLY GENERATED DOCUMENT - DO NOT SCALE THIS PRINT | | | 16986500ME | SIZE |
| | | | B | DRAWING NO. |
| | | | | 169865-00ME |
| | | | | REV. |