

Product Information Packet

November 7, 2016

Data shown is for the current revision model #. Ensure your nameplate model # matches.

Model Number:	5KS365ATE215A
Catalog Number:	E7393
Instruction Manual:	GEI-M1023
Connection Diagram:	GEM2034E-FIG10
Outline Drawing:	358B6202AA

Accessory Connection Diagrams			
Bearing Thermocouple:	None	Heater:	None
RTD:	None	Thermistor:	None
Thermostat:	None	Winding Thermocouple:	None
Bearing RTD:	None		

Table of Contents	
Specification	01
Performance Characteristics	02
Outline Drawing	03
Connection Drawing(s)	04

Marks:

MODEL NUMBER:	5KS365ATE215A	Estimated Weight:	850 Lbs
Outline Drawing:	358B6202AA	Time Rating:	CONT
Connection Diagram:	GEM2034E-FIG10	Enclosure:	DP
Instruction Book:	GEI-M1023	Encl Construction:	OPEN
Design Code:	36AD1006A	Ambient Max(°C):	40
Type:	KS	Alt Ambient Max(°C):	--
Frame:	365TS	Insulation Class:	F
Phases:	3	NEMA Design:	A
Poles:	4	Nominal Efficiency:	95 %
Output Power:	75HP 55.5KW	Guaranteed Efficiency:	94.1
RPM:	1785	3/4 Load Efficiency:	95.2
Voltage:	230/460	KVA Code:	H
Hertz:	60	Max KVAR:	25.3
Amps - FL:	182.4/91.2	Power Factor:	81
Service Factor:	1.15	Bearing - DE:	6314
Alt Service Factor:	--	Bearing - ODE:	6313

Enclosure is Dripproof

Stamped Nameplate Notes:**Additional Information:**

4 POLE DP
 LRA:1315/657.5
 NO. OF MOTOR LEADS: 12
 CONDUIT BOX VOLUME (IN³): 550
 CONDUIT BOX MTL: STAMPED STEEL
 GREASE TYPE: CHEVRON SRI-2 POLYUREA GREASE
 USABLE AT 200V @ 75HP, 201 AMPS @ 1.0 SF
 50 HZ DATA: 75HP, 200/400V, 212/106 AMPS AT 1.0SF, 1480 RPM
 DMK, 06/04, DATA UPDATE 12/2004
 INVERTER DUTY PER NEMA MG1 PART 31
 FOR VARIABLE TORQUE LOADS

Performance Characteristics

1st Winding 1st Connection

Design: 36AD1006A

Marks:

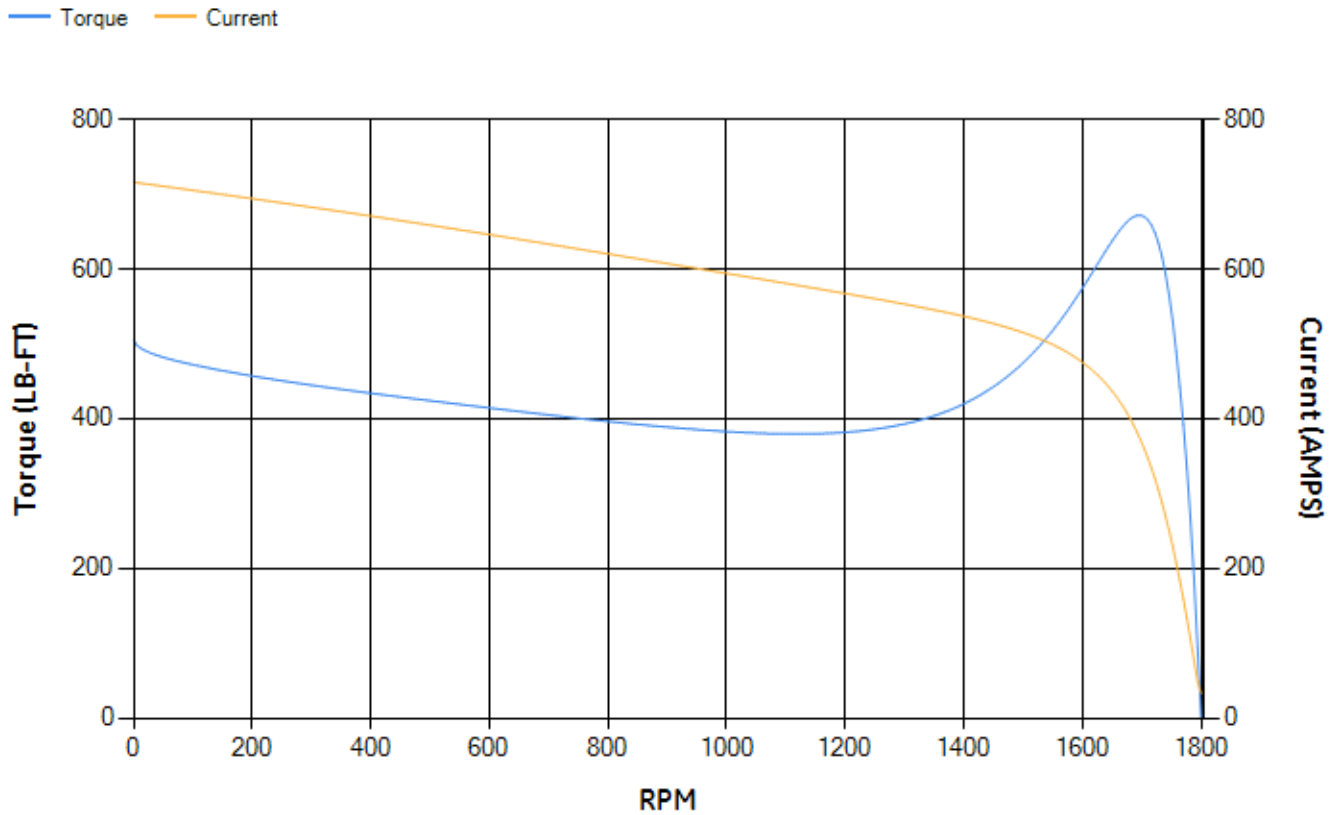
LOAD %	125.0	115.0	100.0	75.0	50.0	25.0	0.0
% EFF	94.76	94.94	95.32	95.15	94.49	91.36	0.00
% PF	84.1	83.8	82.85	79.18	70.31	48.85	4.54
AMPS	110.1	101.46	88.88	69.87	52.83	39.33	32.69

TORQ(FL)#FT	220.92	TORQ(LR)%FL	228.73	TORQ(BD)%FL	303.47
AMPS(LR)	715.92	PF AT START	0.3		

This motor is capable of two cold or one hot start with a maximum connected load inertia of 1696 Lb-Ft Sq (71.4 Kg-meter Sq)at 100% voltage, where the load torque varies with the square of the speed. Acceleration time with maximum inertia and the above load type is 27 seconds. Safe stall time at 100% voltage is 46 seconds cold, 36 seconds hot. Rotor inertia is 14.74 Lb-Ft Sq (0.62 Kg-meter Sq).

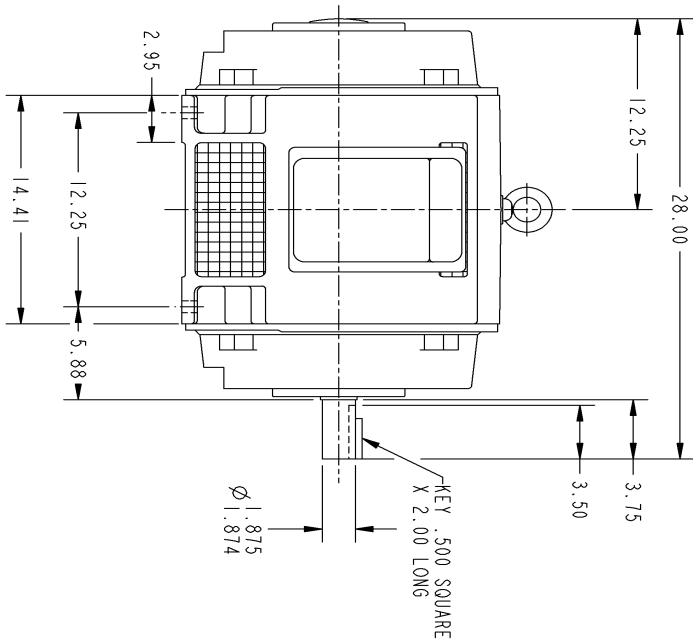
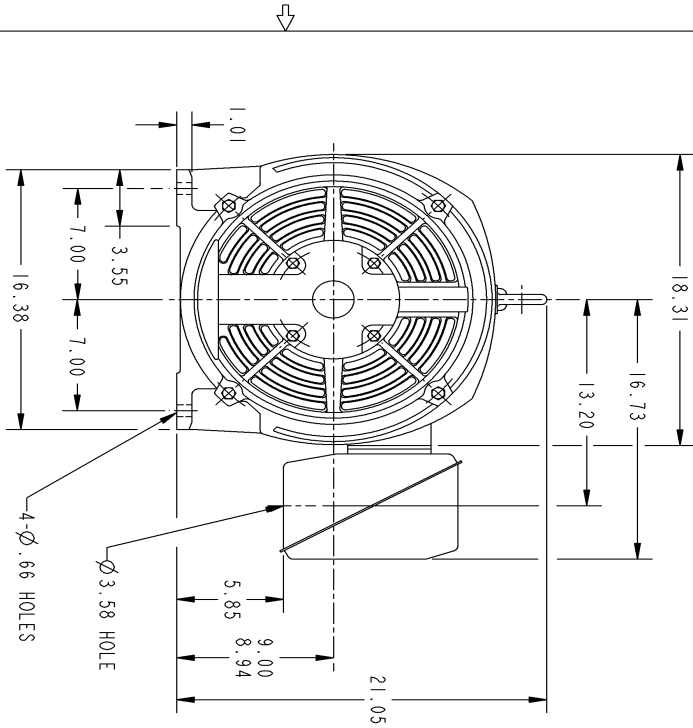
Open Circuit A-C:	0.711	Short Circuit D-C:	0.03
Short Circuit A-C:	0.033	X/R Ratio:	11.431
Stator Slots:	48	Rotor Slots:	40

Speed Torque Current Curve (First Connection, First Speed)



NAME:501053131 OBJECT:358B6202AA DATE:02-May-07 09:03:29

Marks:



GE PROPRIETARY AND CONFIDENTIAL INFORMATION

This document is the property of General Electric Company (GE) and contains proprietary information of GE. This document is loaned to the express condition that neither it nor the information contained therein shall be disclosed to any other person or organization without the express written approval of GE Industrial Systems. This document shall be returned to GE upon its request. This drawing is not to be used for manufacturing or repair without the express approval of GE Industrial Systems. This drawing is not to be used for manufacturing or repair without the express approval of GE Industrial Systems.

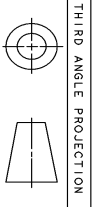
REV.	DESCRIPTION	DATE	APPROVED
1	ISAAC 07-0770	04/27/07	RHONDA

REVISIONS

SIZE	DRAWING NO.	REV	SHEET
B	358B6202AA	1	1

NOTES :

1. CONDUIT BOX MAY BE PLACED WITH THE ENTRANCE DOWN, UP OR ON EITHER SIDE.
2. F-1 ASM AS SHOWN.
3. F-2 ASM - HAS CONDUIT BOX ON OPPOSITE SIDE.



APPLIED DIMENSIONS ARE IN INCHES	FOR ADDITIONAL INFO REFER TO:	SIGNATURES	DATE
TOLERANCE ON: 1 PL DECIMALS ± . 2 PL DECIMALS ± . 3 PL DECIMALS ± . ANGLES ± . FRACTIONS ± . FINISH	MODEL RETAIL	AMAND	12/12/02
DESIGNED	ENGINEER	SUDHAKAR	12/12/02
ISSUED	QUALITY	GANNON RAY	12/12/02
SOLID MODEL	QUALITY	SUDHAKAR	12/13/02
SOLID MODEL	QUALITY	SUDHAKAR	12/13/02

GENERAL ELECTRIC COMPANY

GE Industrial Systems

TITLE

365TS - CAST IRON ODP FOOTED

358B6202AA

SCALE: DRAWING SCALE

SHEET 1 of 1

Marks:

Connection Diagram
GEM2034E-FIG10

