

DATE
APRIL 16, 2011
CATALOG NO.
XP0506

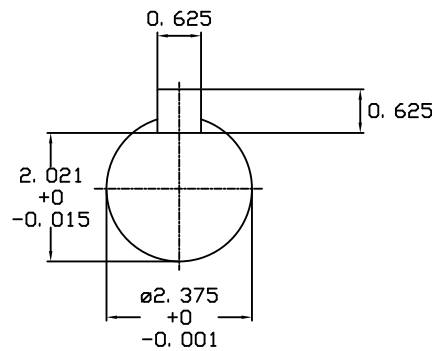
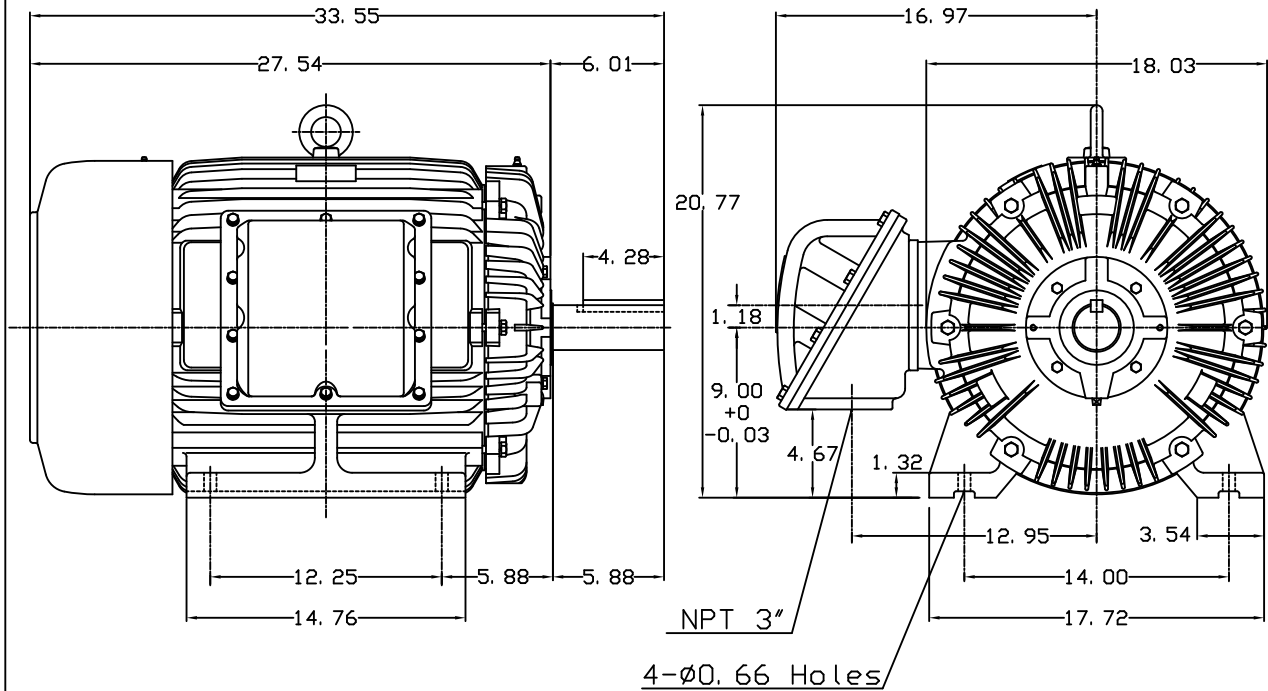
OUTLINE DIMENSIONS
3-PHASE INDUCTION MOTOR

MOTOR TYPE:
AEHHXU
FRAME NO. 365T

| Pole | HP | KW | Hz | VOLT | Syn. Speed RPM |
|------|----|------|----|---------|-------------------|
| 6 | 50 | 37.3 | 60 | 230/460 | 1200 |

| Ins | Rating | Dimension in | Approx Weight | Bearings | |
|-----|--------|--------------|---------------|----------|-----------|
| F | CONT. | inches | 1019 lbs. | DE: 6313 | NDE: 6213 |

Totally Enclosed Fan-Cooled Type. Squirrel-Cage Rotor.



NOTE:
1. EXPLOSION-PROOF:
CLASS I GROUP C, D AND
CLASS II GROUP E,F,G.

03. 16. 00

J. C. LIN

| | | |
|-------|-------------|----------|
| DWN. | J. H. LIANG | 11-30-98 |
| CHKD. | C. H. KAO | 12-26-98 |
| APPD. | Y. B. HUANG | 12-26-98 |

TECO Westinghouse

DWG NO.
31049M632130