

4

3

2

1

REV	ECO	REV BY	DATE	APPD	DATE
K	0024317	Y.LIU	03-12-2012	B.SHEN	03-12-2012

GENERAL INFORMATION:

SHAFT RUNOUT: .001[.03] T.I.R. PER INCH LENGTH OF EXTENSION.

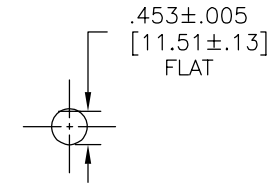
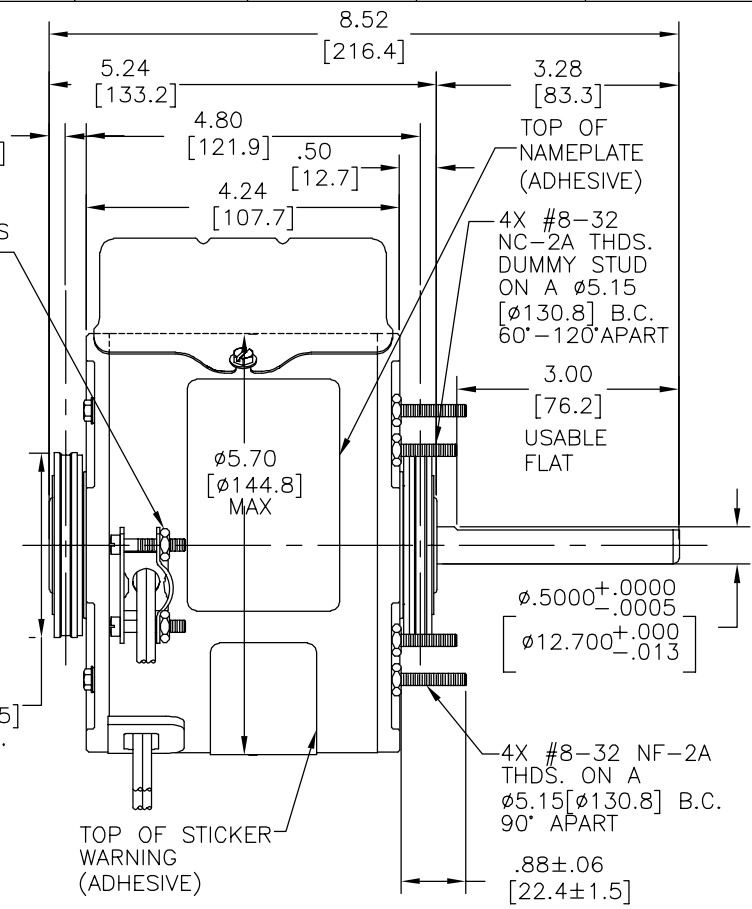
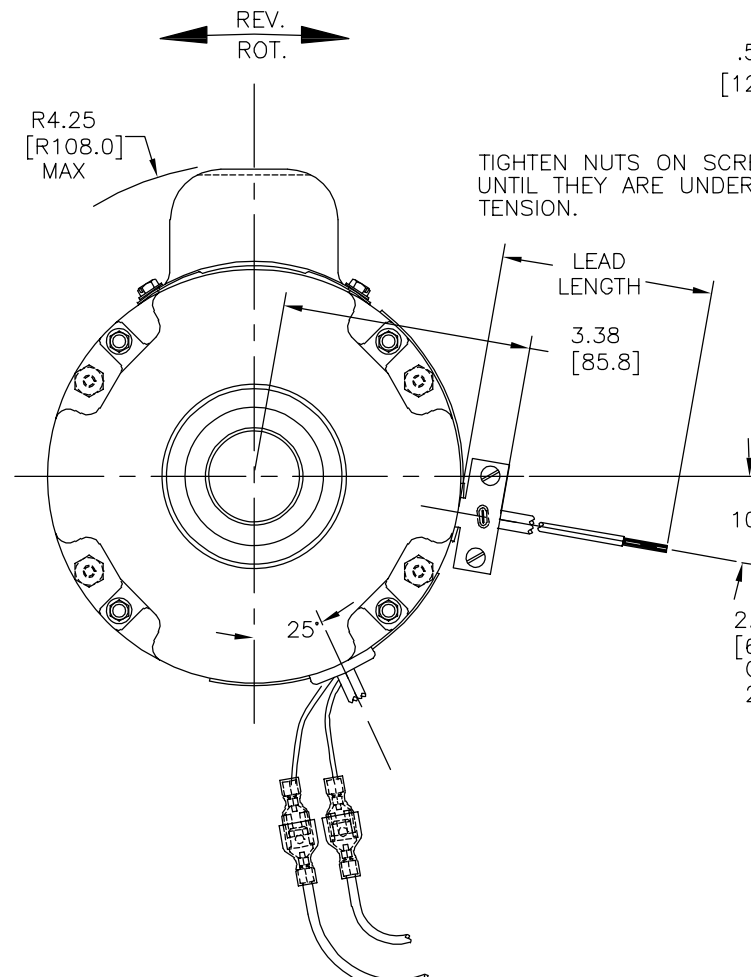
BEARINGS: BALL

MOUNTING POSITION: HORIZONTAL

ELECTRICAL DATA:

OVERLOAD PROTECTOR: AUTOMATIC RESET (T.I. 7AM 036)

LEADS: NO. 18 GA., .03[.8] THK. XLP, 125°C INSUL.



NOTE:  
 (1) MOUNTING BASE AND  
 (2) MOUNTING CLAMP ASSEMBLIES TO BE SHIPPED SEPARATELY IN EACH CARTON WITH MOTOR.  
 MOTOR SHIPPED CONNECTED FOR CCWLE ROTATION.

BLUE	5.0/7.0 [127/178]	PRE-INSUL. TAB TERM.
PURPLE	5.0/7.0 [127/178]	PRE-INSUL. TAB TERM.
RED	5.0/7.0 [127/178]	PRE-INSUL. TAB TERM.
ORANGE	5.0/7.0 [127/178]	PRE-INSUL. TAB TERM.
BROWN/WHITE	CONNECTED TO CAPACITOR	.25[6.4] FLAT
BROWN	CONNECTED TO CAPACITOR	.25[6.4] FLAT
BLACK	58.0/62.0 [1473/1574]	.60[15.2] SKIN
YELLOW	58.0/62.0 [1473/1574]	.60[15.2] SKIN
COLOR	LENGTH	TERMINAL OR STRIP LENGTH

MAIN FRAME - OLE	ENCLOSED
END FRAME - OLE	ENCLOSED
MAIN FRAME - LE	ENCLOSED
END FRAME - LE	ENCLOSED

CUSTOMER	DISTRIBUTION SERVICE
----------	----------------------

NAMEPLATE DATA:	EXTERNAL CONNECTION DIAGRAM
MODEL NO.: F48J84A01 CUST. P/N: UH1016 HP: 1/6 ROT.: REVERSIBLE RPM: 1075 TYPE: UF FRAME: 48Y VOLTS: 115 PH: 1 AMPS: 2.2 HZ: 60 INS.: B AMB.: 60° C DUTY: AIR OVER CAP.: 5 MFD/370V ENCL: ENCLOSED UL LOGO CSA LOGO THERMALLY PROTECTED	<p>BROWN</p> <p>BROWN/W</p> <p>YELLOW</p> <p>BLACK</p> <p>BLUE</p> <p>PURPLE</p> <p>RED</p> <p>ORANGE</p> <p>SHOWN FOR CCWLE ROT. FOR CWLE ROT. INTERCHANGE PURPLE AND ORANGE LEADS.</p>

PERFORMANCE CURVE NO.	TORQUE @ 1075 RPM (25°C)	APPROVED SAMPLE	UL COMPONENT	CSA
C31497	15.9 OZ. FT.	97AC294A	FILE # CCN # FILE # CLASS #	FILE # CLASS #

GEOMETRIC CHARACTERISTICS & SYMBOLS  
 □ FLATNESS  
 — STRAIGHTNESS  
 < ANGLARITY  
 ⊥ PERPENDICULARITY (SQUARENESS)  
 // PARALLELISM  
 ○ ROUNDNESS (CIRCULARITY)  
 ⌀ CYLINDRICITY  
 △ PROFILE OF ANY SURFACE  
 ▽ PROFILE OF ANY LINE  
 ↗ RUNOUT  
 ⊕ TRUE POSITION  
 ⊙ CONCENTRICITY  
 = SYMMETRY

REGAL-BELOIT CORPORATION (RBC) PROVIDES TECHNICAL ASSISTANCE TO OUR CUSTOMERS IN SEVERAL AREAS. SINCE RBC DOES NOT RECEIVE ALL DATA CONCERNING THE USE AND APPLICATION OF THE MOTOR, THE SUITABILITY OF THE MOTOR FOR THE APPLICATION MUST BE DETERMINED BY THE CUSTOMER.

DIMENSIONS WITHOUT TOLERANCES ARE FOR REFERENCE ONLY.

DR BY: Y.LIU 03-12-2012  
 APPD: B.SHEN 03-12-2012  
 THIRD ANGLE PROJECTION  
 EDS DATE 11-11-2011  
 FORMAT REV G  
 CONFIDENTIAL: THIS DRAWING AND ITS INFORMATION ARE THE EXCLUSIVE AND CONFIDENTIAL PROPERTY OF REGAL-BELOIT CORPORATION AND ARE NOT TO BE DISCLOSED, DUPLICATED, DISTRIBUTED OR OTHERWISE USED WITHOUT THE WRITTEN CONSENT OF REGAL-BELOIT CORPORATION. -ALL RIGHTS RESERVED.

**REGAL-BELOIT CORPORATION**

DESCRIPTION: MODEL-RFHP-48FR OUTLINE

SIZE: C DWG NO: UH1016

SCALE: NONE SHEET: 1

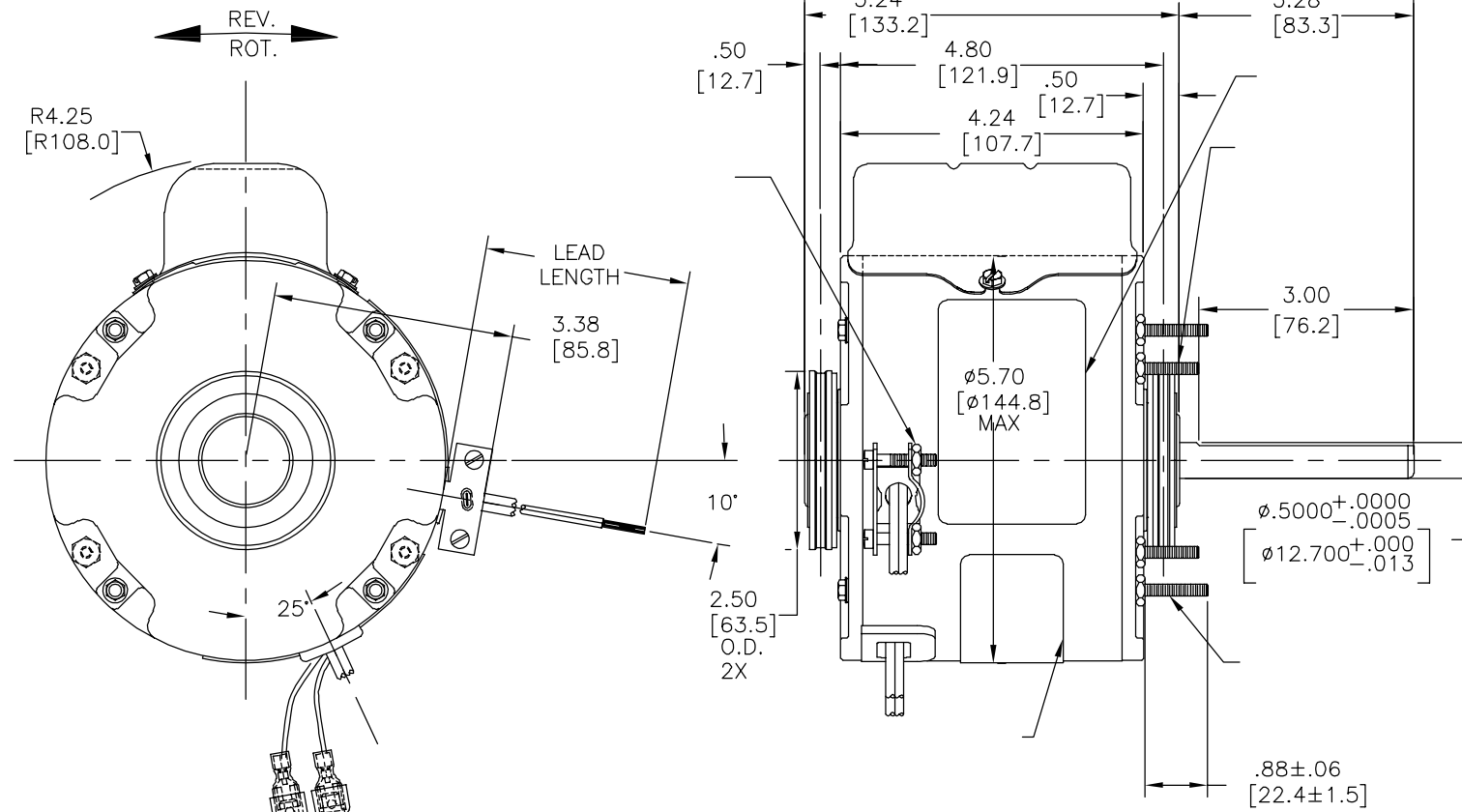
4

3

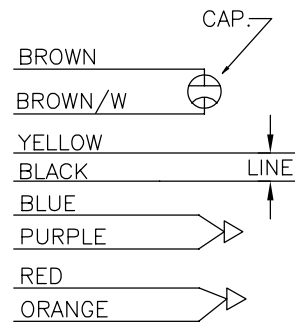
2

1

REVISION:	ECO	REVISADO POR:	FECHA:	APROBADO POR:	FECHA:
K	0024317	Y.LIU	03-12-2012	B.SHEN	03-12-2012



MODEL NO.: F48J84A01  
 CUST. P/N: UH1016  
 HP: 1/6  
 ROT.: REVERSIBLE  
 RPM: 1075  
 TYPE: UF  
 FRAME: 48Y  
 VOLTS: 115  
 PH: 1  
 AMPS: 2.2  
 HZ: 60  
 INS.: B  
 AMB.: 60° C  
 DUTY: AIR OVER  
 CAP.: 5 MFD/370V  
 ENCL: ENCLOSED  
 UL LOGO  
 CSA LOGO  
 THERMALLY PROTECTED



SHOWN FOR CCWLE  
 ROT.FOR CWLE ROT.  
 INTERCHANGE PURPLE  
 AND ORANGE LEADS.

614131-124

	5.0/7.0	
	[127/178]	
	5.0/7.0	
	[127/178]	
	5.0/7.0	
	[127/178]	
	5.0/7.0	
	[127/178]	
	58.0/62.0	
	[1473/1574]	
	58.0/62.0	
	[1473/1574]	

C31497 15.9 OZ. FT. 97AC294A E46412 PRGY2 LR43341 4211-01

DISTRIBUTION SERVICE

CARACTERISTICAS DE GEOMETRIA Y SIMBOLOS  
 □ PLANICIDAD  
 — RECTITUD  
 < ANGULARIDAD  
 ⊥ PERPENDICULARIDAD (A ESCUADRA)  
 // PARALELISMO  
 ○ REDONDEZ (CIRCULARIDAD)  
 ∅ CILINDRICIDAD  
 △ PERFIL DE CUALQUIER SUPERFICIE  
 ∩ PERFIL DE CUALQUIER LINEA  
 ∩ VARIACION  
 ⊕ POSICION REAL  
 ⊙ CONCENTRICIDAD  
 = SIMETRIA  
 ASME Y14.5M 1994

REGAL-BELOIT CORPORATION (RBC)  
 PROVEE ASISTENCIA TECNICA A  
 NUESTROS CLIENTES EN VARIAS AREAS.  
 DESDE QUE RBC NO RECIBE TODOS  
 LOS DATOS EN RELACION AL USO Y A  
 LA APLICACION DEL MOTOR, LA  
 APLICACION ADECUADA DEL MOTOR  
 DEBE SER DETERMINADA POR EL  
 CLIENTE.

DIMENSIONES SIN TOLERANCIA SON  
 DE REFERENCIA SOLAMENTE

DIBUJADO POR:  
 Y.LIU

03-12-2012

APROBADO POR:  
 B.SHEN

03-12-2012

TERCER ANGULO  
 DE PROYECCION



FECHA EDS: 11-11-2011  
 REV. FORMATO: G

CONFIDENCIAL: ESTE DIBUJO Y SU INFORMACION  
 SON PROPIEDAD DE USO EXCLUSIVO Y CONFIDENCIAL DE  
 REGAL-BELOIT CORPORATION. Y NO DEBERAN SER REVELADOS,  
 DUPLICADOS, DISTRIBUIDOS O USARSE DE OTRA MANERA  
 SIN EL CONSENTIMIENTO ESCRITO DE REGAL-BELOIT  
 CORPORATION. -TODOS LOS DERECHOS RESERVADOS.



DESCRIPCION:

MODEL-RFHP-48FR  
 OUTLINE

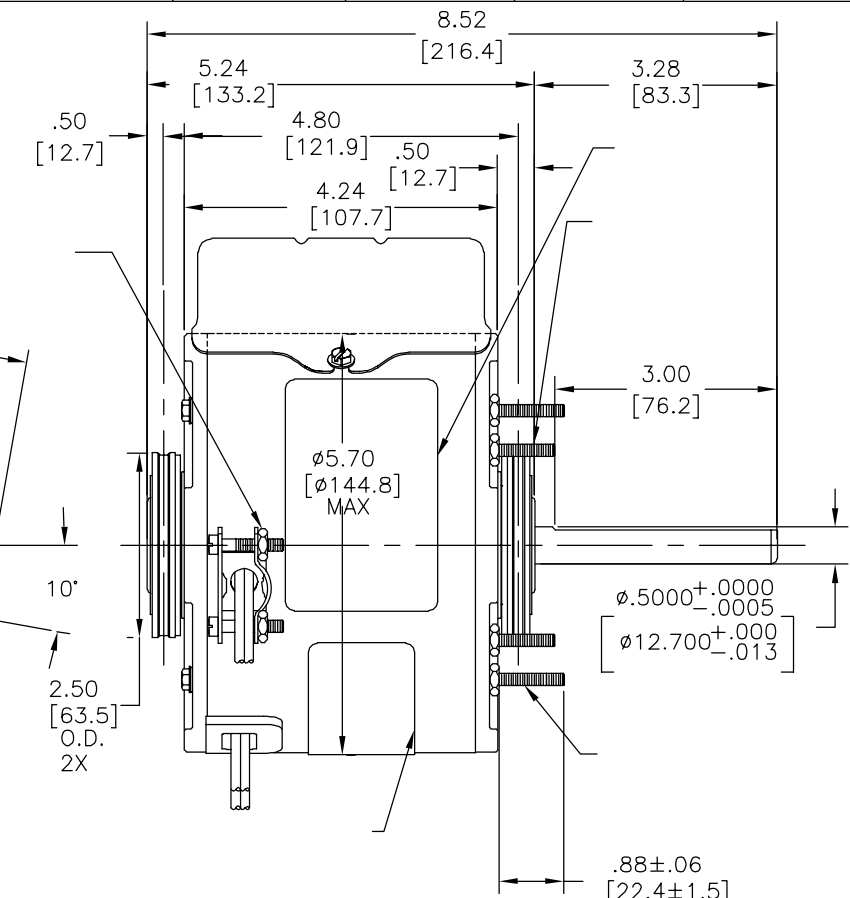
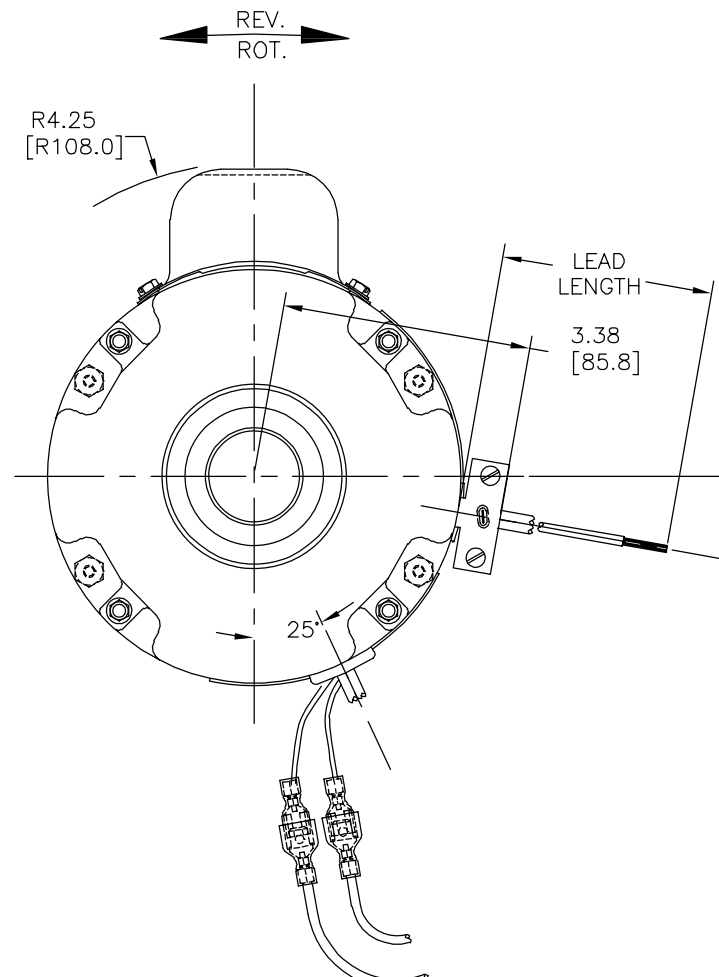
TAMAÑO: C

NUMERO DE DIBUJO:  
 UH1016

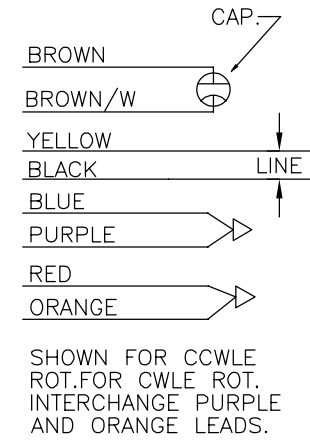
ESCALA:NONE

HOJA: 1

版本	ECO	编制	日期	批准	日期
K	0024317	Y.LIU	03-12-2012	B.SHEN	03-12-2012



MODEL NO.: F48J84A01  
 CUST. P/N: UH1016  
 HP: 1/6  
 ROT.: REVERSIBLE  
 RPM: 1075  
 TYPE: UF  
 FRAME: 48Y  
 VOLTS: 115  
 PH: 1  
 AMPS: 2.2  
 HZ: 60  
 INS.: B  
 AMB.: 60° C  
 DUTY: AIR OVER  
 CAP.: 5 MFD/370V  
 ENCL: ENCLOSED  
 UL LOGO  
 CSA LOGO  
 THERMALLY PROTECTED



	5.0/7.0	
	[127/178]	
	5.0/7.0	
	[127/178]	
	5.0/7.0	
	[127/178]	
	5.0/7.0	
	[127/178]	
	58.0/62.0	
	[1473/1574]	
	58.0/62.0	
	[1473/1574]	

C31497	15.9 OZ. FT.	97AC294A	E46412	PRGY2	LR43341	4211-01
--------	--------------	----------	--------	-------	---------	---------

- 形位公差
- 平面度
- 直线度
- ∠ 倾斜度
- ⊥ 垂直度
- // 平行度
- 圆度
- ⊘ 圆柱度
- △ 面轮廓度
- ∇ 线轮廓度
- ↗ 圆跳动
- ⊕ 位置度
- ⊙ 同轴度
- ≡ 对称度

ASME Y14.5M 1994

REGAL-BELOIT CORPORATION (RBC) 在个别领域为客户提供技术支持。鉴于RBC未收到任何涉及电机使用和应用环境的数据，电机的适用性由客户自己决定。

未注公差尺寸仅供参考。

绘图:	Y.LIU	03-12-2012
批准:	B.SHEN	03-12-2012
第三角投影		图纸格式发布日期 11-11-2011 图纸格式版本 G
机密:	本图纸及相关信息所有权归REGAL-BELOIT CORPORATION。未经REGAL-BELOIT CORPORATION书面授权，不得泄露、复制、传播或作其他用途。—版权所有	

REGAL-BELOIT CORPORATION

名称: MODEL-RFHP-48FR OUTLINE

图幅: C 图号: UH1016

比例: NONE 页号: 1

DISTRIBUTION SERVICE