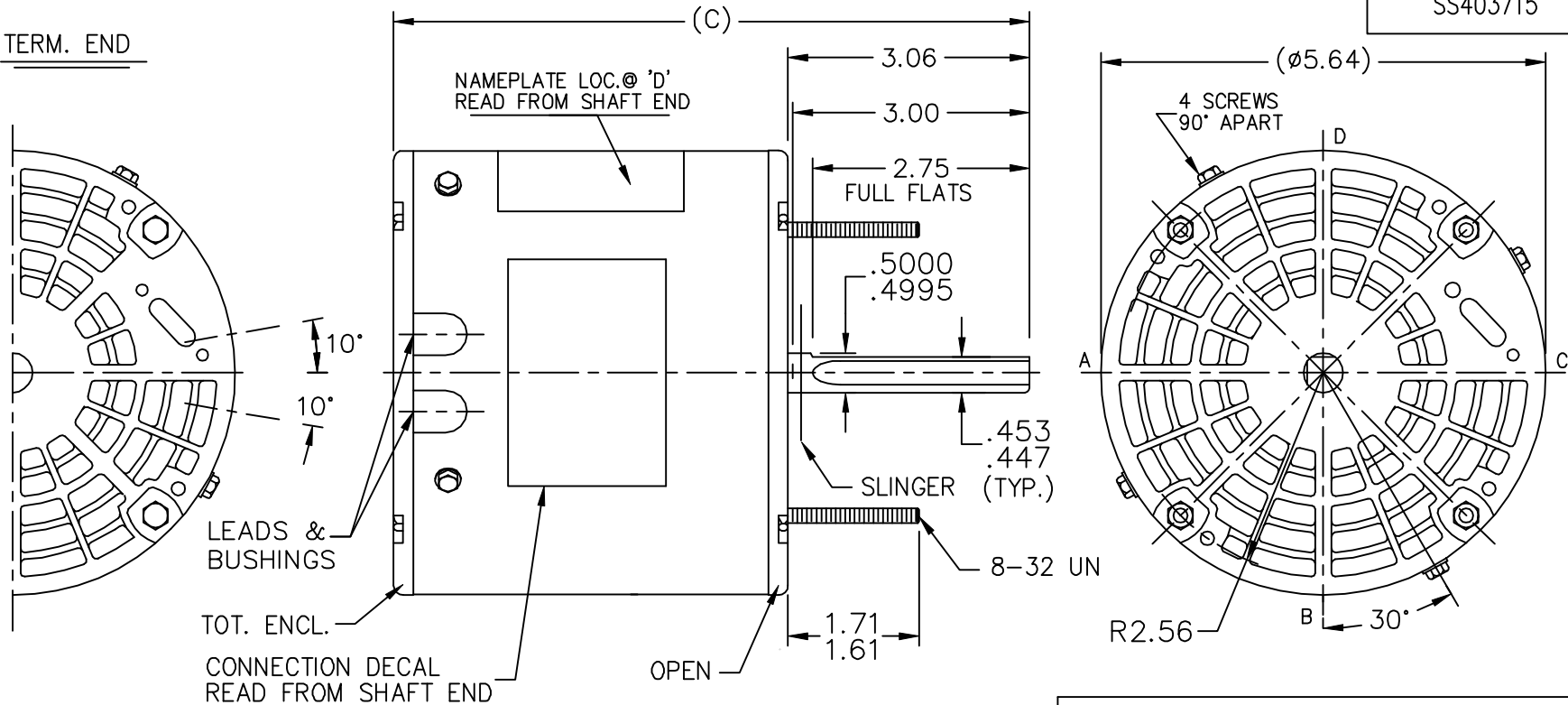


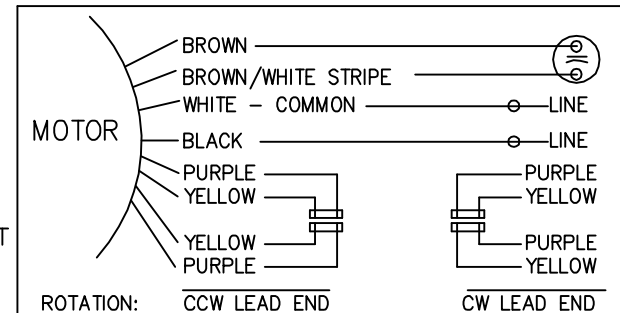
SS403715

TERM. END



LEAD DESCRIPTION:  
 1 BLACK AND 1 WHITE LEAD WITH .50 BARE WIRE STRIP 37.50" LONG.  
 2 BROWN LEADS WITH .25 FLAG-TYPE QUICK CONNECTS 37.50" LONG.  
 WHITE MARKED LEAD IS COMMON TO WHITE.  
 REVERSING LEADS ARE MOLDED INTO MATING PULL-APART PLUGS 1 PURPLE AND 1 YELLOW LEAD PER PLUG. 5.00" LONG.

DASH	FR	C	A
325	48Y	6.81	3.75



TOLERANCES UNLESS SPECIFIED	
DEC.	INCHES
.X	±.1
.XX	±.02
.XXX	±.005
.XXXX	±.0005
NO.	REVISION
	BY & DATE
CHK	ANG ±7'30"

**MARATHON ELECTRIC**

TITLE OUTLINE

MAT'L.

FINISH

DRAWN	SP 05-14-2008
CHK	NB 02-25-2008
APPD	SP 05-14-2008
SCALE	1=2
REF	SS73906
FMF	08-0421
PREV	

THIS DRAWING IN DESIGN AND DETAIL IS OUR PROPERTY AND MUST NOT BE USED EXCEPT IN CONNECTION WITH OUR WORK ALL RIGHTS OF DESIGN AND INVENTION ARE RESERVED THIS IS AN ELECTRONICALLY GENERATED DOCUMENT - DO NOT SCALE THIS PRINT

RFP	05-14-2008	CAD FILE	SS403715	SIZE	DRAWING NO.	PAGE 1 OF 1	REV.
DIST	WP			A	SS403715		