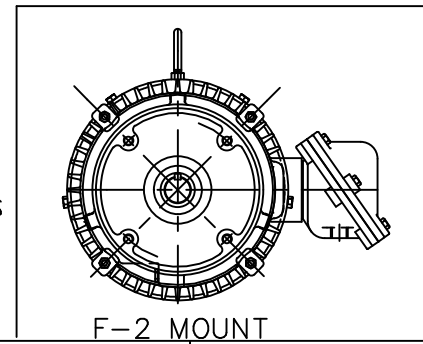


NOTES:

1. BOX CAN BE ROTATED IN 90° STEPS.
2. BOX CAN BE MOUNTED ON OPPOSITE SIDE BY REMOVING BRACKETS AND TURNING FRAME 180° THIS MODIFICATION CAN BE PERFORMED ONLY BY MARATHON ELECTRIC OR BY A FACILITY THAT IS COVERED UNDER UNDERWRITERS LABORATORIES INC.PTKQ, TITLED "MOTOR AND GENERATORS, REBUILT FOR USE IN HAZARDOUS LOCATIONS"



DASH	FR.	C	AG	BV		
725	213T	19.50	16.38	7.25		
875	215T	21.00	17.88	8.00		
1000	215T	22.25	19.13	8.62		

NO.	REVISION	BY & DATE	CHK	ANG	TOLERANCES UNLESS SPECIFIED
10	UPDATED DRAWING	TJW 04/27/2007			
9	ADDED F2 MOUNT AND UPDATED THE NOTE.	ST 2/12/2007	SVL	DEC.	INCHES
8	REDRAWN IN AUTOCAD	TAT 07-06-2004	ML	.X	±.1
7	REMOVED HOLE IN FAN GUARD CN 31183	TJB 06-08-2001		.XX	±.03
6	CLARIFIED FRAME AND CONDUIT BOX CN 29200-978	BLR 10-16-2000		.XXX	±.005
5	ADDED EYEBOLT CN 16783	MRB 12-14-1994		.XXXX	±.0005
					±7'30"



TITLE OUTLINE
210T FR. - EPFC - C' FACE
MAT'L.
FINISH

DRAWN	KL 03-15-1994
CHK	ML 03-16-1994
APPD	GK 03-16-1994
SCALE	1=5
REF	
FMF	
PREV	

THIS DRAWING IN DESIGN AND DETAIL IS OUR PROPERTY AND MUST NOT BE USED EXCEPT IN CONNECTION WITH OUR WORK ALL RIGHTS OF DESIGN AND INVENTION ARE RESERVED THIS IS AN ELECTRONICALLY GENERATED DOCUMENT - DO NOT SCALE THIS PRINT			RFP	CAD FILE	ss84054	SIZE	DRAWING NO.	PAGE	OF	REV.
			DIST	LB		A	SS84054			10