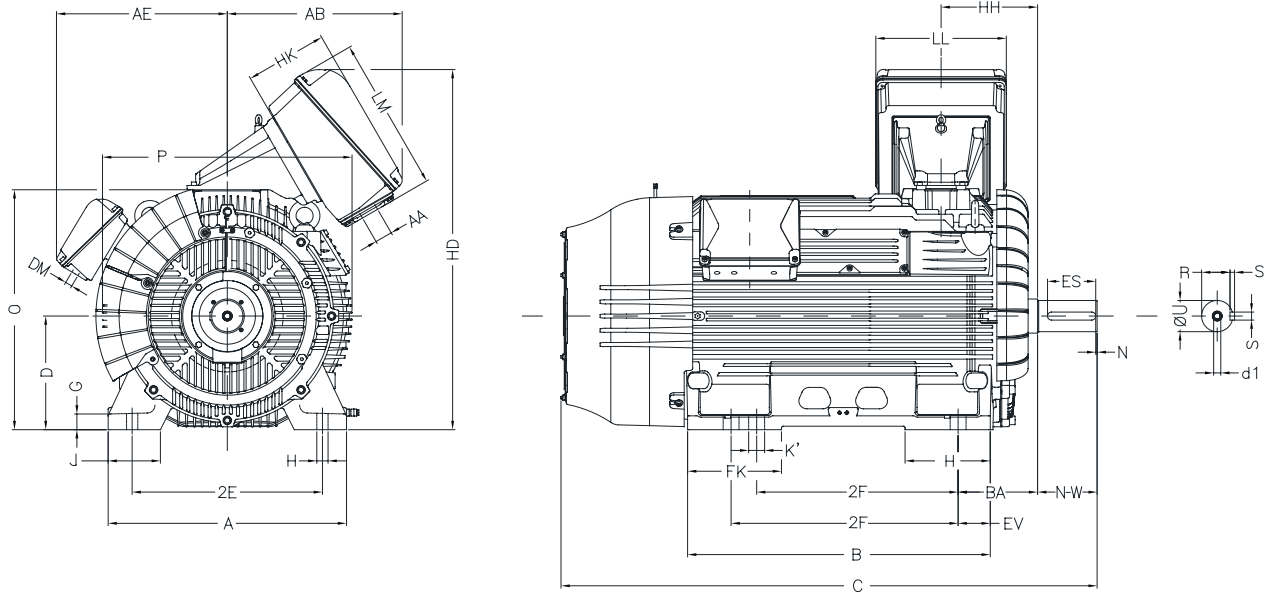


W50 Medium Voltage Motors

TEFC - Mechanical Data



Frame	# of Poles	2E	J	A	P	AB	AE	2F	K	B	FK	EV	H	SHAFT END					
														U	N-W	ES	N	S	R
5009/10	2	20.000	5.276	24.724	27.795		21.339	28.000/	11.120	32.677	11.120	3.150	1.181	2.375	4.750	4.331	0.625	2.020	
	4/6/8							32.000/						3.625	10.625	9.055		0.875	3.134
5809/10	2	23.000	5.793	29.528	31.102		22.402	32.000/	11.596	42.415	11.596	3.583	1.181	2.375	4.750	4.331	0.625	2.020	
	4/6/8							36.000/						3.875	11.625	9.843	1.000	3.307	
6806/07	2	27.000	7.064	33.071	34.646	24.378	23.697	28.000/	11.740	42.226	12.921	4.575	2.205	3.250	5.750	4.331	0.750	2.831	
	4/6/8		32.000/					4.375						11.625	9.843	1.000	3.817		
6808/09	2	27.000	7.015	33.071	34.646	24.378	23.697	36.000/	11.737	48.126	11.737	4.575	2.205	3.250	5.750	4.331	0.750	2.831	
	4/6/8		40.000/					4.735						11.625	9.843	1.000	3.817		
7006/07	2	30.000	8.145	37.008	38.740		24.095	32.000/	13.841	48.728	15.219	5.157	2.205	3.375	6.750	5.512	0.875	2.880	
	4/6/8							36.000/						5.125	11.625	9.843	1.250	4.423	
7008/09	2	30.000	8.145	37.008	38.740		24.095	40.000/	13.841	54.633	13.841	5.157	2.205	3.375	6.750	5.512	0.875	2.880	
	4/6/8							45.000/						5.125	11.625	9.843	1.250	4.423	

Frame	# of Poles	C	D	G	O	HD	HH	HK	H	K'	BA	LL	LM	d1	AA	DM	BEARINGS	
																	D.E.	N.D.E.
5009/10	2	64.159	12.500	2.073	26.083	42.733	12.628		1.181	1.575	8.504			UNC3/4"	2xNPT 3"		6314 C3	6314 C3
	4/6/8	70.035												UNC7/8"			6320 C3	6316 C3
5809/10	2	71.089	14.500	1.974	30.051	46.701	13.740		1.181	1.890	10.000			UNC3/4"	2xNPT 3"		6314 C3	6314 C3
	4/6/8	77.964												UNC7/8"			6322 C3	6319 C3
6806/07	2	72.348	17.000	1.967	34.520	51.170	13.862	11.410	1.417	2.205	11.500	18.110	21.429	UNC3/4"	2xNPT 4"	3xNPT 3/4"	6218 C3	6218 C3
	4/6/8	78.224		UNC1"										6324 C3			6319 C3	
6808/09	2	78.254	17.000	1.974	34.520	51.170	13.862	11.410	1.417	2.205	11.500	18.110	21.429	UNC3/4"	2xNPT 4"	3xNPT 3/4"	6218 C3	6218 C3
	4/6/8	84.129		UNC1"										6324 C3			6319 C3	
7006/07	2	79.742	17.500	2.467	36.870	53.517	13.780		1.417	2.205	11.500	18.110	21.429	UNC7/8"	2xNPT 4"	3xNPT 3/4"	6220 C3	6220 C3
	4/6/8	84.617												UNC1 1/4"			6328 C3	6322 C3
7008/09	2	85.648	17.500	2.467	36.870	53.517	13.780		1.417	2.205	11.500	18.110	21.429	UNC7/8"	2xNPT 4"	3xNPT 3/4"	6220 C3	6220 C3
	4/6/8	90.523												UNC1 1/4"			6328 C3	6322 C3

Frame	Flange	C	M	N	P	S	T	N° holes
5009/10	FF-600	8.504	23.622	21.653	25.984	0.945		
5809/10	FF-740	10.000	29.134	26.772	31.496			
6806/07	FF-940	11.024	37.008	34.650	39.370	1.102	0.236	0.315
6808/09								
7006/07	FF-1080	11.500	42.520	39.370	45.276	1.102	0.236	0.315
7008/09								

