

DATE
APRIL 6, 2011

OUTLINE DIMENSIONS
3-PHASE INDUCTION MOTOR

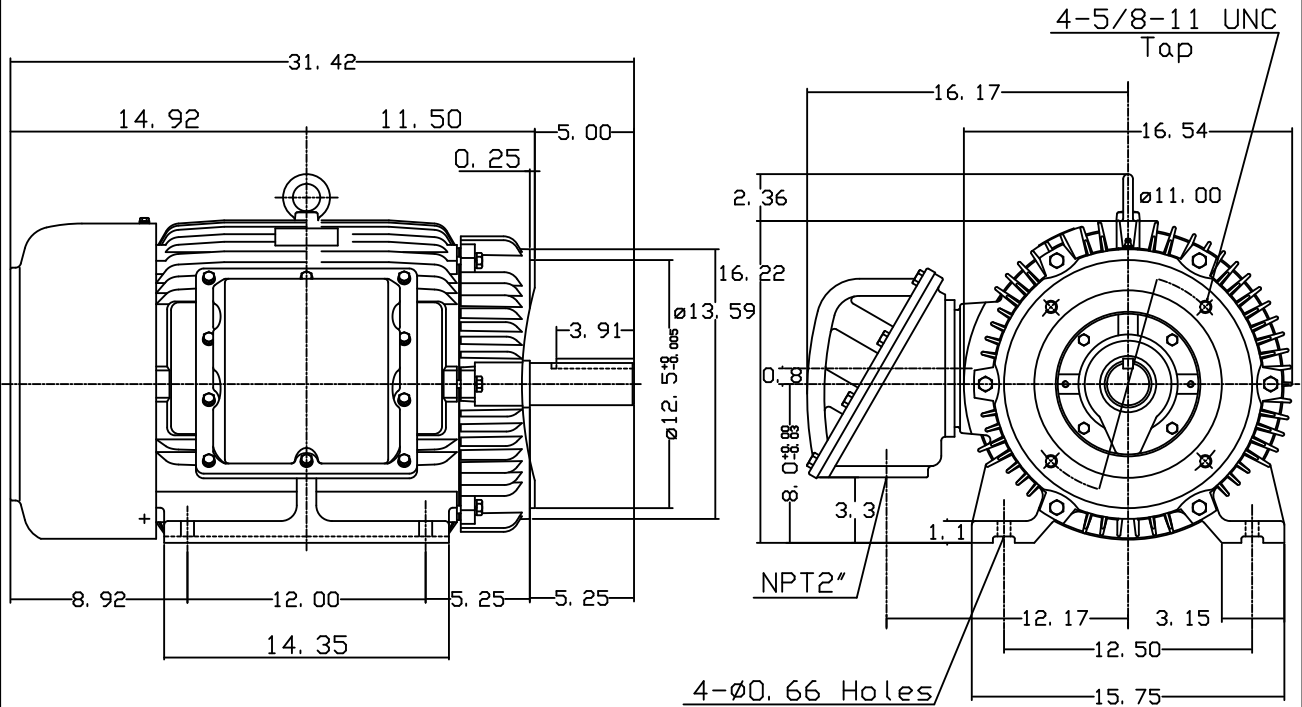
MOTOR TYPE:
AEHHXF
FRAME NO. 326TC

CAT. #: XP0504C

Pole	HP	KW	Hz	VOLT	Syn. Speed r/min(rpm)
4	50	37.3	60	230/460	1800

Ins	Rating	Dimension in	Approx Weight	Bearings	
F	CONT.	inches	790 LBS	DE: 6312	NDE: 6212

Totally Enclosed Fan Cooled Type. Squirrel-cage Rotor.



Note:
1. Explosion proof:
Class I Group D and
Class II Group E, F, G.



DWN.	J. H. LIANG	11-30-00
CHKD.	C. H. KAO	03-07-01
APPD.	Y. B. HUANG	03-07-01

TECO Westinghouse

DWG NO.
31049M630070