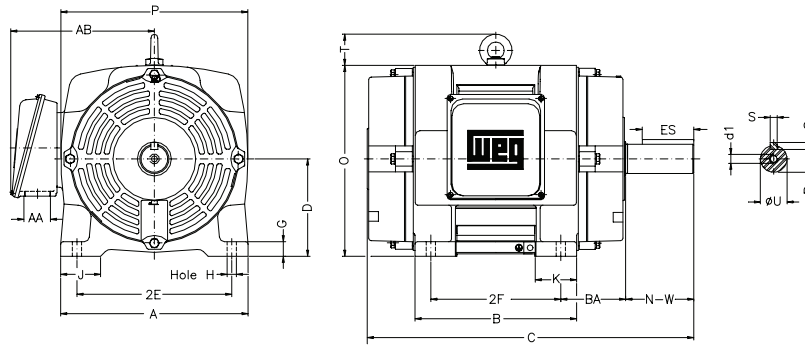


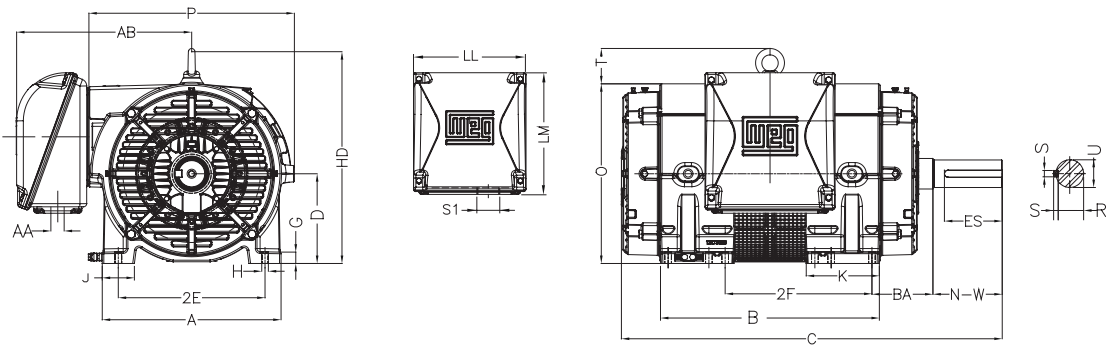
# W40 NEMA Premium Motors

## ODP - Mechanical Data

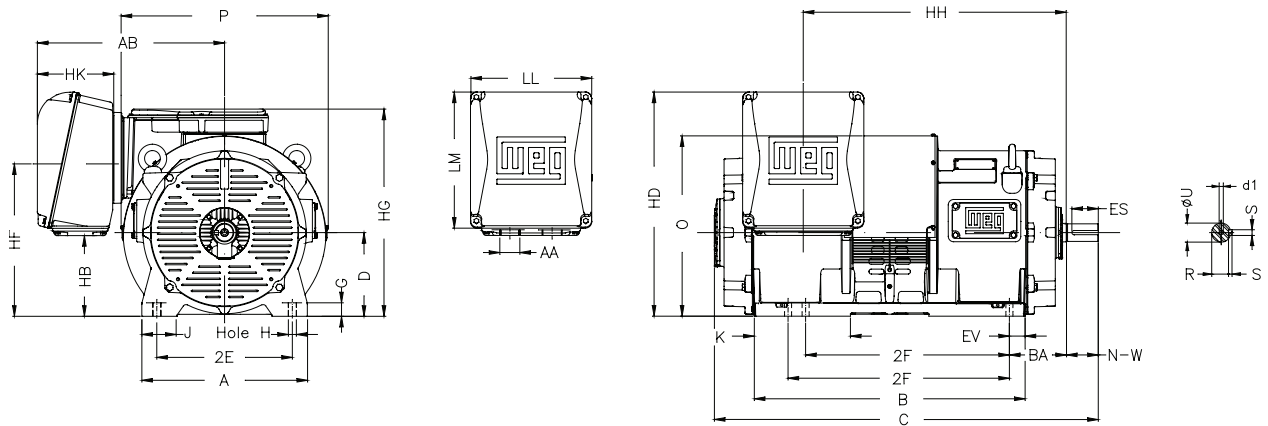
### Frames 254T to 444/5T



### Frame 447/9T



### Frames L5010 to L5810



# W40 NEMA Premium Motors

## ODP - Mechanical Data

NEMA FRAME	2E	J	A	AB	P	2F	K	B	BA	U	d1	N-W	Es	S	R			
254T	10.000	2.520	12.130	10.079	11.812	8.250	2.560	10.100	4.250	1.625	A4	4.000	2.756	0.375	1.406			
256T						10.000		11.732										
284TS						9.500		11.574										
284T	2.960	4.750																
286TS			11.000	13.070														
286T	12.500	3.230	15.160		11.496	15.118	3.350	14.566	5.250			1.875	DUNC 3/4"-10	3.250	2.480	0.500	1.594	
324TS				10.500														2.125
324T				12.000														
326TS	14.000	3.150	17.170		16.378	17.874	4.140	15.400	5.875			1.875	DUNC 3/4"-10	3.748	1.968	0.625	2.019	
326T				11.250/12.250														2.375
364/5TS	16.000	3.950	19.950	20.236	22.125	14.500/16.500	5.590	20.078	6.625	2.125	DUNC 3/4"-10	4.250	2.756	0.500	1.842			
404/5T																12.250/13.750	2.875	
444/5TS	18.000	3.937	21.929	21.466	25.197	20.000/25.000	9.000	26.819	7.500	2.375	DUNC 3/4"-10	4.750	3.000	0.625	2.021			
444/5T																14.500/16.500	3.375	
447/9TS	18.000	3.940	21.929	21.466	25.197	20.000/25.000	9.000	26.819	7.500	2.375	DUNC 3/4"-10	4.750	3.000	0.625	2.021			
447/9T																14.500/16.500	3.375	
5010/11 - 2P	20.000	5.236	24.724	28.812	30.670	32.000/36.000	14.200	40.260	8.504	2.625	DUNC 3/4"-10	4.750	3.000	0.625	2.275			
5010/11																3.625	10.630	
L5010/11 - 2P	20.000	5.140	24.803	34.908	34.095	32.000/36.000	10.685	42.256	8.500	3.250	DUNC 3/4"-10	5.750	4.331	0.750	2.831			
L5010/11																4.375	11.625	
L5810/11 - 2P	23.000	6.710	29.530	34.908	39.976	36.000/40.000	10.810	46.785	10.000	3.375	DUNC 7/8"-9	6.750	5.512	0.875	2.880			
L5810/11																5.125	11.625	

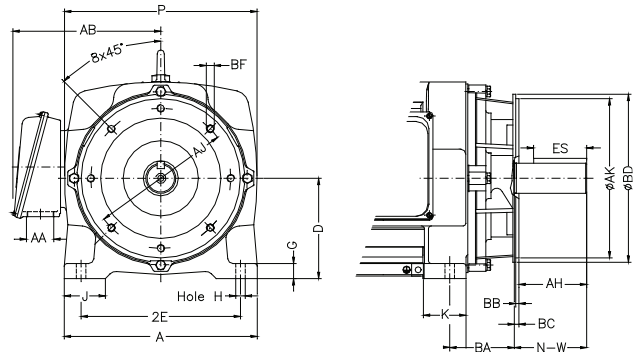
NEMA FRAME	D	G	O	LL	LM	HB	HD	HF	HG	HH	HK	Hole H	C	AA	Bearings		
															Drive end	Non-drive end	
254T	6.250	0.787	12.204	6.300	6.693							0.531	20.669	NPT 1 1/2"	6309 Z-C3	6209 Z-C3	
256T	6.250																
284TS	7.000																1.102
284T		22.000															
286TS		23.386															
286T		23.504															
324TS		24.882															
324T	8.000	1.299	15.551	7.874	8.268							0.656	26.181	NPT 2"	6312 Z-C3	6212 Z-C3	
326TS																	27.667
326T																	27.638
364/5TS	9.000	1.480	18.425	9.646	10.000							0.657	29.764	NPT 3"	6314 C3	6314 C3	
364/5T																	31.141
404/5TS	10.000	1.968	19.409	9.646	10.000							0.807	34.133	NPT 3"	6316 C3	6316 C3	
404/5T																	31.141
405TS																	34.133
405T																	36.062
444/5TS																	39.803
444/5T	11.000	1.811	22.440	14.291	14.921							0.081	43.000	2xNPT 3"	6314 C3	6314 C3	
447/9TS																	46.709
447/9T	1.400	22.000	15.905	17.717								0.081	46.709	2xNPT 3"	6319	6314	
5010/11 - 2P	12.500																1.972
5010/11		62.880															
L5010/11 - 2P	12.500	1.873	29.527	21.850	32.874	5.510	38.384	21.142	34.754	40.822	18.805	1.181	59.211	2xNPT 4"	6218 C3	6218 C3	
L5010/11																	65.086
L5810/11 - 2P	14.500	1.873	34.460	21.850	32.874	9.085	41.959	24.717	38.570	45.830	18.805	1.181	65.570	2xNPT 4"	6220 C3	6220 C3	
L5810/11																	70.444

# W40 NEMA Premium Motors

## ODP - Mechanical Data

### FC Flange

NEMA FRAME	FLANGE	BC	AJ	AK	BD	S	T	AH	$\alpha$	Nº of holes
254T	FC-184		7.250	8.500	8.875	UNC 1/2"x13		3.750	45°	4
256T								3.000		
284TS	FC-228		7.250	10.500	11.031	UNC 1/2"x13		4.375	45°	4
284T										
286TS	FC-279	0.250				UNC 5/8"x11	0.250	3.500	45°	8
286T										
324TS	FC-279	0.250				UNC 5/8"x11	0.250	5.000	45°	8
324T										
326TS	FC-279	0.250				UNC 5/8"x11	0.250	3.500	45°	8
326T										
364/5TS	FC-368					UNC 5/8"x11	0.250	4.000	45°	8
364/5T										
404/5TS	FC-368					UNC 5/8"x11	0.250	4.500	45°	8
404/5T										
444/5TS	FC-368					UNC 5/8"x11	0.250	4.500	45°	8
444/5T										
447/9TS	FC-355		14.000	16.000	17.913	UNC 5/8"x11	0.250	8.250	45°	8
447/9T										



### FD Flange

NEMA FRAME	FLANGE	AJ	AK	BD	S	T	AH	$\alpha$	Nº of holes
254T	FD-317	12.500	11.000	14.000		0.250	3.750	45°	4
256T									
284TS	FD-317	12.500	11.000	14.000		0.203	4.375	45°	4
284T									
286TS	FD-406	16.000	14.000	18.000	0.828	0.250	4.375	45°	4
286T									
324TS	FD-406	16.000	14.000	18.000	0.828	0.250	5.000	45°	4
324T									
326TS	FD-406	16.000	14.000	18.000	0.828	0.250	5.625	45°	4
326T									
364/5TS	FD-508	20.000	18.000	21.653	0.828	0.203	4.500	45°	8
364/5T									
404/5TS	FD-508	20.000	18.000	21.653	0.828	0.203	8.250	45°	8
404/5T									
444/5TS	FD-508	20.000	18.000	21.653	0.828	0.203	4.500	45°	8
444/5T									
447/9TS	FD-558	22.000	24.000		0.828	0.250	5.500	45°	8
447/9T									
5010/11TS	FD-558	22.000	24.000		0.828	0.250	6.500	45°	8
5010/11T									
L5010/11TS	FD-762	30.000	28.000	32.000	0.828	0.250	6.500	45°	8
L5010/11T									
L5810/11TS	FD-762	30.000	28.000	32.000	0.828	0.250	6.500	45°	8
L5810/11T									
L6808/09TS	FD-895	35.250	33.250	37.250	1.000	0.250	6.500	45°	8
L6808/09T									

