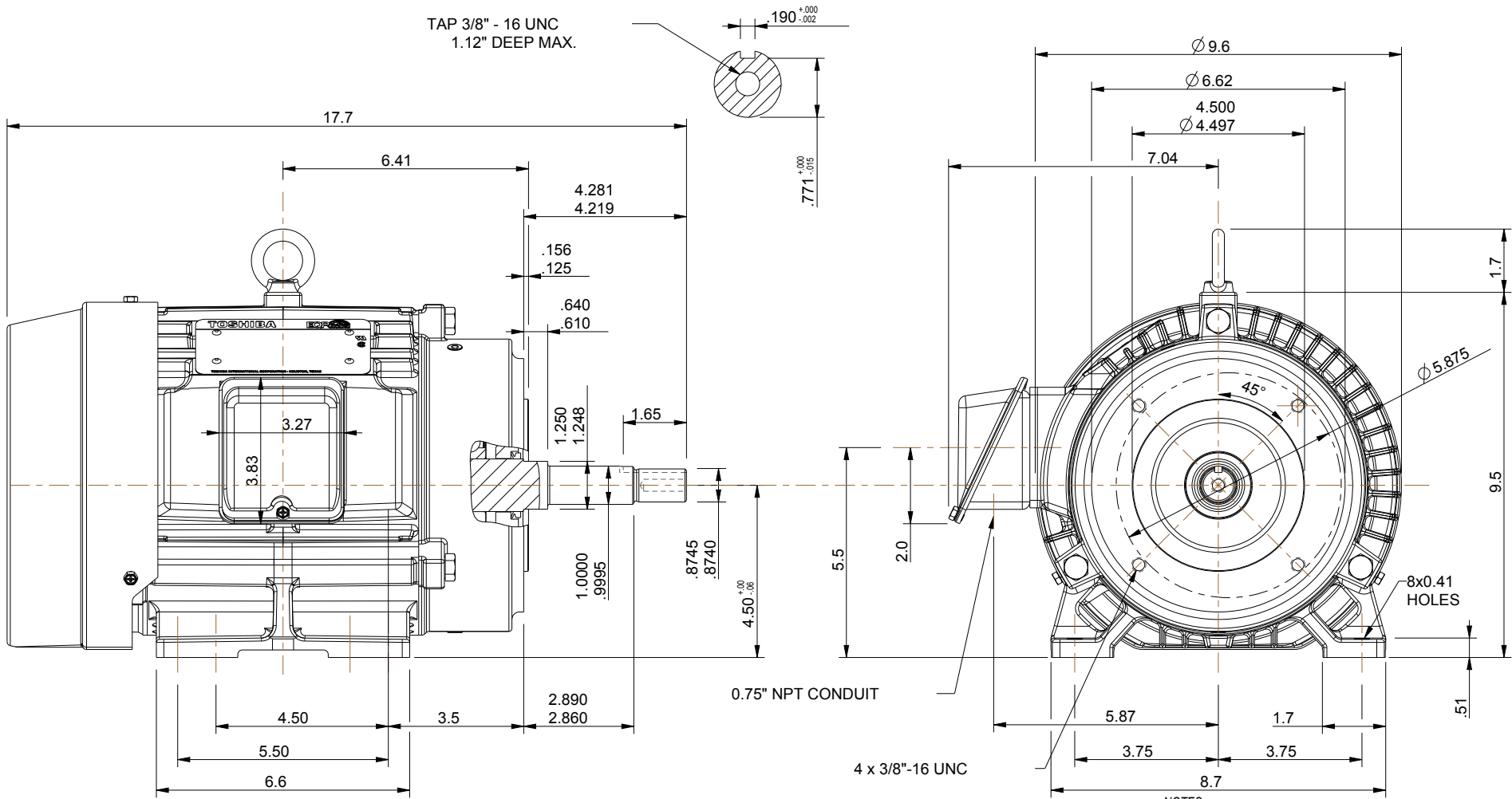


TAP 3/8" - 16 UNC  
1.12" DEEP MAX.



- NOTES:
1. MAIN CONDUIT BOX MAY BE ROTATED IN 90° INCREMENTS
  2. STANDARD PRODUCT USE BI-DIRECTIONAL FAN. OPPOSITE ROTATION AVAILABLE ONLY BY CONNECTION CHANGE.
  3. KEY DIMENSIONS EQUAL (MOTOR SUPPLIED WITH KEY)
- 0.188" x 0.188" x 1.65"

UNITS: INCHES

TOSHIBA RESERVES THE RIGHT TO MAKE CHANGES OF TECHNICAL IMPROVEMENT WITHOUT NOTICE. DO NOT USE FOR CONSTRUCTION, INSTALLATION, OR APPLICATION PURPOSES UNLESS THE DRAWING IS CERTIFIED.

**180JM TEFC FRAME  
F1 ASSEMBLY**

MDSL108-02

**TOSHIBA**

TOSHIBA INTERNATIONAL CORPORATION

TOLERANCES

.X	.1
.XX	.03
.XXX	.005
.XXXX	.0005

MAXIMUM  
MOTOR WEIGHT

97 lbs.  
44 kgs.

NO	REVISION	DATE	CHECK
1	CHANGE T-BOX ASSEMBLY	12/18/13	J. RUSSELL
0	FIRST ISSUE	12/6/13	J. RUSSELL



DRAWN BY: M. O'DOWD  
CHECK BY: J. RUSSELL  
APPROVED BY:

www.toshiba.com/ind