

Product Information Packet

November 7, 2016

Data shown is for the current revision model #. Ensure your nameplate model # matches.

Model Number:	5CD142AA036B008
Catalog Number:	D680
Instruction Manual:	GEH-3967
Connection Diagram:	36A167960CA501
Outline Drawing:	36A167921AA001

Accessory Connection Diagrams			
Bearing Thermocouple:	None	Heater:	None
RTD:	None	Thermistor:	None
Thermostat:	None	Winding Thermocouple:	None
Bearing RTD:	None		

Table of Contents	
Specification	01
Outline Drawing	02
Connection Drawing(s)	03

Marks:

MODEL NUMBER:	5CD142AA036B008	Enclosure Mtg Assem:	36A167772CD201
Outline Drawing:	36A167921AA001	Instruction Book:	GEH-3967
Connection Diagram:	36A167960CA501	RPM:	1150/2000
Horsepower:	1	Armature Amps:	3.7
Armature Volts:	240	Type:	CDL182AT
Wound:	SHUNT	Power Supply Code:	D
Enclosure:	TENV	Insulation Class:	F
Duty:	CONT	Ambient Max (°C):	40 C
Rating Code:	142A1330-05	Field Volts:	240/120
K(V):	1.76 Cemf volts/Radian/Sec	WK2:	.28Lb Ft2
K(T):	1.23 Ft/Amp	Year of Manufacture:	2016
Minimum Ambient:	0 C	Max Altitude:	3300 Ft

Resistances at 25 Degrees C :

Shunt Field:	323 OHMS
Armature:	3.6823 OHMS
Commutator Field:	1.7551 OHMS

Inductances:

Armature Circuit Total:	92.320 mH Saturated
Shunt Field:	122.0 Henries Unsaturated

Shunt Field Data:

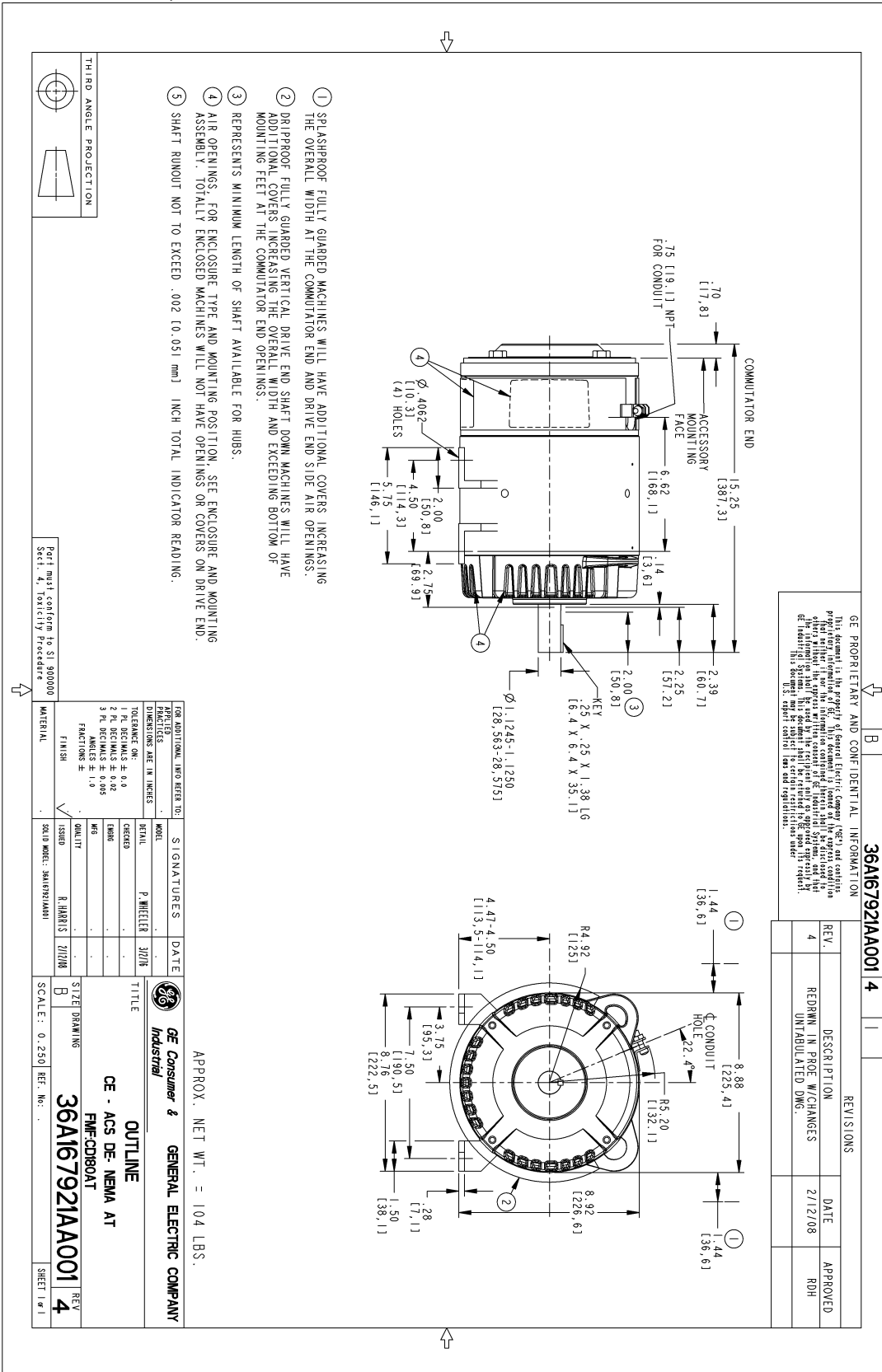
Shunt Field Current(1): .53 AMPS at Rated Load and 1150 RPM
 Shunt Field Current(2): .35 AMPS at Rated Load and 1433 RPM
 Shunt Field Current(3): .21 AMPS at Rated Load and 2000 RPM

Additional Machine Notes:

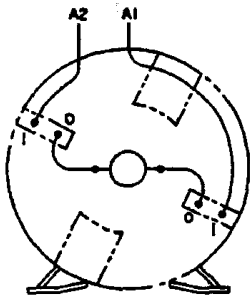
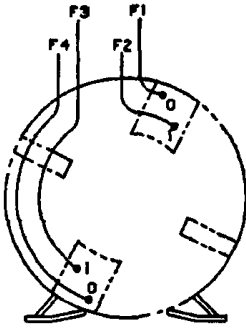
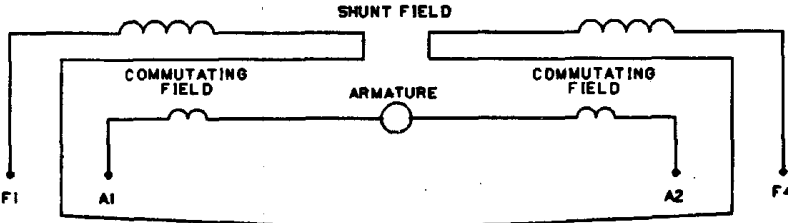
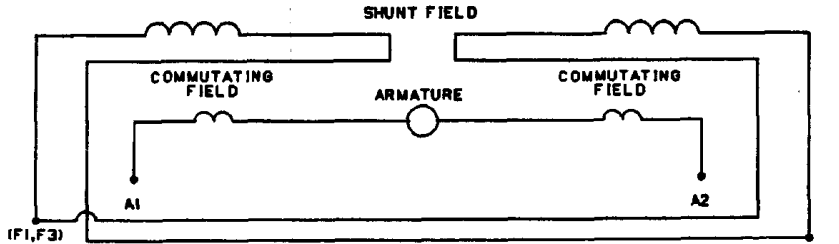
TOTALLY ENCLOSED NON VENTILATED - BALL BEARINGS
 STANDARD SHAFT DRIVE END ONLY - WITH FEET
 WITH:
 CSA STAMP
 THERMOSTAT- NORMALLY CLOSED, AC RATING- 600V MAX-
 .5A, 250V-1.5A, OR 125V-3A, DC RATING- 30V MAX-
 1.5A. MAXIMUM CURRENT BASED ON INDUCTIVE LOADS UP
 TO AND INCLUDING NEMA NO.5 CONTACTOR.

NAME:208009544 OBJECT:36A167921AA001 DATE:12-Feb-08 13:08:48

Marks:



Marks:

NO S.O.	GENERAL ELECTRIC	36A167960CA501 CONT ON SHEET SH NO.
REV 1 36A167960CA501 CONT ON SHEET	TITLE CONNECTION DIAGRAM	SH NO.
SH NO.	FIRST MADE FOR 180AT 2 POLE	SH NO.
DIRECT CURRENT MOTOR AND GENERATOR - SHUNT WOUND 1 OR 2 CIRCUIT SHUNT FIELD, 1 CIRCUIT COMMUTATING FIELD		
VIEWS FACING COMMUTATOR END		
 <p>COMMUTATING FIELD AND ARMATURE</p>	 <p>SHUNT FIELD</p>	
<p>ALL EXTERNAL LEADS ARE MARKED. ALL CONNECTIONS AND TERMINATIONS EXTERNAL TO MAGNET FRAME MUST BE INSULATED PER NATIONAL ELECTRICAL CODE AND SOUND LOCAL PRACTICES.</p> <p>SPACE HEATERS, WHEN SPECIFIED, WILL HAVE LEADS WITH TERMINAL MARKINGS H1 AND H2.</p> <p>THERMOSTAT, WHEN SPECIFIED, WILL HAVE LEADS WITH TERMINAL MARKINGS P1 AND P2.</p> <p>ENCIRCLED NUMBERS MAY BE USED FOR PART IDENTIFICATION.</p>		
<p>FOR HIGH NAMEPLATE EXCITATION VOLTAGE CONNECT SHUNT FIELD LEADS AS INDICATED</p>	 <p style="text-align: center;">(F2,F3)</p>	
<p>MOTOR CONNECTIONS: FOR CCW ROTATION FACING COMM END, MAKE LEADS F1 AND A1 THE SAME POLARITY. FOR CW ROTATION FACING COMM END, MAKE LEADS F1 AND A2 THE SAME POLARITY.</p>	<p>GENERATOR CONNECTIONS: FOR CW ROTATION FACING COMM END, F1 POSITIVE WILL MAKE A2 POSITIVE. FOR CCW ROTATION FACING COMM END, F1 POSITIVE WILL MAKE A2 POSITIVE.</p>	
<p>FOR LOW NAMEPLATE EXCITATION VOLTAGE CONNECT SHUNT FIELD LEADS AS INDICATED</p>	 <p style="text-align: center;">(F1,F3) (F2,F4)</p>	
<p>MOTOR CONNECTIONS: FOR CCW ROTATION FACING COMM END, MAKE LEADS (F1,F3) AND A1 THE SAME POLARITY. FOR CW ROTATION FACING COMM END, MAKE LEADS (F1,F3) AND A2 THE SAME POLARITY.</p>	<p>GENERATOR CONNECTIONS: FOR CW ROTATION FACING COMM END, (F1,F3) POSITIVE WILL MAKE A2 POSITIVE. FOR CCW ROTATION FACING COMM END, (F1,F3) POSITIVE WILL MAKE A1 POSITIVE.</p>	
<p>94-10-12 NO S.O. DC HILL RETRACED</p>	<p>MADE BY N STEWART 75-08-05</p> <p>RE-ISSUED CAD/DC Hill 94-10-12</p>	<p>APPROVALS FILE KC13-1</p> <p>GE MOTORS ERIE</p> <p>DIV OR DEPT LOCATION</p> <p>36A167960CA501 CONT ON SHEET SH NO.</p>

ORIGINAL FRACING

49-3131 4487 CAD

C5X.A.36A167960CA501R01