

Product Information Packet

November 7, 2016

Data shown is for the current revision model #. Ensure your nameplate model # matches.

Model Number:	5KS365ATE204A
Catalog Number:	E7825
Instruction Manual:	GEI-M1023
Connection Diagram:	GEM-M1013
Outline Drawing:	358B6219AB

Accessory Connection Diagrams			
Bearing Thermocouple:	None	Heater:	None
RTD:	None	Thermistor:	None
Thermostat:	None	Winding Thermocouple:	None
Bearing RTD:	None		

Table of Contents	
Specification	01
Performance Characteristics	02
Outline Drawing	03
Connection Drawing(s)	04

Marks:

MODEL NUMBER:	5KS365ATE204A	Estimated Weight:	835 Lbs
Outline Drawing:	358B6219AB	Time Rating:	CONT
Connection Diagram:	GEM-M1013	Enclosure:	DP
Instruction Book:	GEI-M1023	Encl Construction:	OPEN
Design Code:	36AD1006B	Ambient Max(°C):	40
Type:	KS	Alt Ambient Max(°C):	--
Frame:	365T	Insulation Class:	F
Phases:	3	NEMA Design:	A
Poles:	4	Nominal Efficiency:	95 %
Output Power:	75HP 55.5KW	Guaranteed Efficiency:	94.1
RPM:	1785	3/4 Load Efficiency:	95.1
Voltage:	575	KVA Code:	J
Hertz:	60	Max KVAR:	26.4
Amps - FL:	71.2	Power Factor:	80.
Service Factor:	1.15	Bearing - DE:	6314
Alt Service Factor:	--	Bearing - ODE:	6313

Enclosure is Dripproof

Stamped Nameplate Notes:**Additional Information:**

4 POLE DRIP PROOF
 CONDUIT BOX MATERIAL: STAMPED STEEL
 CONDUIT BOX VOL: 550 CU IN
 NO. OF MOTOR LEADS: 6
 NOT USEABLE AT 200 VOLTS
 GREASE TYPE: CHEVRON SRI-2 POLYUREA
 SOUND POWER DATA: 77.6
 INVERTER DUTY PER NEMA MG1 PART 31
 FOR VARIABLE TORQUE LOADS

Performance Characteristics

1st Winding 1st Connection

Design: 36AD1006B

Marks:

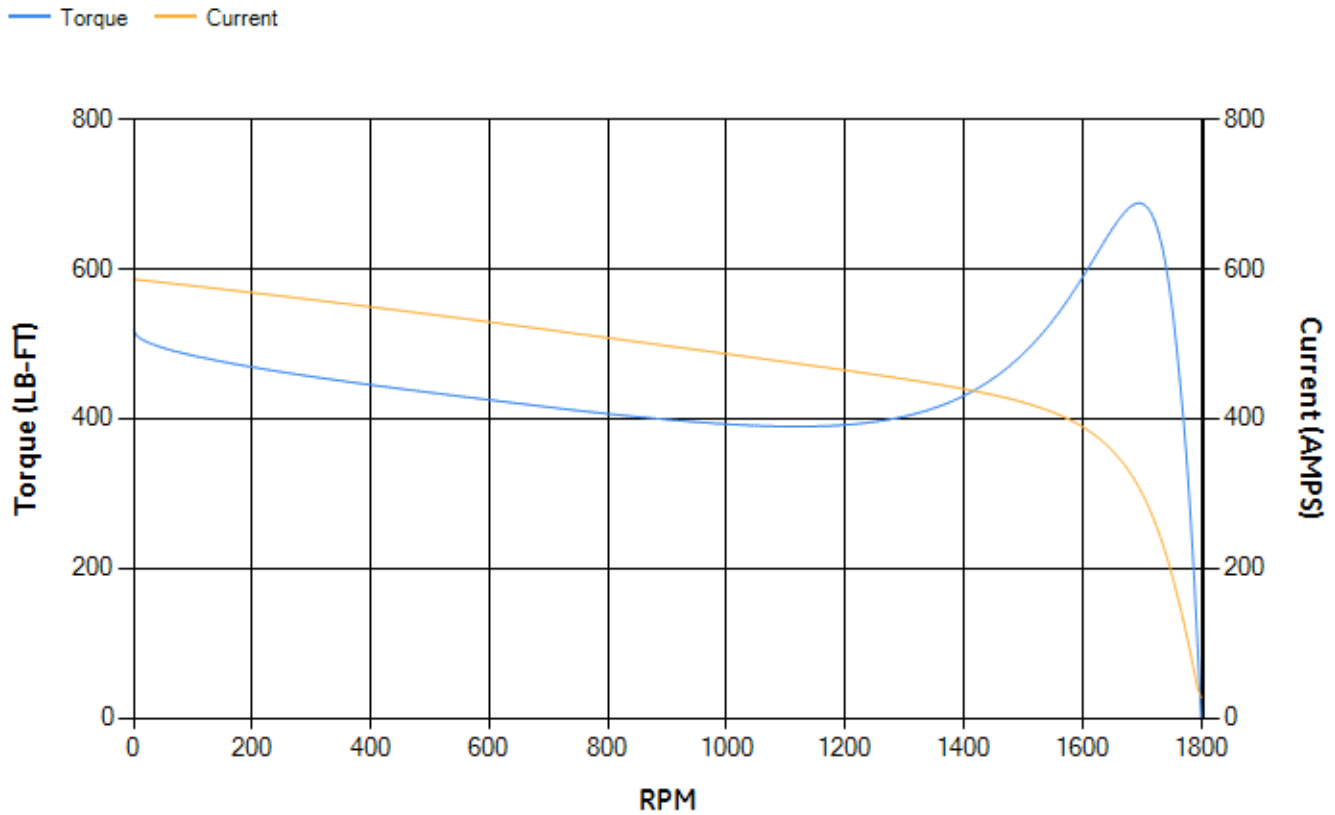
LOAD %	125.0	115.0	100.0	75.0	50.0	25.0	0.0
% EFF	94.78	94.95	95.31	95.11	94.4	91.15	0.00
% PF	83.85	83.48	82.41	78.49	69.28	47.65	4.51
AMPS	88.32	81.47	71.49	56.42	42.94	32.32	27.14

TORQ(FL)#FT	220.87	TORQ(LR)%FL	234.7	TORQ(BD)%FL	310.83
AMPS(LR)	586.35	PF AT START	0.3		

This motor is capable of two cold or one hot start with a maximum connected load inertia of 1726 Lb-Ft Sq (72.66 Kg-meter Sq) at 100% voltage, where the load torque varies with the square of the speed. Acceleration time with maximum inertia and the above load type is 27 seconds. Safe stall time at 100% voltage is 46 seconds cold, 36 seconds hot. Rotor inertia is 14.74 Lb-Ft Sq (0.62 Kg-meter Sq).

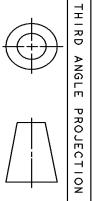
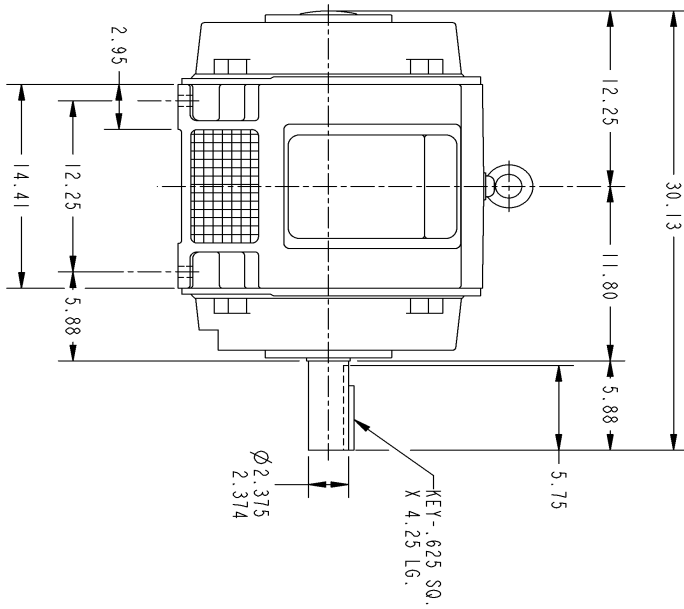
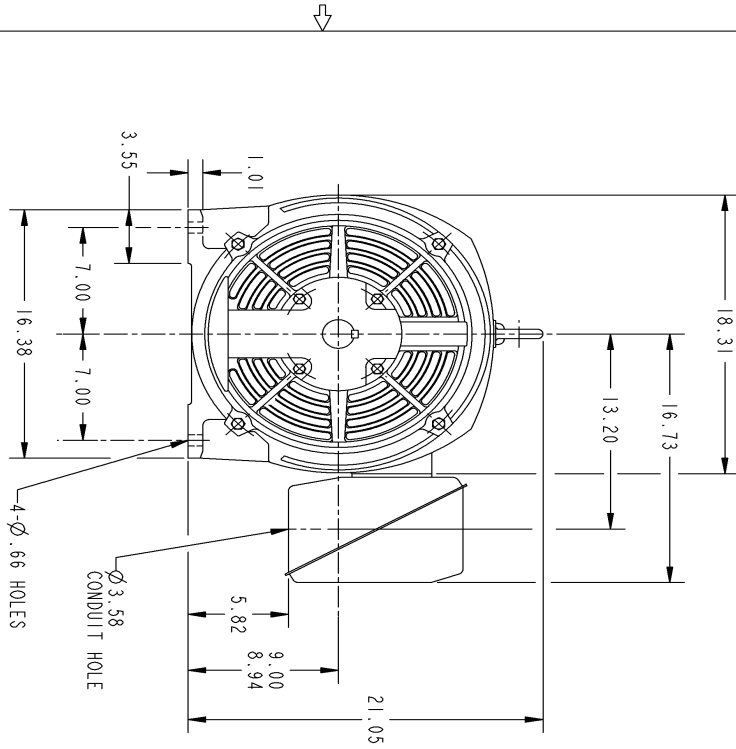
Open Circuit A-C:	0.701	Short Circuit D-C:	0.03
Short Circuit A-C:	0.033	X/R Ratio:	11.353
Stator Slots:	48	Rotor Slots:	40

Speed Torque Current Curve (First Connection, First Speed)



NAME:501053131 OBJECT:358B6219AB DATE:02-May-07 09:13:21

Marks:



THIRD ANGLE PROJECTION

NOTES :

1. CONDUIT BOX MAY BE PLACED WITH THE ENTRANCE DOWN, UP OR ON EITHER SIDE.
2. F-1 ASM AS SHOWN.
3. F-2 ASM - HAS CONDUIT BOX ON OPPOSITE SIDE.

THIS DRAWING IS THE PROPERTY OF GENERAL ELECTRIC COMPANY (GEC) AND CONTAINS PROPRIETARY INFORMATION. IT IS TO BE KEPT IN CONFIDENCE AND NOT TO BE REPRODUCED OR TRANSMITTED IN ANY FORM OR BY ANY MEANS, ELECTRONIC OR MECHANICAL, INCLUDING PHOTOCOPYING, RECORDING, OR BY ANY INFORMATION STORAGE AND RETRIEVAL SYSTEM. THIS DRAWING SHALL BE RETURNED TO GEC UPON 15 BUSINESS DAYS AFTER THE DATE OF CANCELLATION OR SUBJECT TO OTHER RESTRICTIONS UNDER G.E. EXPORT CONTROL LAW.

SIZE: 358B6219AB

GE PROPRIETARY INFORMATION

REVISIONS

REV.	DESCRIPTION	DATE	APPROVED
1	ISAAC 07-0770	04/27/07	RHONDA

UNLESS OTHERWISE SPECIFIED: DIMENSIONS ARE IN INCHES	SIGNATURES	DATE	<p>GENERAL ELECTRIC COMPANY Fort Wayne, Indiana</p>
TOLERANCE ON: 2 PL. DECIMALS ± . 3 PL. DECIMALS ± . ANGLES ± 1°	DRAWN PRABHAKAR 03/27/03	03/27/03	
CHECKED ENGR PRABHAKAR 03/27/03	ISSUED PRABHAKAR 03/27/03		
MATERIAL: APPLIED PRACTICES	SIZE DRAWING 358B6219AB	SCALE: DRAWING SCALE	REV. 1

DISTRIBUTION:

Marks:

Connection Diagram GEM-M1013

NAME: 103013756 OBJECT: GEM-M1013 DATE: 01-Apr-05 17:31:03

REVISIONS	
REF.	DESCRIPTION

THIRD ANGLE PROJECTION

SINGLE VOLTAGE CONNECTION WYE START DELTA RUN OR ACROSS THE LINE	
T6	T1
T3	T4
T5	T2

VOLTS	L1	L2	L3	TOGETHER
WYE START	T1	T2	T3	T4-T5-T6
DELTA RUN	T1-T6	T2-T4	T3-T5	

ACROSS THE LINE START			
VOLTS	L1	L2	L3
DELTA RUN	T1-T6	T2-T4	T3-T5

SIGNATURES: DATE:	
DESIGNER: [Signature]	DATE: [Date]
CHECKED: [Signature]	DATE: [Date]
APPROVED: [Signature]	DATE: [Date]

GENERAL ELECTRIC COMPANY
GE Industrial Systems

CONNECTION DIAGRAM

GEM-M1013

SHEET 1 OF 1