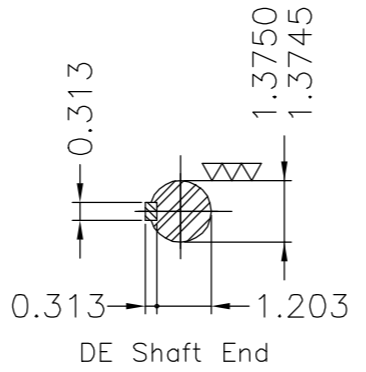
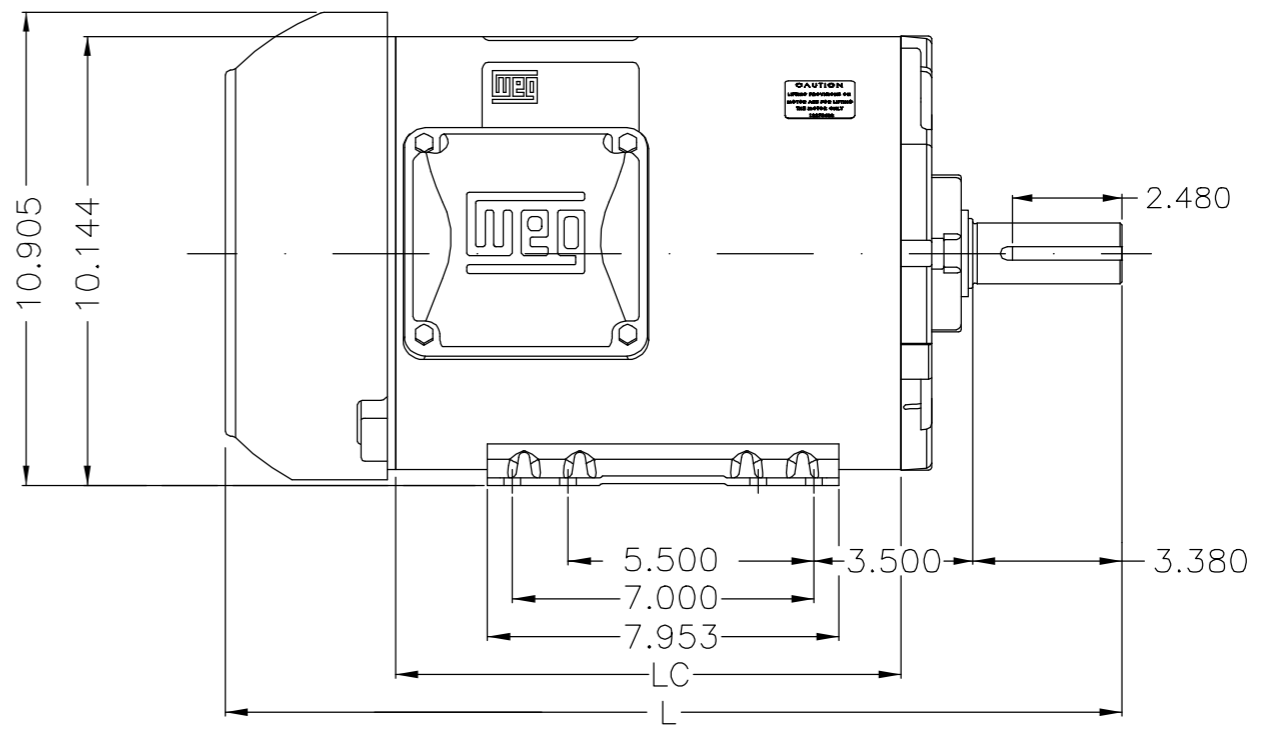
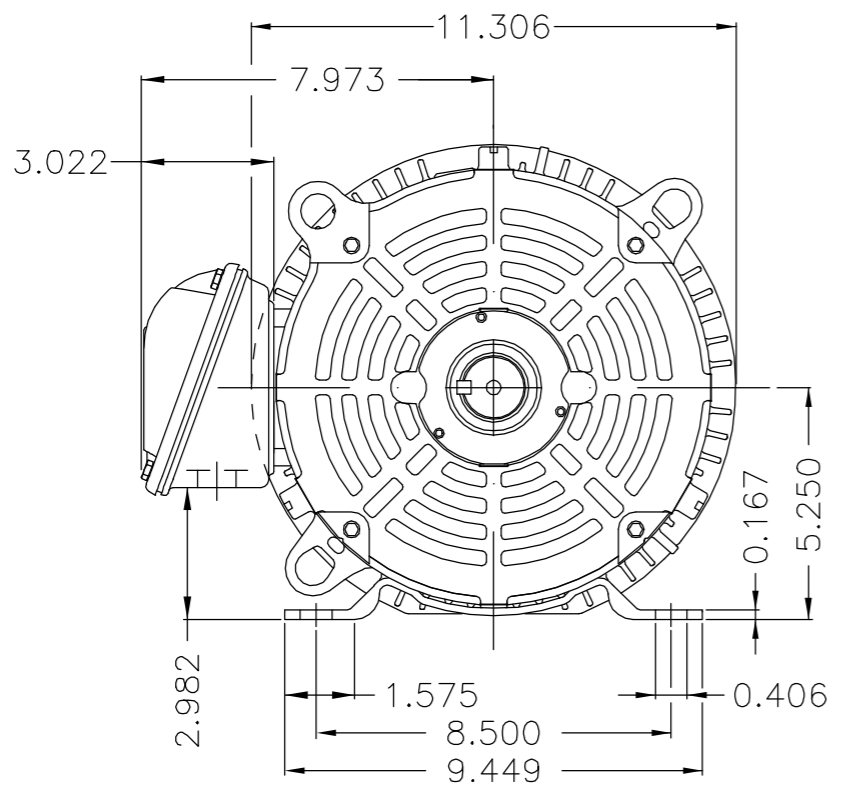
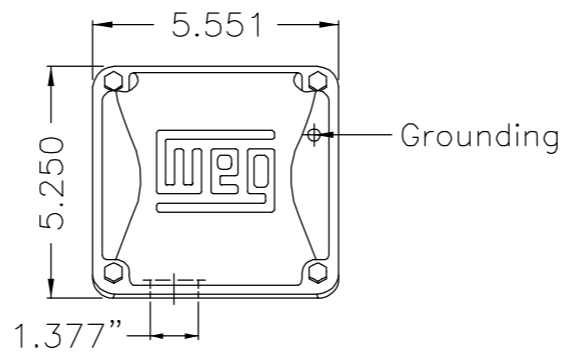


EIXO/SHAFT	
PADRÃO/STANDARD	X
OPCIONAL/OPTIONAL	
ESPECIAL/SPECIAL	

Dimensões em polegadas
Dimensions in inches

THIS IS AN UPDATED REVISION, THE PREVIOUS ONE MUST BE DISREGARDED.



					LC	L	
7.5 HP	02 Poles	60Hz	413766802		10.236	18.897	F
7.5 HP	02 Poles	60Hz	413766801		10.236	18.897	E
7.5 HP	02 Poles	60Hz	413766759		10.236	18.897	D
10 HP	02 Poles	60Hz	413766756		10.630	19.291	C
10 HP	02 Poles	60Hz	413766755		10.630	19.291	B
10 HP	02 Poles	60Hz	413766330		10.630	19.291	A

Plano de pintura 207N / Painting plan 207N
Forma construtiva B3D / Mounting F-1/B3R(D)

WEG ELECTRIC CORP.

500001146687	ATUALIZADO PLANO DE PINTURA	MENSOR	ODORIZZI	15.03.2016	01
500001009189	DOCUMENTO NOVO	PATRICKL	EMERSONRH	06.03.2015	00

ECM	LOC	SUMMARY OF MODIFICATIONS	EXECUTED	CHECKED	RELEASED	DATE	VER
EXECUTED	PATRICKL	THREE P. MOTOR TEFC ROLLED STEEL NEMA P. FRAME 213/5T IP55					
CHECKED							
RELEASED	EMERSONRH						
REL DT	06.03.2015	WMO	JARAGUA DO SUL	ENGENHARIA DE PRODUTO	SHEET	1 / 1	

10003417264
000 | 01