

Product Information Packet

May 26, 2017

Data shown is for the current revision model #. Ensure your nameplate model # matches.

Model Number:	5KAF365SAA224B
Catalog Number:	M9315
Instruction Manual:	GEI-56128
Connection Diagram:	GEM2034E-FIG9
Outline Drawing:	239C7200AA

Accessory Connection Diagrams			
Bearing Thermocouple:	None	Heater:	None
RTD:	None	Thermistor:	None
Thermostat:	None	Winding Thermocouple:	None
Bearing RTD:	None		

Table of Contents	
Specification	01
Performance Characteristics	02
Outline Drawing	03
Connection Drawing(s)	04

Marks:

MODEL NUMBER:	5KAF365SAA224B		
Outline Drawing:	239C7200AA	Service Factor:	1.00
Connection Diagram:	GEM2034E-FIG9	Alt Service Factor:	1.00
Instruction Book:	GEI-56128	ASD Type:	
Design Code:	36BD1125A	Time Rating:	CONT
Type:	KAF	Enclosure:	TEBC
Frame:	365T	Encl Construction:	A\$D
Phases:	3	Ambient Max (°C):	40
Poles:	4	Alt Ambient Max(°C):	65
Output Power:	75HP 55.5KW	Insulation Class:	H
Output Power (2):		NEMA Design:	--
Output Power (3):		Nominal Efficiency:	95.4 %
RPM:	1790	Guaranteed Efficiency:	94.5 %
RPM (2):		3/4 Load Efficiency:	95.7 %
RPM (3):		KVA Code:	L
Voltage:	230/460	Max KVAR:	35.0
Voltage (2):		Power Factor:	78.5
Voltage (3):		Service Factor SINE:	
Hertz:	60	Service Factor ASD:	
Hertz – 2:		Min Supply Wires:	75 C
Hertz – 3:		IP:	55
Amps – FL:	187.4/93.7	Vibration Limit:	--
Amps – FL- 2:		Bearing Lubrication:	MOBIL POLYREX EM
Amps - FL- 3:		Bearing - DE:	6314ZC3
Speed Range RPM:	-	Bearing - ODE:	6314ZC3
Const HP RPM:	-	Estimated Weight:	1030 Lbs

Stamped Nameplate Notes:

ALTERNATE RATING INVERTER DUTY 1.0 SF 40C AMBIENT
 SUITABLE FOR CONSTANT TORQUE;PWM OPERATION;0-60HZ
 THERMOSTAT LEADS PC-PC TRIP

Additional Information:

4P - T EXTN
 346 CU IN - 3.00" NPT
 E/S GROUND BOLT MTD ON DE C/BOX SIDE NEAR FOOT
 OIL RESISTANT SLEEVING ON LEADS
 TACH PROVISION MOTOR
 N.C. TRIP TSTAT LDS TO MAIN CONDUIT BOX
 PAINTED ODE ACCESSORY RABBET
 SHAFT GROUND RING #235A4970AG6 MOUNTED ON
 DE BEARING CAP

BLOWER MOTOR 208-230/460V,1.2/0.6AMPS,1/3HP
BLOWER MOTOR 60HZ,RPM 3450

Performance Characteristics

1st Winding 1st Connection

Design: 36BD1125A

Marks:

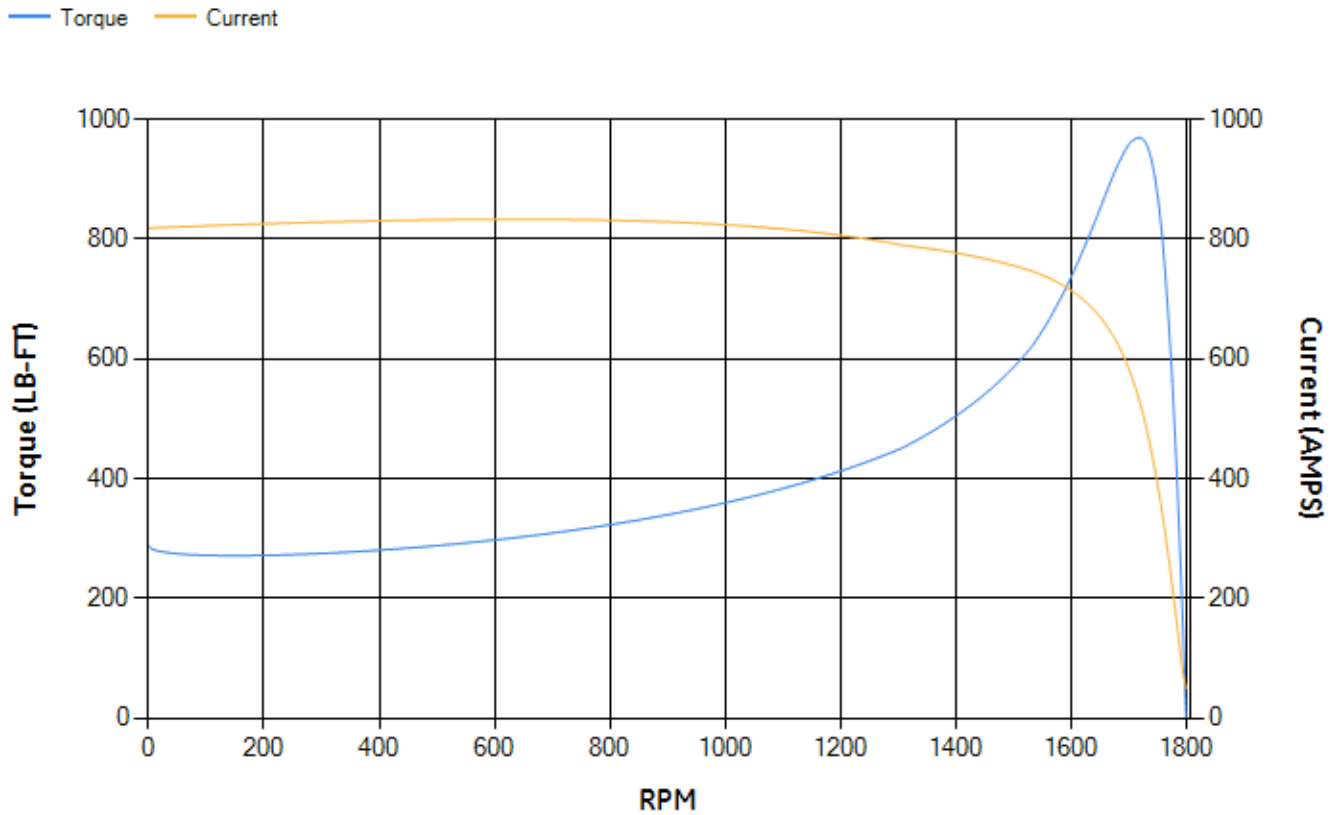
LOAD %	125.0	115.0	100.0	75.0	50.0	25.0	0.0
% EFF	95.5	95.61	95.91	95.66	95.01	92.09	0.00
% PF	82.56	81.19	78.46	71.25	58.28	35.7	2.5
AMPS	111.29	104	93.09	77.24	63.39	53.37	48.8

TORQ(FL)#FT	220.34	TORQ(LR)%FL	130.64	TORQ(BD)%FL	438.72
AMPS(LR)	818.41	PF AT START	0.21		

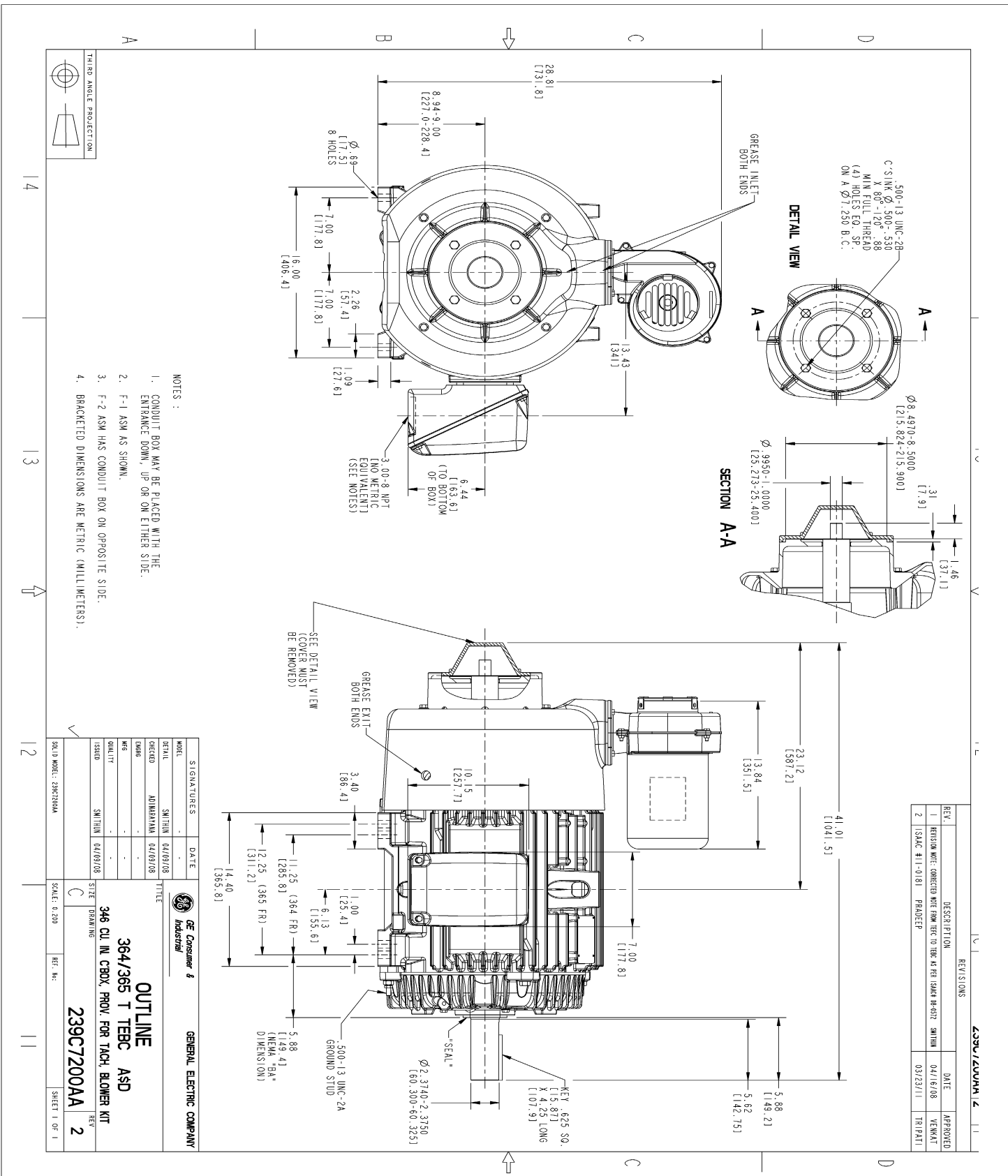
This motor is capable of two cold or one hot start with a maximum connected load inertia of 1488 Lb-Ft Sq (62.64 Kg-meter Sq)at 100% voltage, where the load torque varies with the square of the speed. Acceleration time with maximum inertia and the above load type is 26 seconds. Safe stall time at 100% voltage is 105 seconds cold, 44 seconds hot. Rotor inertia is 15.79 Lb-Ft Sq (0.66 Kg-meter Sq).

Open Circuit A-C:	0.609	Short Circuit D-C:	0.021
Short Circuit A-C:	0.031	X/R Ratio:	7.842
Stator Slots:	60	Rotor Slots:	50

Speed Torque Current Curve (First Connection, First Speed)



Marks:



- NOTES :
1. CONDUIT BOX MAY BE PLACED WITH THE ENTRANCE DOWN, UP OR ON EITHER SIDE.
 2. F-1 ASN AS SHOWN.
 3. F-2 ASN HAS CONDUIT BOX ON OPPOSITE SIDE.
 4. BRACKETED DIMENSIONS ARE METRIC (MILLIMETERS).

MODEL	SIGNATURES	DATE	TITLE
DETAL	SMITH/IN	04/09/08	OUTLINE
CHECKED	ADUMAYAMA	04/09/08	364/365 T TERC ASD
DRAWN	-	-	366 CU. IN. CRD. PROV. FOR TACH. BLOWER KIT
ISSUED	SMITH/IN	04/09/08	239C7200AA

SCALE: 0.200 REF. NO:

GENERAL ELECTRIC COMPANY

REV. 1 OF 1

REVISONS		DATE	APPROVED
1	DESCRIPTION: CORRECTED NOTE FROM REVISION 0 TO READ AS PER ISHM# 46-6102	04/16/08	VENKAT
2	ISHM# #1-1-0181 PHASED	03/23/11	TRIPATI

Marks:

Connection Diagram
GEM2034E-FIG9

