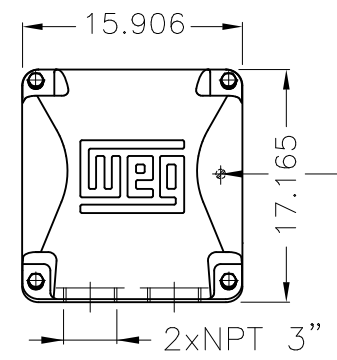
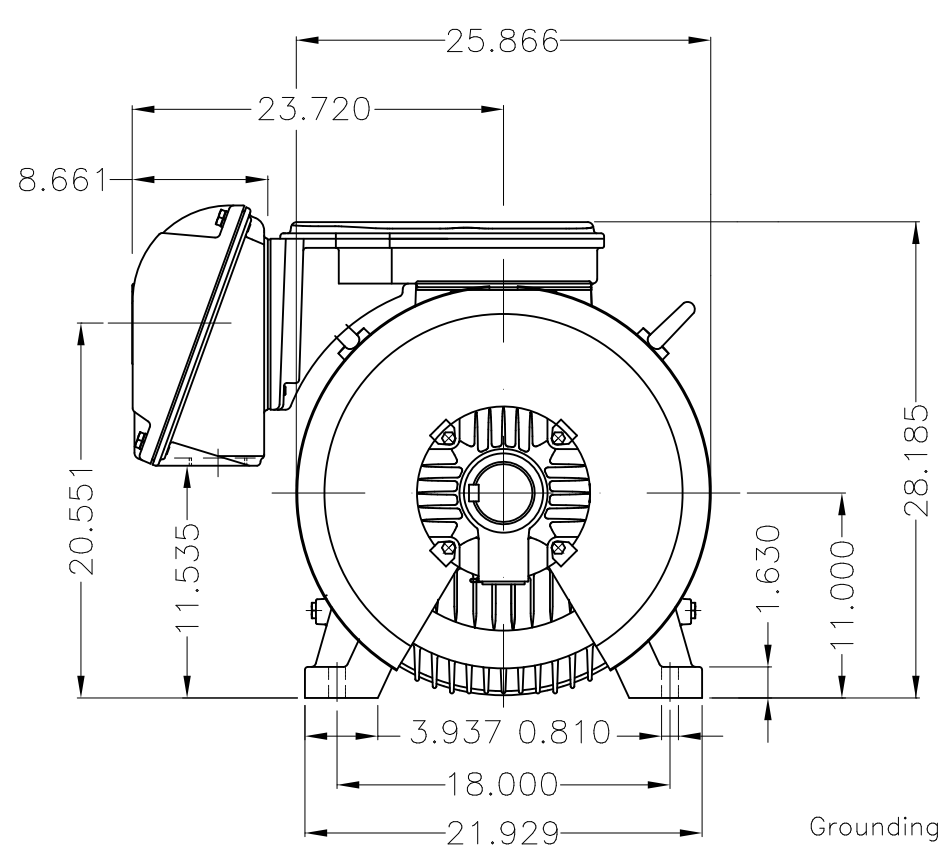


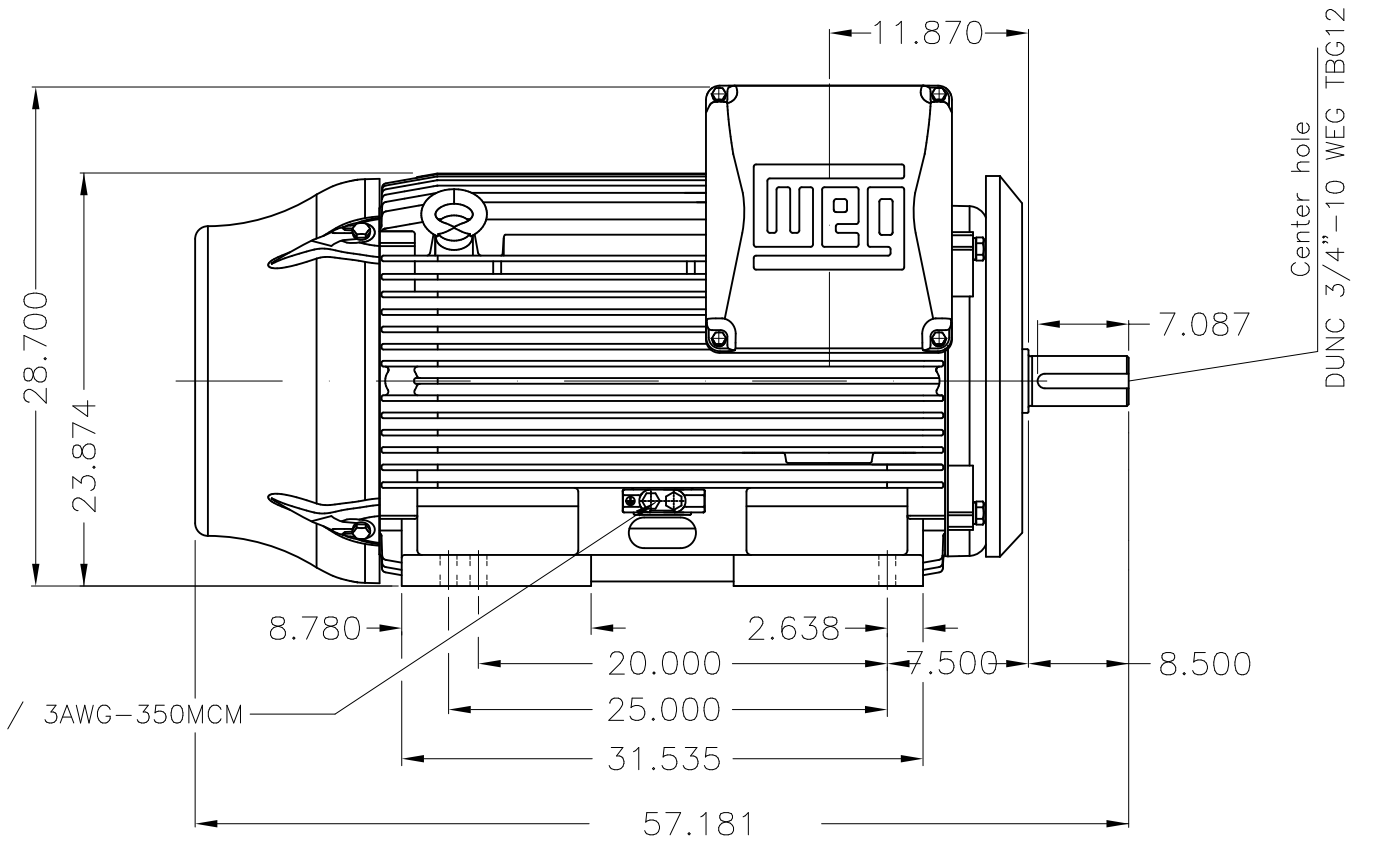
Dimensões em polegada
Dimensions in inches

THIS IS AN UPDATED REVISION, THE
PREVIOUS ONE MUST BE DISREGARDED.



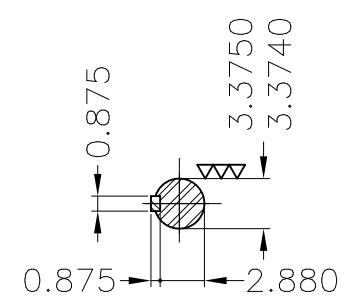
Main terminal box

Grounding for leads 35-70 mm² / 1-2/0 AWG



Center hole
DUNC 3/4"-10 WEG TBG12

Grounding for leads 25-185 mm² / 3AWG-350MCM



DE Shaft End

- DE roller bearing
- Shaft locking device
- NDE endshield with electrically insulated bearing hub
- Drive-End Air Deflector
- Color RAL 5009
- Painting plan 202E
- Mounting B3R(D)

ECM	LOC	SUMMARY OF MODIFICATIONS		EXECUTED	CHECKED	RELEASED	DATE	VER
EXECUTED	USERADMIN		THREE PH. W22 NEMA P.EFF MOTOR IEEE841					
CHECKED			FRAME L447/9T IP55 TEFC					
RELEASED			WEG code: 12139519					
REL DT	24.07.2017	WMO	Jaragua do Sul	Product Engineering	SHEET	1 / 1		

200 HP 08 Poles 60Hz