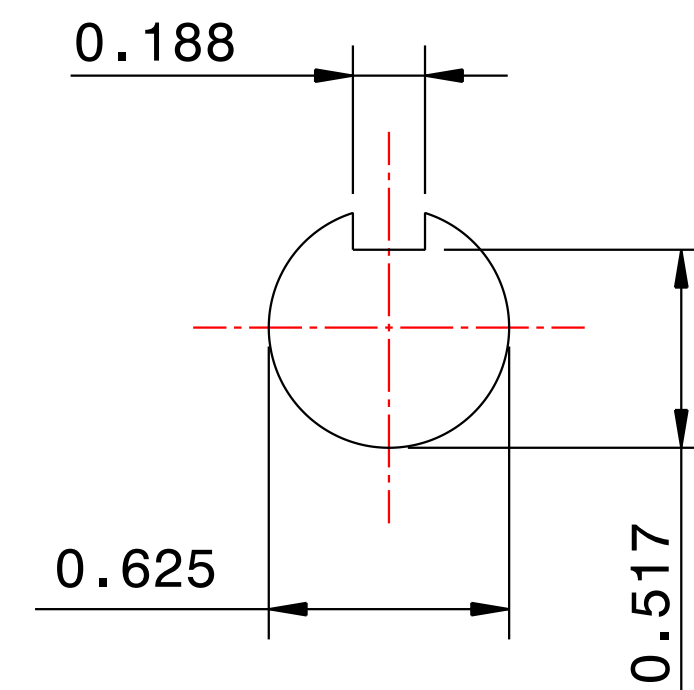
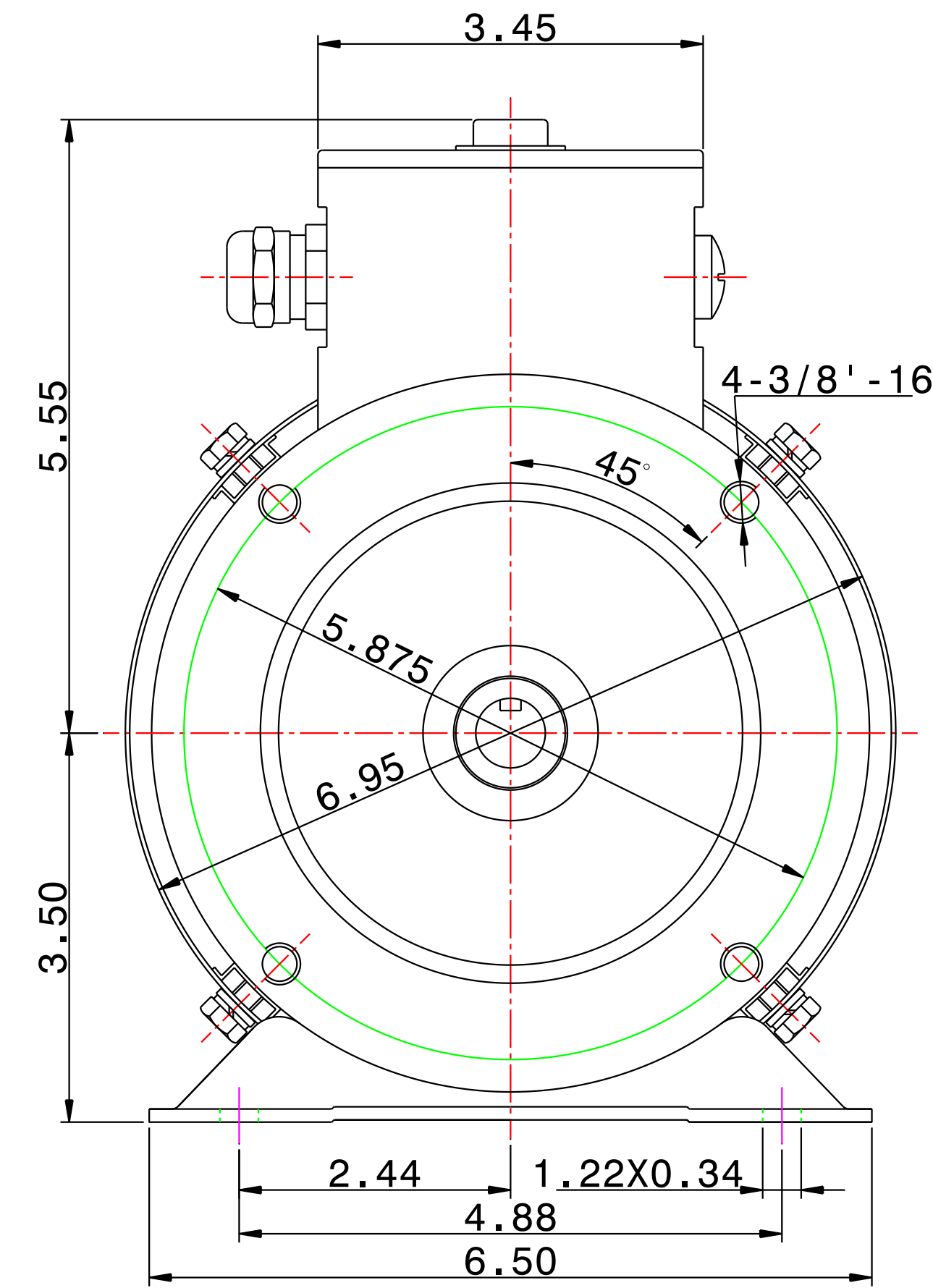
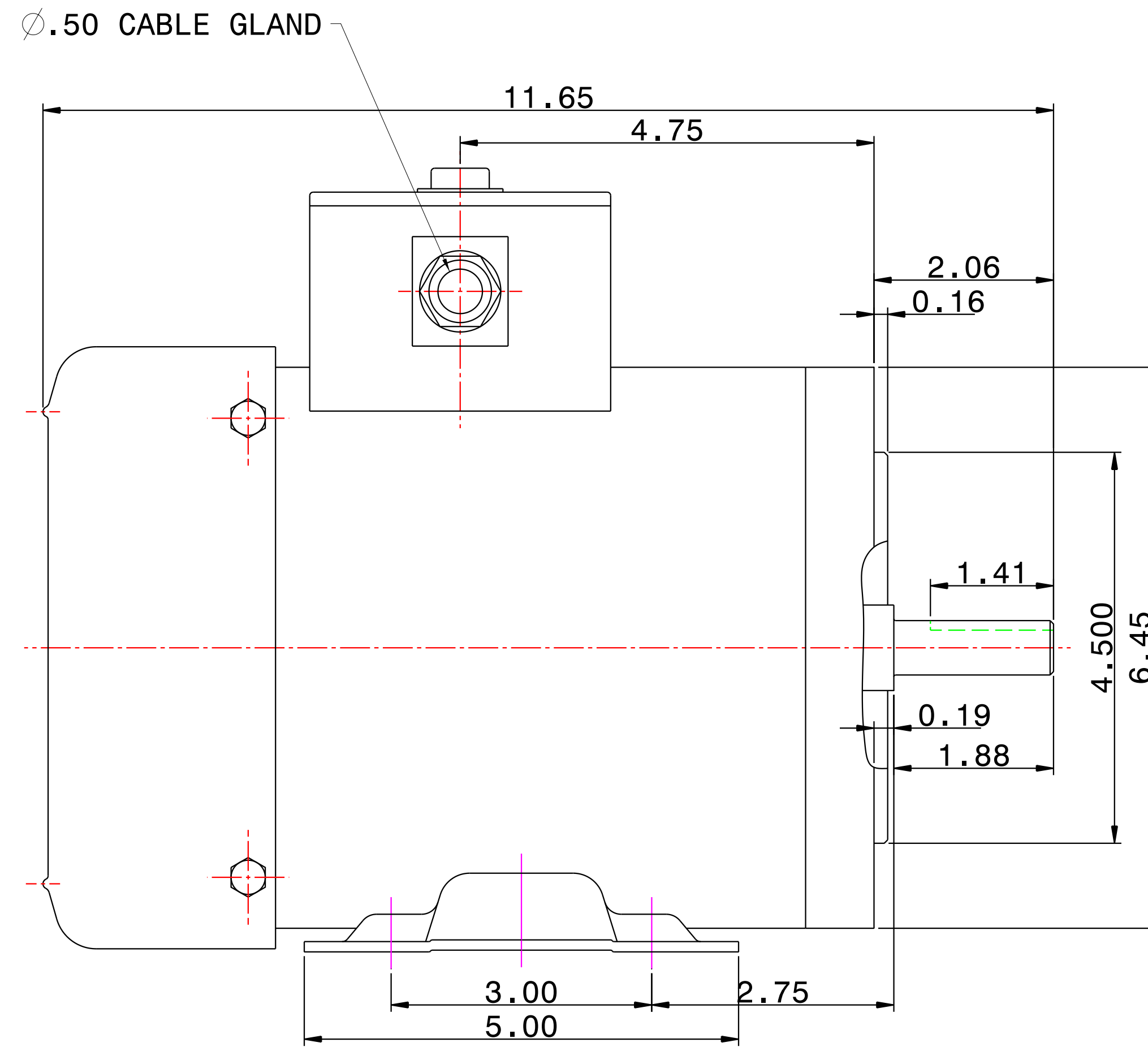


CATALOG #	TYPE	FRAME	OUTPUT		POLE	SYN. SPEED R.P.M.	VOLTAGE V.	Hz.	TIME RATING	INSULATION CLASS	SERVICE FACTOR	WEIGHT LBS
			HP	kW								
WPO/52C	AEGP	A56C	0.5	0.37	2	3600	230/460	60	CONT.	F	1.15	29 LBS.

TOTALLY ENCLOSED FAN-COOLED TYPE. SQUIRREL CAGE MOTOR



- NOTES: 1. DIMENSIONS IN INCH.  
 2. ENCLOSURE: IP56.  
 3. FOR DIRECT FLEXIBLE COUPLING.  
 4. STAINLESS STEEL CONSTRUCTION.

REV. DATA	REV. NO
TECO Westinghouse	01
3-PHASE INDUCTION MOTOR OUTLINE DIMENSIONS	DWG NO. OL-WPO/52C
DWN T. FELPS	020713
APPD S. GROHOSKY	020713
TECO-WESTINGHOUSE MOTOR COMPANY	ROUND ROCK, TEXAS USA