

Product Information Packet

November 7, 2016

Data shown is for the current revision model #. Ensure your nameplate model # matches.

Model Number:	5KS145ATE205F2RG3
Catalog Number:	E7055
Instruction Manual:	GEI-M1023
Connection Diagram:	GEM2034E-FIG3
Outline Drawing:	358B6213AD

Accessory Connection Diagrams			
Bearing Thermocouple:	None	Heater:	None
RTD:	None	Thermistor:	None
Thermostat:	None	Winding Thermocouple:	None
Bearing RTD:	None		

Table of Contents	
Specification	01
Performance Characteristics	02
Outline Drawing	03
Connection Drawing(s)	04

Marks:

MODEL NUMBER:	5KS145ATE205F2RG3	Estimated Weight:	65 Lbs
Outline Drawing:	358B6213AD	Time Rating:	CONT
Connection Diagram:	GEM2034E-FIG3	Enclosure:	DP
Instruction Book:	GEI-M1023	Encl Construction:	OPEN
Design Code:	14AD1005A	Ambient Max(°C):	40
Type:	KS	Alt Ambient Max(°C):	--
Frame:	145T	Insulation Class:	F
Phases:	3	NEMA Design:	B/C
Poles:	4	Nominal Efficiency:	86.5 %
Output Power:	2HP 1.5KW	Guaranteed Efficiency:	84.0
RPM:	1720	3/4 Load Efficiency:	88.6
Voltage:	230/460	KVA Code:	L
Hertz:	60	Max KVAR:	.9
Amps - FL:	5.4/2.7	Power Factor:	79
Service Factor:	1.15	Bearing - DE:	6205ZZ
Alt Service Factor:	--	Bearing - ODE:	6205ZZ

Enclosure is Dripproof

Stamped Nameplate Notes:**Additional Information:**

MADE FROM MODEL 5KS145ATE205F2
 ADD AEGIS GROUND RING
 MOD AMSTUTZ 15-NOV-2011

Performance Characteristics

1st Winding 1st Connection

Design: 14AD1005A

Marks:

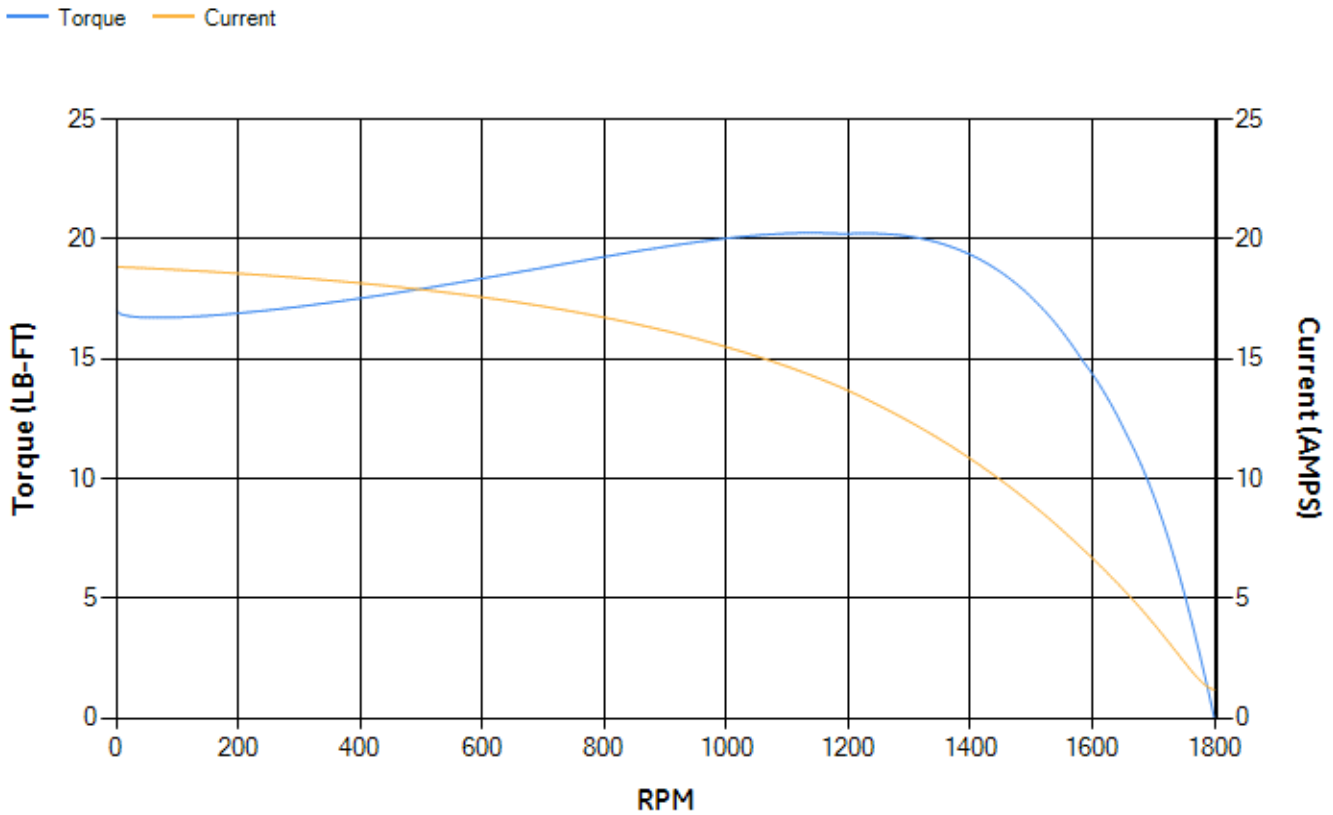
LOAD %	125.0	115.0	100.0	75.0	50.0	25.0	0.0
% EFF	85.68	86.5	87.71	88.56	88.23	83.51	0.00
% PF	83.46	82.63	80.76	75.08	63.74	41.88	6.46
AMPS	3.27	3.01	2.64	2.11	1.66	1.34	1.19

TORQ(FL)#FT	6.09	TORQ(LR)%FL	279.85	TORQ(BD)%FL	327.04
AMPS(LR)	18.84	PF AT START	0.55		

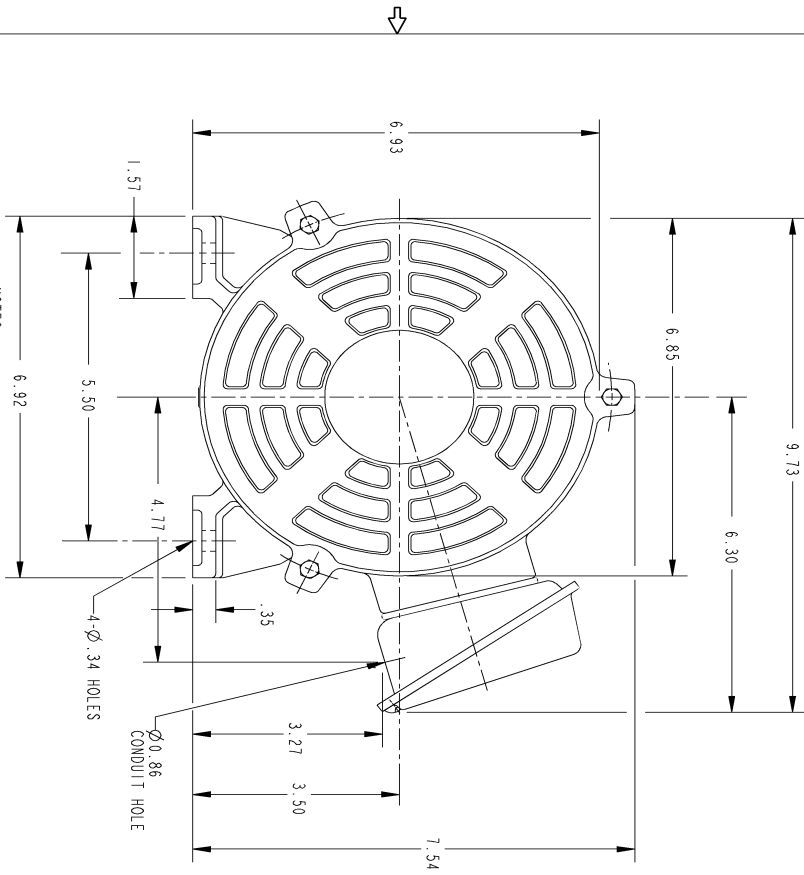
This motor is capable of two cold or one hot start with a maximum connected load inertia of 74 Lb-Ft Sq (3.12 Kg-meter Sq)at 100% voltage, where the load torque varies with the square of the speed. Acceleration time with maximum inertia and the above load type is 27 seconds. Safe stall time at 100% voltage is 69 seconds cold, 43 seconds hot. Rotor inertia is 0.13 Lb-Ft Sq (0.01 Kg-meter Sq).

Open Circuit A-C:	0.136	Short Circuit D-C:	0.007
Short Circuit A-C:	0.007	X/R Ratio:	2.514
Stator Slots:	36	Rotor Slots:	28

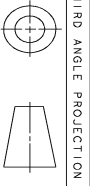
Speed Torque Current Curve (First Connection, First Speed)



Marks:

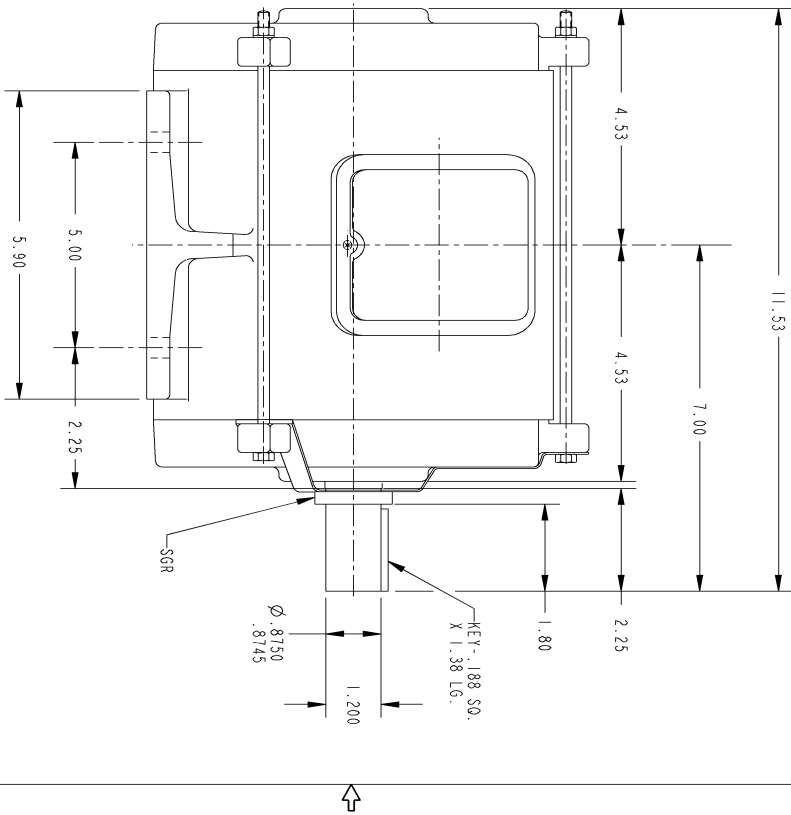


- NOTES :
1. CONDUIT BOX MAY BE PLACED WITH THE ENTRANCE DOWN, UP OR ON EITHER SIDE.
 2. F-1 ASM AS SHOWN.
 3. F-2 ASM - HAS CONDUIT BOX ON OPPOSITE SIDE.



SIZE: DRAWING NO. B		REV. 0		SHEET	
358B6213AD				REVISIONS	
REV.	DESCRIPTION	DATE	APPROVED		

This document is the property of General Electric Company ("GE") and contains proprietary information of GE. This document is issued on the express condition that recipient thereof shall not disseminate, distribute, copy, or otherwise use this information for any purpose other than that intended by GE. The information shall be used by the recipient only as expressly permitted by the Industrial System. This document shall be returned to GE upon its request. It is to be destroyed by the recipient if it is not to be used for the intended purpose and reproduction is not to be made.



SIGNATURES		DATE	
MODEL	SHANKAR	01/14/11	
DETAIL	VENKAT. J	01/14/11	
CHECKED	VENKAT. J	01/14/11	
ENGRS	VENKAT. J	01/14/11	
WIG			
QUALITY			
ISSUED	SHANKAR	01/14/11	
SO. ID. MODEL. MODEL NAME	358B6213AD		

GE Motors GENERAL ELECTRIC COMPANY

OUTLINE

145T - OPEN DRIP PROOF WITH SGR

358B6213AD

SCALE: DRAWING SCALE

SHEET 1 of 1

Marks:

Connection Diagram
GEM2034E-FIG3

