

4

3

2

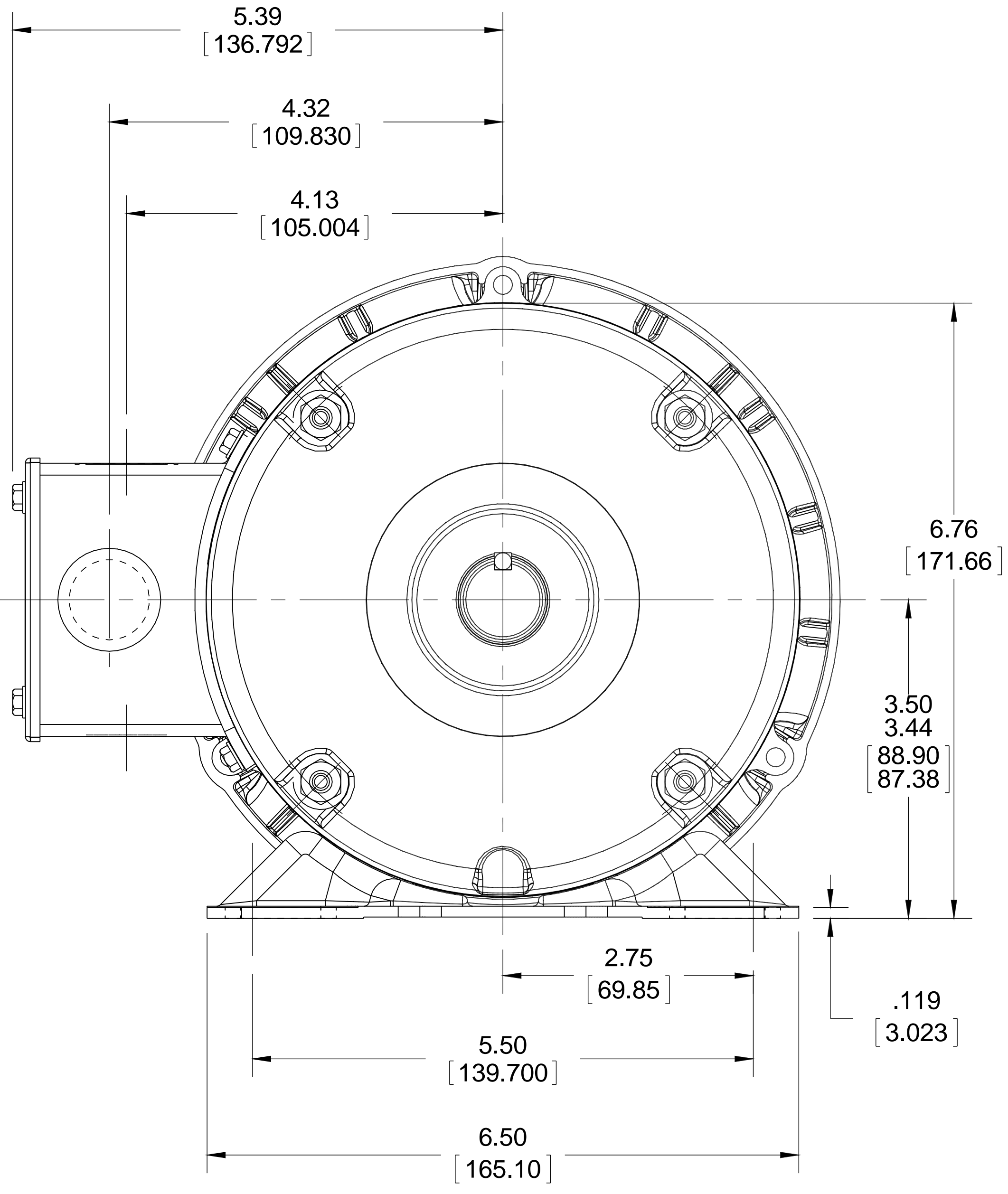
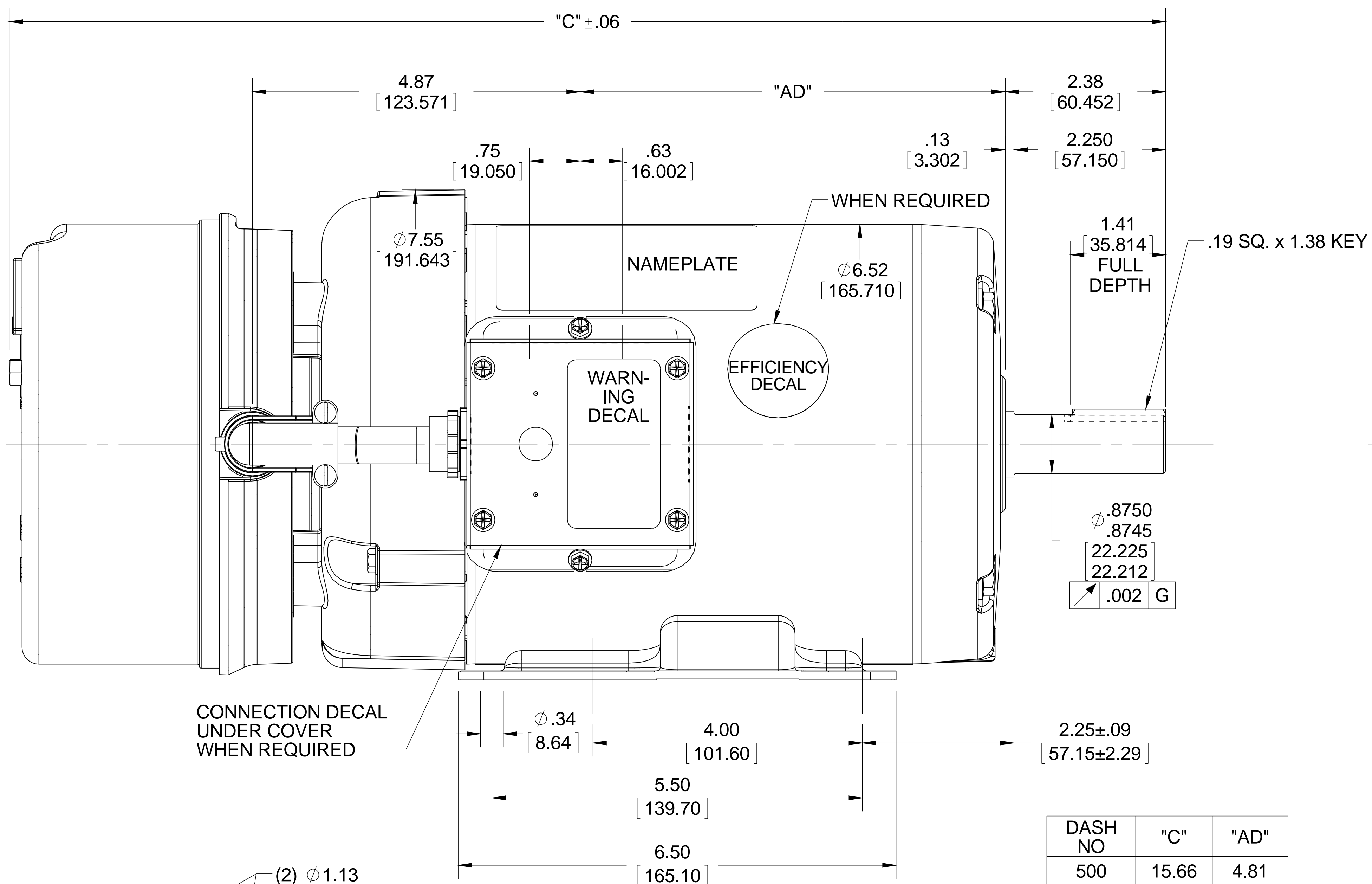
1

B

B

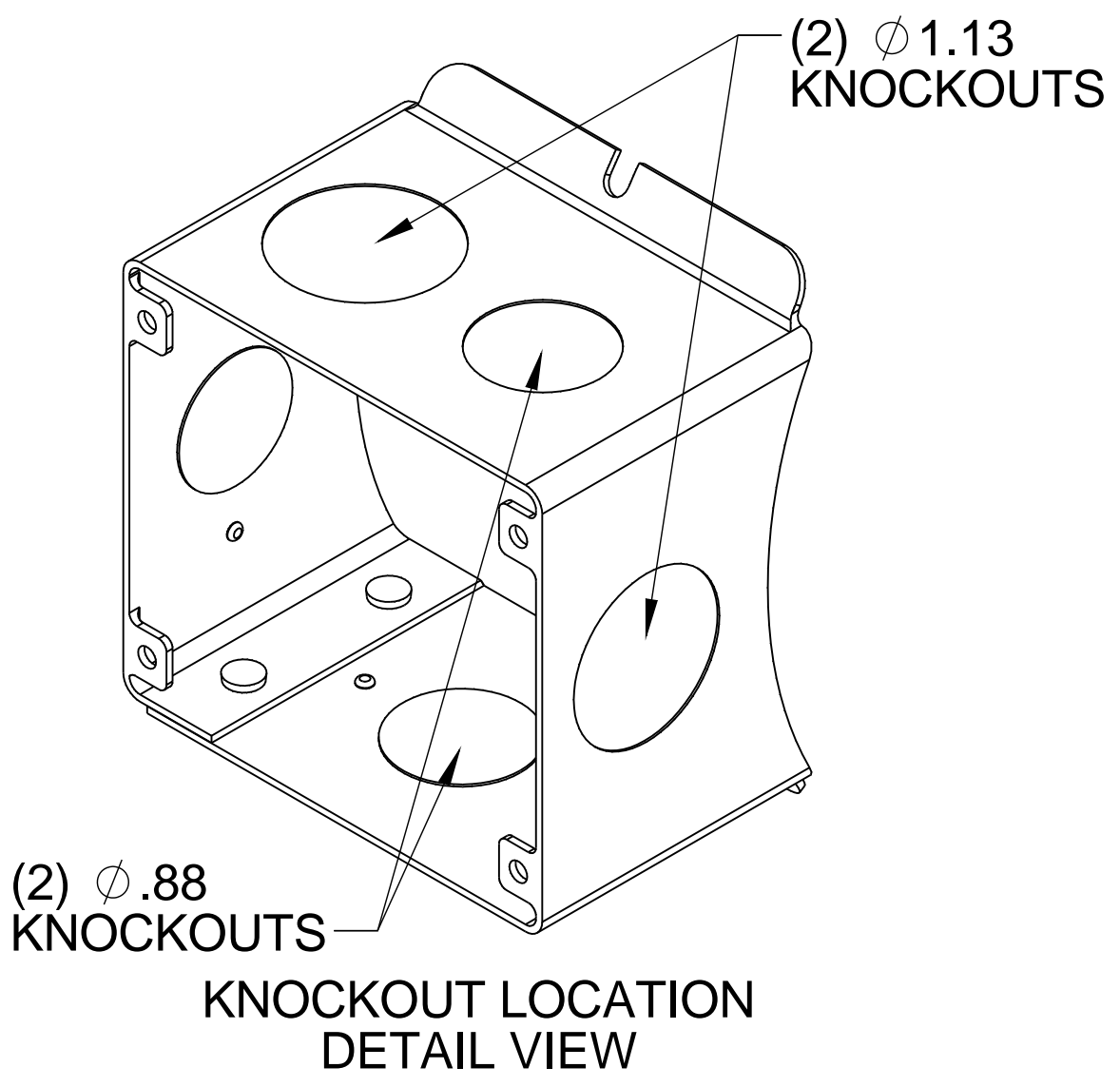
A

A



DASH NO	"C"	"AD"
500	15.66	4.81
550	16.16	5.31
600	16.66	5.81
650	17.16	6.31
700	17.66	6.81
750	18.16	7.31
800	18.66	7.81

NOTE:
1) GASKETS THROUGHOUT



DRAWING REVISION J
ECO ECO-0098884
ECO DESCRIPTION
BASE LOCATION DIMENSION WAS 2.75
COPYRIGHT REGAL BELOIT AMERICA, INC. ALL RIGHTS RESERVED. PROPRIETARY AND CONFIDENTIAL INFORMATION - THIS DOCUMENT IS THE PROPERTY OF REGAL BELOIT AMERICA, INC. ("OWNER") AND CONTAINS OWNER'S PROPRIETARY INFORMATION. ANY PERSON, CORPORATION OR OTHER FIRM RECEIVING IT IS DEEMED, BY RECEIVING IT, TO AGREE THAT IT, AND/OR ANY PART OF IT, SHALL NOT BE DISCLOSED TO ANY PERSON, CORPORATION OR OTHER ENTITY, DUPLICATED, AND/OR USED, EXCEPT AS EXPRESSLY APPROVED IN WRITING IN ADVANCE BY OWNER. THIS DOCUMENT SHALL BE RETURNED TO OWNER UPON REQUEST. IT MAY BE SUBJECT TO CERTAIN RESTRICTIONS UNDER APPLICABLE EXPORT CONTROL LAWS AND REGULATIONS.

REVISION BY LK
APPROVED BY JD
DATE 04/04/16
DATE 04/04/16
TOLERANCES UNLESS OTHERWISE SPECIFIED:
DEC. INCH mm ANGLE
.X ±0.1 [±2.5]
.XX ±0.01 [±0.25]
.XXX ±0.005 [±0.127]
.XXXX ±0.0005 [±0.0127]
REMOVE BURRS & BREAK SHARP EDGES: .003/.015 [0.076/.381] X 45°
CORNER FILLETS: R.02 [0.51]
MACHINED SURFACES: 125 INCH 3.2 mm
mm SHOWN IN [BRACKETS]

DRAWN BY GRB 07/10/2008
DATE
APPROVED BY
DATE
REFERENCE
THIRD ANGLE PROJECTION

REGAL™ Regal Beloit America, Inc.

DESCRIPTION
OUTLINE
TEFC - RIGID - BRAKEMOTOR

MATERIAL PROCESS/FINISH

SIZE **B** DRAWING NUMBER **028848** SHEET 1 OF 1

4

3

2

1