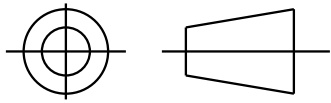


SHEET 1
REV 4
52A106959

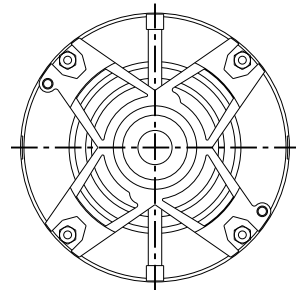
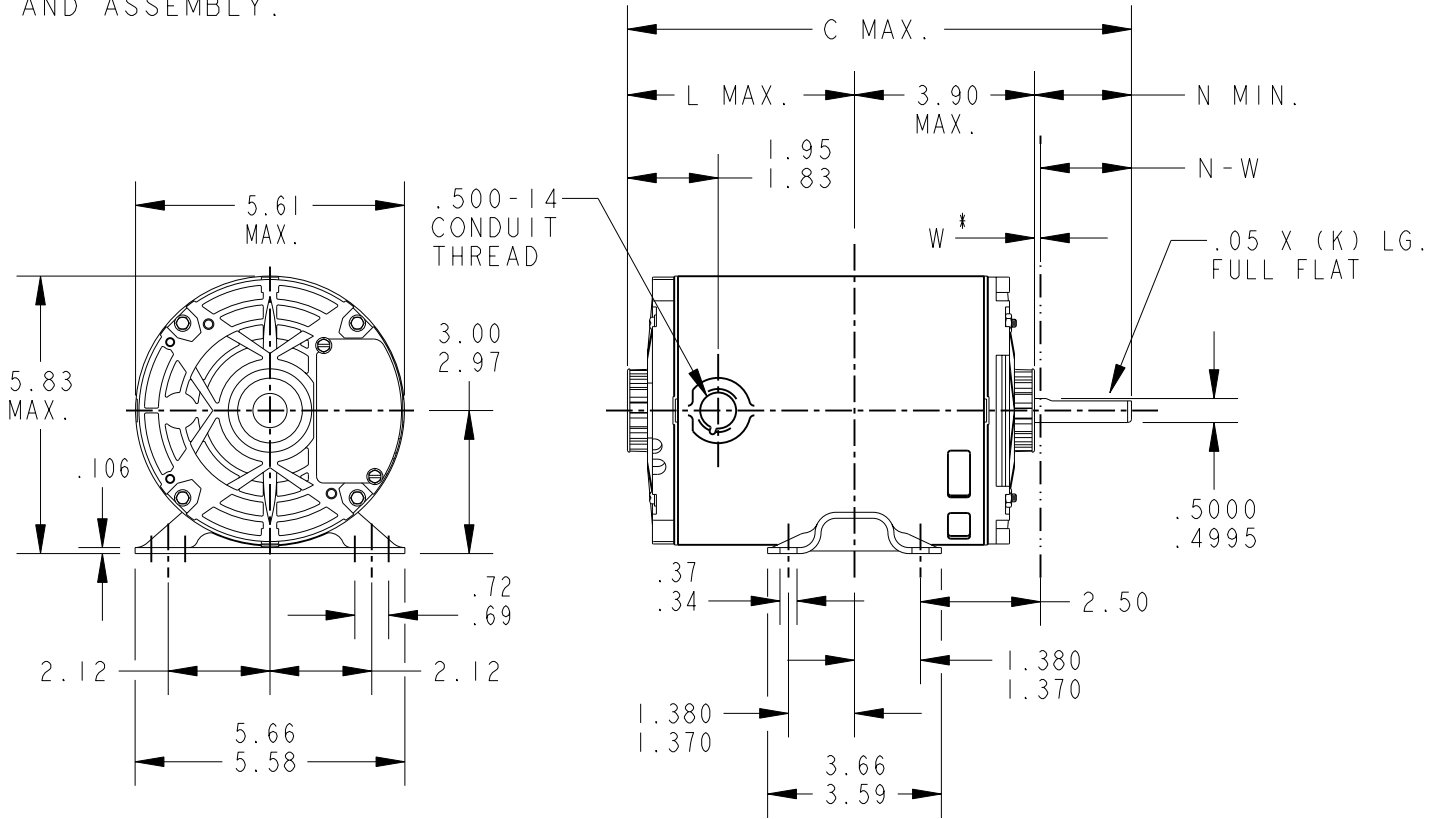
THIRD ANGLE PROJECTION



REVISIONS


REV.	DESCRIPTION	DATE	APPROVED
3	REDRAWN & ADDED P7	09/09/93	MAM
4	CHG TO RBC FORMAT PER ISO5-1777	02/15/06	SUDHA

W* IS A CLEARANCE DUE TO VARIATION IN PARTS AND ASSEMBLY.



VIEW SHOWING P.E. VENTILATION OPENINGS

7	KH	33	48	9.00	1.34	3.84	1.88	2.01/1.79
6	KH	32	48	8.62	1.16	3.27	1.50	1.63/1.41
5	K KH	37	48	10.40	1.16	5.05	1.50	1.63/1.41
4	K KH	36	48	10.00	1.16	4.65	1.50	1.63/1.41
3	K KH	35	48	9.57	1.16	4.22	1.50	1.63/1.41
2	K KH	33	48	9.19	1.16	3.84	1.50	1.63/1.41
1	K KH	32	48	8.94	1.16	3.59	1.50	1.63/1.41
P	TYPE	GE SIZE	NEMA FR	C	K	L	N	N - W

FOR ADDITIONAL INFO REFER TO: APPLIED PRACTICES DIMENSIONS ARE IN INCHES ✓ MATERIAL	SIGNATURES		DATE	 REGAL-BELOIT CORPORATION TITLE OUTLINE FORM N - GENERAL PURPOSE MOTOR - DRIP PROOF - WELDED BASE - BALL OR SLEEVE BEARING SCALE: 0.250 REF. No: . SHEET 1 of 1
	MODEL	MAM	06/15/89	
	DETAIL	.	.	
	CHECKED	.	.	
	ENGRG	.	.	
MFG	.	.		
QUALITY	.	.		
ISSUED	MAM	09/09/93		
SOLID MODEL: 52A106959	SIZE A		DRAWING	

52A106959 REV 4