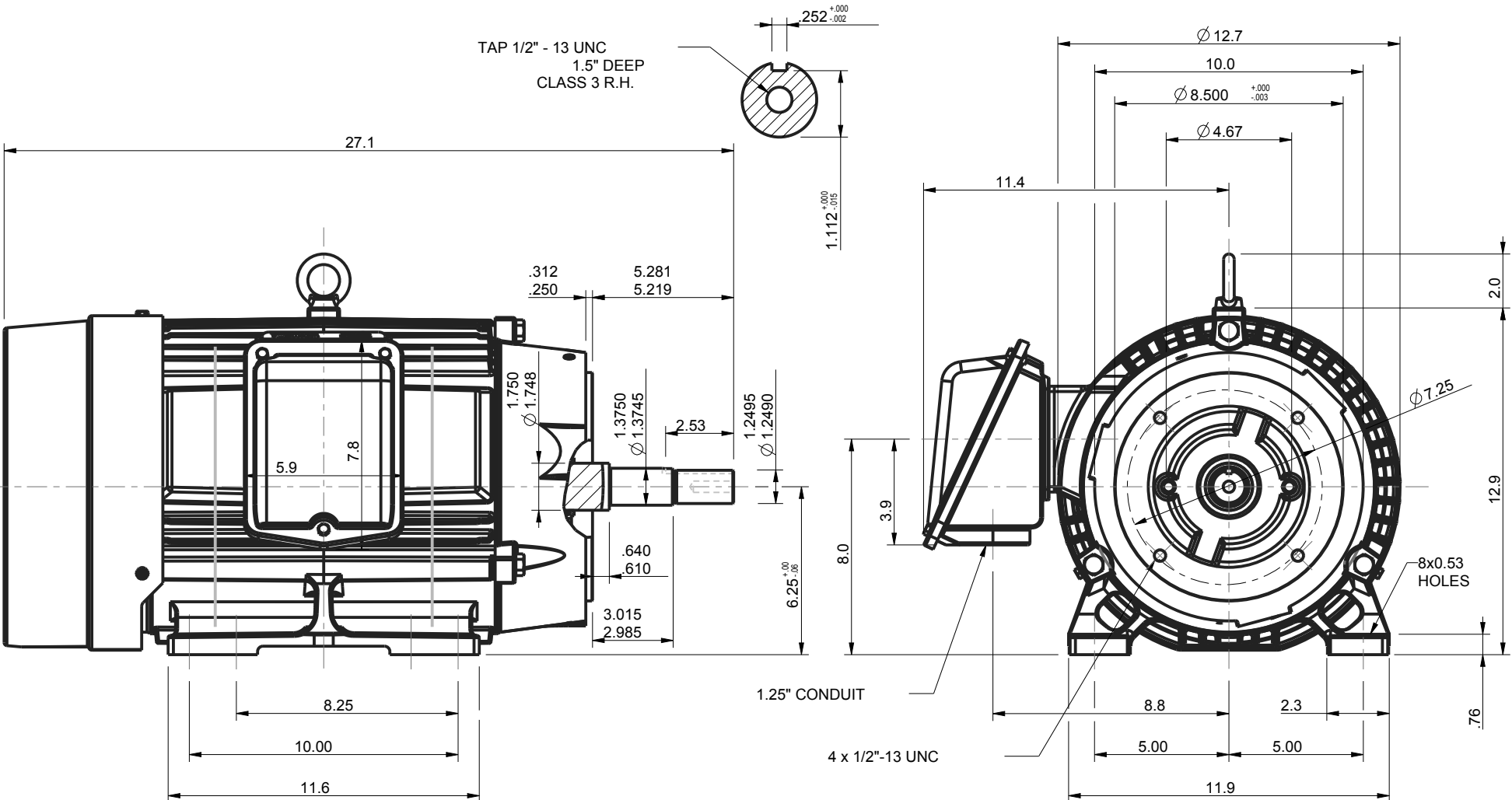
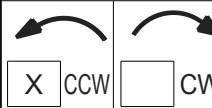


TAP 1/2" - 13 UNC  
1.5" DEEP  
CLASS 3 R.H.



UNITS: INCHES

ROTATION FROM NDE



NOTES:  
1. MAIN CONDUIT BOX MAY BE ROTATED IN 90° INCREMENTS  
2. STANDARD PRODUCT USES BI-DIRECTIONAL FAN. OPPOSITE ROTATION AVAILABLE ONLY BY CONNECTION CHANGE.  
3. KEY DIMENSIONS EQUAL 0.250"x 0.250"x 2.53" (MOTOR SUPPLIED WITH KEY)

TOSHIBA RESERVES THE RIGHT TO MAKE CHANGES OF TECHNICAL IMPROVEMENT AND THE DATA MAY CHANGE WITHOUT NOTICE  PRELIMINARY

DO NOT USE FOR CONSTRUCTION, INSTALLATION, OR APPLICATION PURPOSES UNLESS THE DRAWING IS MARKED AS CERTIFIED  CERTIFIED

**TOSHIBA**  
www.toshiba.com/tic  
TOSHIBA INTERNATIONAL CORPORATION

SEVERE DUTY  
**EQP** **SD**

TOTALLY ENCLOSED FAN COOLED  
HORIZONTAL FOOT MOUNTED  
3 PHASE INDUCTION MOTOR  
254JM/256JM F1 ASSEMBLY

DRAWING #: MDSL108-04  
REV. DATE: 05/10/18 REV. #: 4 PER.: M. O'DOWD  
REV. DESCIP.: UPDATED TITLE BLOCK, NOTES, &  
DIMENSIONS