

REV	ECO	REV BY	DATE	APPD	DATE
D	0025543	I. ORTIZ	04-26-2012	D. BALDERRAMA	04-26-2012

GENERAL INFORMATION:

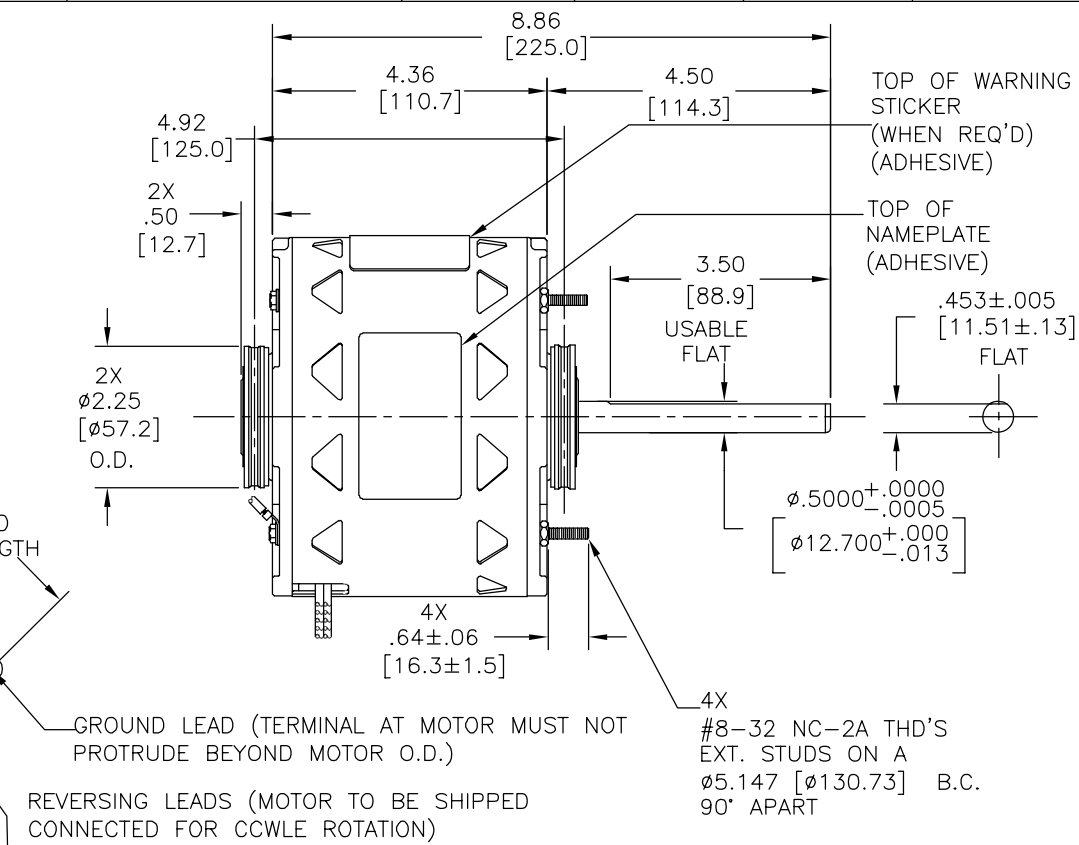
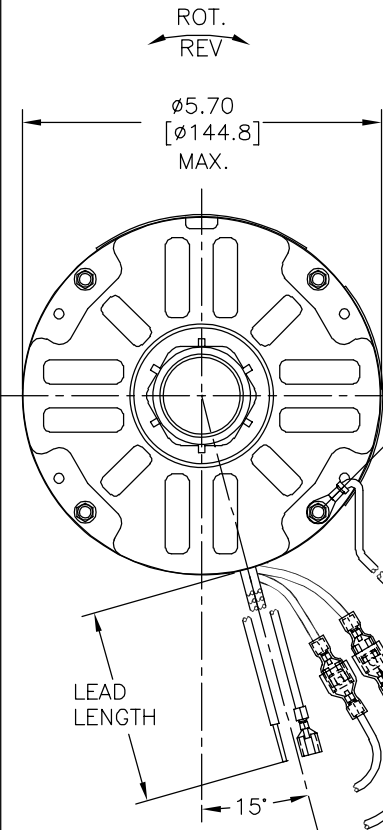
SHAFT RUNOUT: .001 [.03] T.I.R. PER INCH LENGTH OF EXTENSION  
 END PLAY: .010 TO .063 [.25 TO 1.60]  
 BEARINGS: SLEEVE  
 MOUNTING POSITION: HORIZONTAL

ELECTRICAL DATA:

OVERLOAD PROTECTOR: AUTOMATIC RESET (T.I. 7AM 036)  
 LINE LEADS: NO. 18 GA., .06 [1.5] THK., PVC. 125°C INSUL.  
 REVERSING LEADS: NO. 18 GA., .03 [.8] THK., CROSS-LINKED POLYETHELENE 125°C INSUL.  
 GROUND LEADS: NO. 18 GA., .03 [.8] THK., (GREEN)INSUL.

- NOTE:  
 1. SPLIT RING ADAPTOR 615035 (4 REQ'D) TO BE PACKED WITH EACH MOTOR.  
 2. DISTRIBUTION : CUST P/N: DL003  
 GRAINGER: CUST P/N:4KA26

SEE NOTE 2



GREEN (GRD)	9.0/11.0 [229/279]	10# EYELET
WHITE (REV)	4.0/6.0 [102/152]	.25[6.4] PER-INSUL. FEMALE SPADE
PURPLE(REV)	4.0/6.0 [102/152]	.25[6.4] PER-INSUL. FEMALE SPADE
ORANGE(REV)	4.0/6.0 [102/152]	.25[6.4] PER-INSUL. FEMALE SPADE
BROWN (REV)	4.0/6.0 [102/152]	.25[6.4] PER-INSUL. FEMALE SPADE
BROWN	25.0/27.0 [635/686]	.25[6.4] FEMALE SPADE
BROWN/WHITE	25.0/27.0 [635/686]	.25[6.4] FEMALE SPADE
YELLOW	25.0/27.0 [635/686]	.60[15.2] SKIN
BLACK	25.0/27.0 [635/686]	.60[15.2] SKIN
RED	25.0/27.0 [635/686]	.60[15.2] SKIN
COLOR	LENGTH	TERMINAL OR STRIP LENGTH

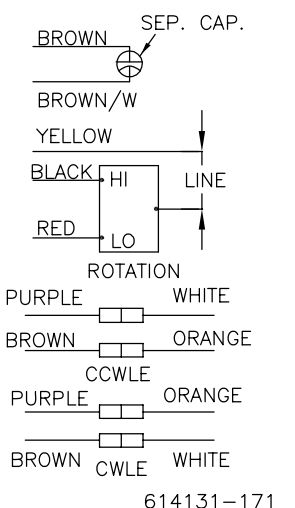
MAIN FRAME - OLE	OPEN
END FRAME - OLE	OPEN
MAIN FRAME - LE	OPEN
END FRAME - LE	OPEN

CUSTOMER	DISTRIBUTION SERVICES
----------	-----------------------

NAMEPLATE DATA:

MODEL: F48N03A01  
 CUST. P/N: [ ]  
 HP: 1/3  
 ROT: REVERSIBLE  
 RPM: 1075/2 SPD  
 TYPE: UF  
 FRAME: 48Y  
 VOLTS: 115  
 PH: 1  
 AMPS: 4.9 (6.4 MAX.)  
 HZ: 60  
 INS: B  
 AMB: 40 °C  
 DUTY: AIR OVER  
 CODE: -  
 CAP.: 7.5 MFD/370V  
 ENCL: OPEN  
 UL LOGO  
 CSA LOGO  
 THERMALLY PROTECTED

EXTERNAL CONNECTION DIAGRAM



PERFORMANCE CURVE NO.	TORQUE @ 1075 RPM (25°C)	APPROVED SAMPLE	UL COMPONENT FILE #	CCN #	CSA FILE #	CLASS #
C31363	39.1 OZ.FT.	---	E46412	PRGY2	LR43341	4211-01

GEOMETRIC CHARACTERISTICS & SYMBOLS  
 ▮ FLATNESS  
 - STRAIGHTNESS  
 < ANGLARITY  
 ⊥ PERPENDICULARITY (SQUARENESS)  
 // PARALLELISM  
 ○ ROUNDNESS (CIRCULARITY)  
 ∅ CYLINDRICITY  
 △ PROFILE OF ANY SURFACE  
 ∇ PROFILE OF ANY LINE  
 ↗ RUNOUT  
 ⊕ TRUE POSITION  
 ⊙ CONCENTRICITY  
 = SYMMETRY  
 ASME Y14.5M 1994

REGAL-BELOIT CORPORATION (RBC) PROVIDES TECHNICAL ASSISTANCE TO OUR CUSTOMERS IN SEVERAL AREAS. SINCE RBC DOES NOT RECEIVE ALL DATA CONCERNING THE USE AND APPLICATION OF THE MOTOR, THE SUITABILITY OF THE MOTOR FOR THE APPLICATION MUST BE DETERMINED BY THE CUSTOMER.  
 DIMENSIONS WITHOUT TOLERANCES ARE FOR REFERENCE ONLY.

DR BY: D M JONES 04-06-1999  
 APPD: J P MU 04-07-1999  
 THIRD ANGLE PROJECTION  
 EDS DATE 11-11-2011  
 FORMAT REV G  
 CONFIDENTIAL: THIS DRAWING AND ITS INFORMATION ARE THE EXCLUSIVE AND CONFIDENTIAL PROPERTY OF REGAL-BELOIT CORPORATION AND ARE NOT TO BE DISCLOSED, DUPLICATED, DISTRIBUTED OR OTHERWISE USED WITHOUT THE WRITTEN CONSENT OF REGAL-BELOIT CORPORATION. -ALL RIGHTS RESERVED.

**REGAL-BELOIT CORPORATION**

DESCRIPTION: MODEL-RFHP-48FR OUTLINE

SIZE: C DWG NO: 11760-088

SCALE: NONE SHEET: 1

4

3

2

1

REVISION:	ECO	REVISADO POR:	FECHA:	APROBADO POR:	FECHA:
D	0025543	I. ORTIZ	04-26-2012	D. BALDERRAMA	04-26-2012

**INFORMACION GENERAL:**

OSCILACION DE FLECHA: .001 [.03] L.T.I. POR EXTENSION DE PULGADA POR LARGO

JUEGO AXIAL: .010 A .063 [.25 A 1.60]

BALEROS: MANGA

POSICION DEL MONTAJE: HORIZONTAL

**INFORMACION ELECTRICA:**

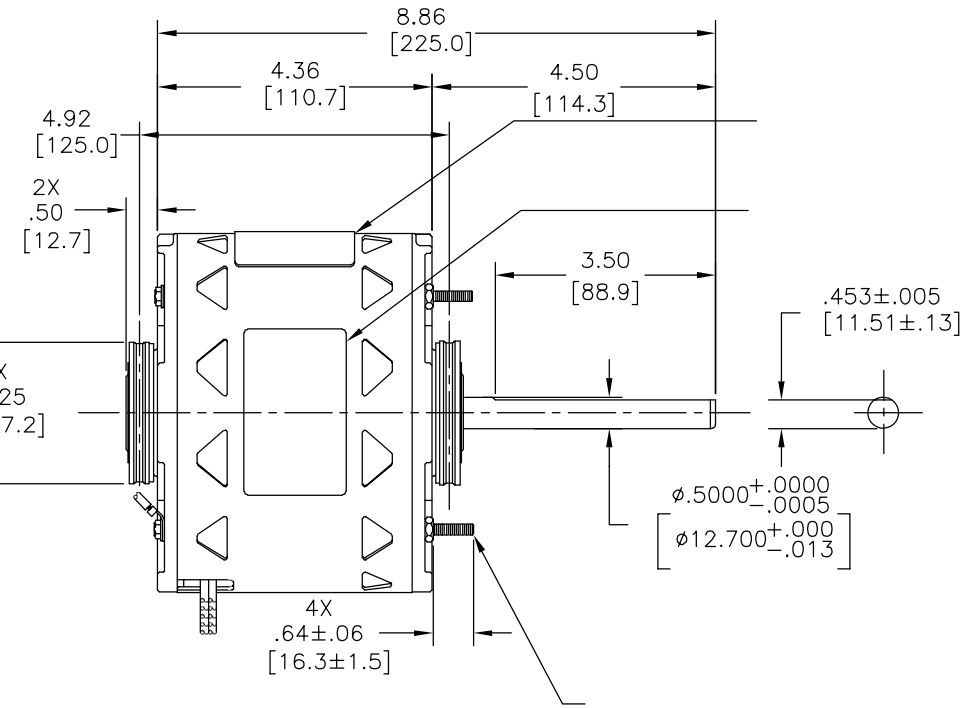
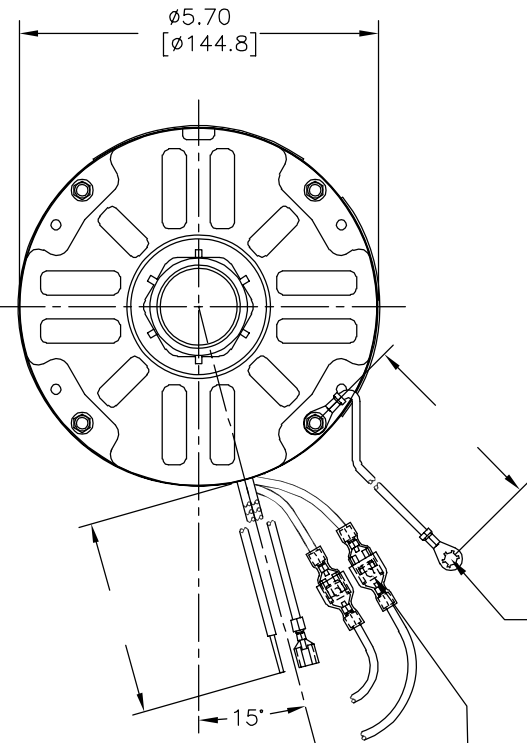
SOBRECARGA DEL PROTECTOR: REINICIO AUTOMATICO (T.I. 7AM 036)

CABLES EN LINEA: NO. 18 GA., .06 [1.5] THK. PVC 125°C AISLANTE

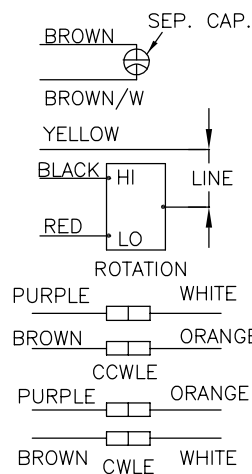
CABLES DE CONTRAMARCHA: NO. 18 GA., .03 [.8] THK., LIGADO EN CRUZ DE POLIETILENO 125°C AISLANTE

CABLES DE TIERRA: NO. 18 GA., .03 [.8] THK. (VERDE) AISLANTE

2. DISTRIBUTION : CUST P/N: DL003  
GRAINGER: CUST P/N:4KA26  
VER NOTA 2



MODEL: F48N03A01  
CUST. P/N: [-----]  
HP: 1/3  
ROT: REVERSIBLE  
RPM: 1075/2 SPD  
TYPE: UF  
FRAME: 48Y  
VOLTS: 115  
PH: 1  
AMPS: 4.9 (6.4 MAX.)  
HZ: 60  
INS: B  
AMB: 40 °C  
DUTY: AIR OVER  
CODE: -  
CAP.: 7.5 MFD/370V  
ENCL: OPEN  
UL LOGO  
CSA LOGO  
THERMALLY PROTECTED



	9.0/11.0	
	[229/279]	
	4.0/6.0	
	[102/152]	
	4.0/6.0	
	[102/152]	
	4.0/6.0	
	[102/152]	
	4.0/6.0	
	[102/152]	
	25.0/27.0	
	[635/686]	
	25.0/27.0	
	[635/686]	
	25.0/27.0	
	[635/686]	
	25.0/27.0	
	[635/686]	

DESEMPEÑO DE NO CURVA	TORQUE @ 1075 RPM (25°C)	MUESTRA APROVADA	UL COMPONENTE	CSA
C31363	39.1 OZ.FT.	---	#ARCHIVO	#TIPO
			E46412 PRGY2	LR43341 4211-01

CARACTERISTICAS DE GEOMETRIA Y SIMBOLOS

- ∠ PLANICIDAD
- RECTITUD
- ∠ ANGULARIDAD
- ⊥ PERPENDICULARIDAD (A ESCUADRA)
- // PARALELISMO
- REDONDEZ (CIRCULARIDAD)
- ⊘ CILINDRICIDAD
- △ PERFIL DE CUALQUIER SUPERFICIE
- ∧ PERFIL DE CUALQUIER LINEA
- ∧ VARIACION
- ⊕ POSICION REAL
- ◎ CONCENTRICIDAD
- = SIMETRIA

ASME Y14.5M 1994

REGAL-BELOIT CORPORATION (RBC) PROVEE ASISTENCIA TECNICA A NUESTROS CLIENTES EN VARIAS AREAS. DESDE QUE RBC NO RECIBE TODOS LOS DATOS EN RELACION AL USO Y A LA APLICACION DEL MOTOR, LA APLICACION ADECUADA DEL MOTOR DEBE SER DETERMINADA POR EL CLIENTE.

DIMENSIONES SIN TOLERANCIA SON DE REFERENCIA SOLAMENTE

DIBUJADO POR: D M JONES  
APROBADO POR: J P MU

04-06-1999  
04-07-1999  
FECHA EDS: 11-11-2011  
REV. FORMATO: G

TERCER ANGULO DE PROYECCION

CONFIDENCIAL: ESTE DIBUJO Y SU INFORMACION SON PROPIEDAD DE USO EXCLUSIVO Y CONFIDENCIAL DE REGAL-BELOIT CORPORATION. Y NO DEBERAN SER REVELADOS, DUPLICADOS, DISTRIBUIDOS O USARSE DE OTRA MANERA SIN EL CONSENTIMIENTO ESCRITO DE REGAL-BELOIT CORPORATION. -TODOS LOS DERECHOS RESERVADOS.



DESCRIPCION: MODEL-RFHP-48FR OUTLINE

TAMAÑO: C NUMERO DE DIBUJO: 11760-088

ESCALA: NONE HOJA: 1

4

3

2

1

4

3

2

1

版本	ECO	编制	日期	批准	日期
D	0025543	I. ORTIZ	04-26-2012	D. BALDERRAMA	04-26-2012

总要求:

轴跳动: .001/1 [.03/25.4] (外伸轴)  
 端部窜动量: .010 - .063 [.25 - 1.60]  
 轴承: 含油轴承  
 安装位置: 水平

电气数据:

过载保护: 自动复位 (T. I. 7AM 036)  
 18 GA., .06[1.5] 厚. 125° C 绝缘  
 换向引线: 18 GA., .03[.8] 厚. 聚乙烯 125° C 绝缘  
 接地线: 18 GA., .03 [.8] 厚. (绿色) 绝缘

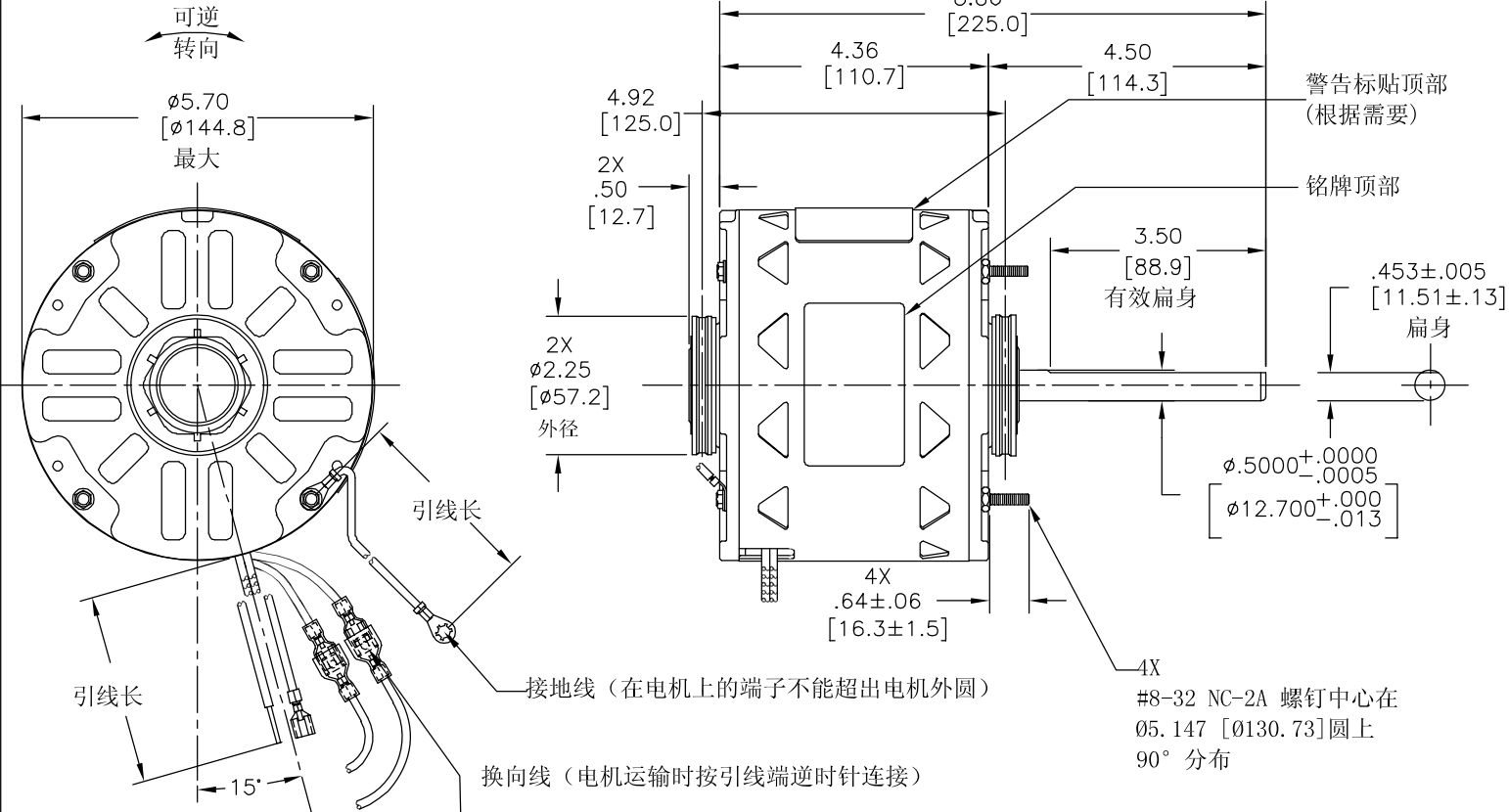
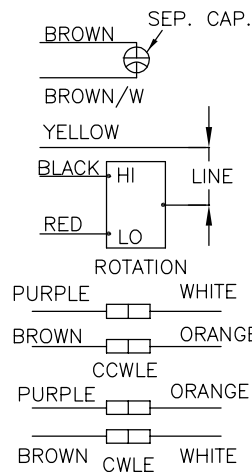
技术要求:  
 1. 每台电机包装时附带4个减振圈 (680198-001).  
 2. DISTRIBUTION : CUST P/N: DL003  
 GRAINGER: CUST P/N:4KA26

SEE NOTE 2

铭牌数据

MODEL: F48N03A01  
 CUST. P/N: [-----]  
 HP: 1/3  
 ROT: REVERSIBLE  
 RPM: 1075/2 SPD  
 TYPE: UF  
 FRAME: 48Y  
 VOLTS: 115  
 PH: 1  
 AMPS: 4.9 (6.4 MAX.)  
 HZ: 60  
 INS: B  
 AMB: 40 °C  
 DUTY: AIR OVER  
 CODE: -  
 CAP.: 7.5 MFD/370V  
 ENCL: OPEN  
 UL LOGO  
 CSA LOGO  
 THERMALLY PROTECTED

外部连接详图



绿色 (接地)	9.0/11.0 [229/279]	10# 端子
白色 (换向)	4.0/6.0 [102/152]	.25[6.4] 母铲形插带绝缘套
紫色 (换向)	4.0/6.0 [102/152]	.25[6.4] 母铲形插带绝缘套
橙色 (换向)	4.0/6.0 [102/152]	.25[6.4] 母铲形插带绝缘套
棕色 (换向)	4.0/6.0 [102/152]	.25[6.4] 母铲形插带绝缘套
棕色	25.0/27.0 [635/686]	.25[6.4] 母铲形插
棕色/白色	25.0/27.0 [635/686]	.25[6.4] 母铲形插
黄色	25.0/27.0 [635/686]	.60[15.2] 剥线长
黑色	25.0/27.0 [635/686]	.60[15.2] 剥线长
红色	25.0/27.0 [635/686]	.60[15.2] 剥线长
颜色	长度	端子或剥线长度

非引线端机壳	开放
非引线端端盖	开放
引线端机壳	开放
引线端端盖	开放

用户	DISTRIBUTION SERVICES
----	-----------------------

性能曲线编号	转矩在1075RPM (25° C)	批准样品	UL部件	CSA
C31363	39.1 OZ.FT.	---	文件号 指南	文件号 指南
			E46412 PRGY2	LR43341 4211-01

- 形位公差
- 平面度
- 直线度
- ∠ 倾斜度
- ⊥ 垂直度
- // 平行度
- 圆度
- ⊘ 圆柱度
- ⊖ 面轮廓度
- △ 线轮廓度
- ↗ 圆跳动
- ⊕ 位置度
- ⊙ 同轴度
- ≡ 对称度

ASME Y14.5M 1994

REGAL-BELOIT CORPORATION (RBC) 在个别领域为客户提供技术支持。鉴于RBC未收到任何涉及电机使用和应用环境的数据, 电机的适用性由客户自己决定。

未注公差尺寸仅供参考。

绘图:	D M JONES	04-06-1999
批准:	J P MU	04-07-1999
第三角投影		图纸格式发布日期 11-11-2011 图纸格式版本 G
机密: 本图纸及相关信息所有权归REGAL-BELOIT CORPORATION。未经REGAL-BELOIT CORPORATION书面授权, 不得泄露、复制、传播或作其他用途。— 版权所有		

名称: **REGAL-BELOIT CORPORATION**

MODEL-RFHP-48FR  
OUTLINE

图幅: C 图号: 11760-088

比例: NONE 页号: 1

4

3

2

1