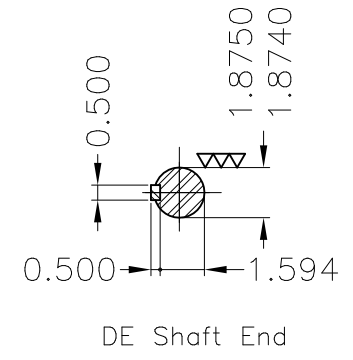
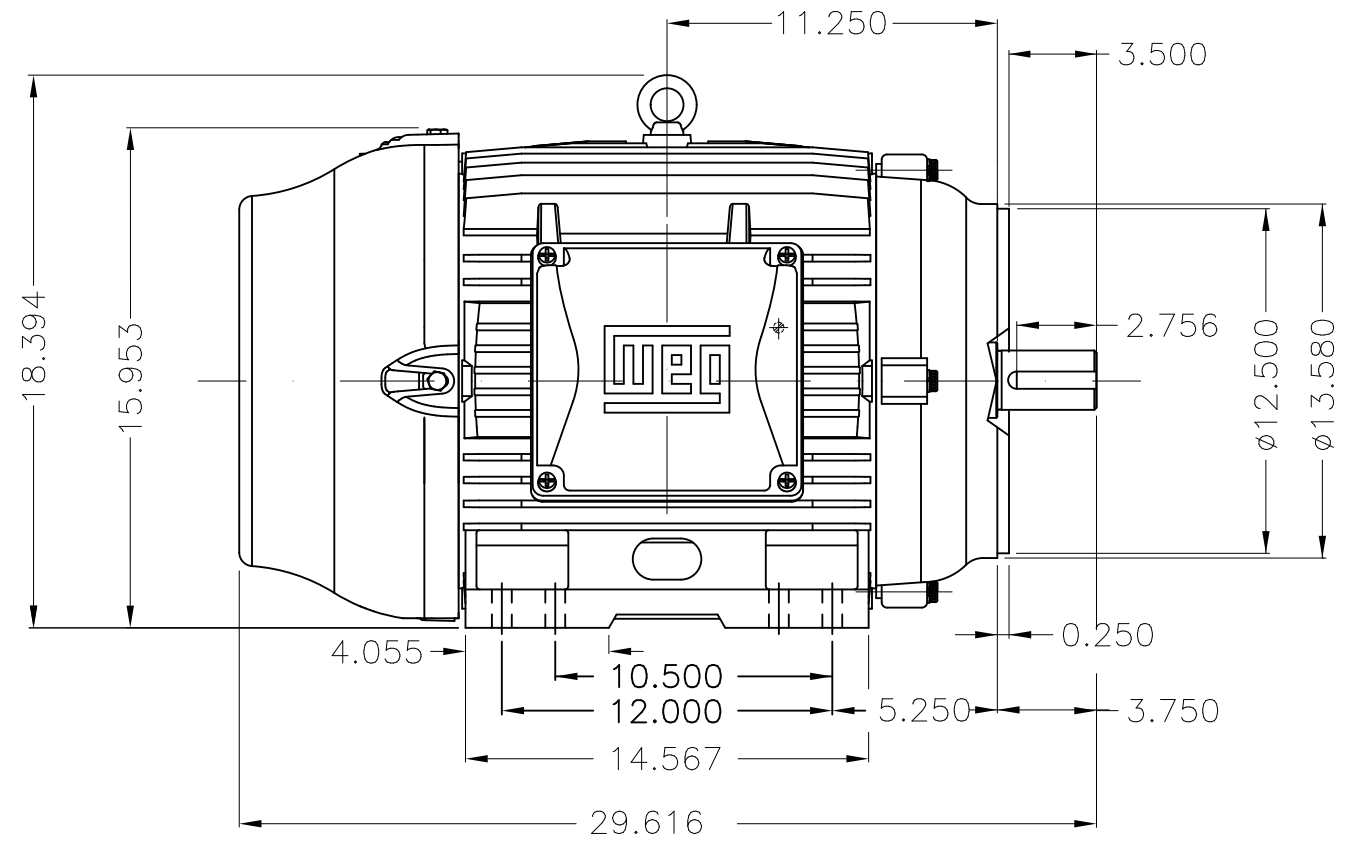
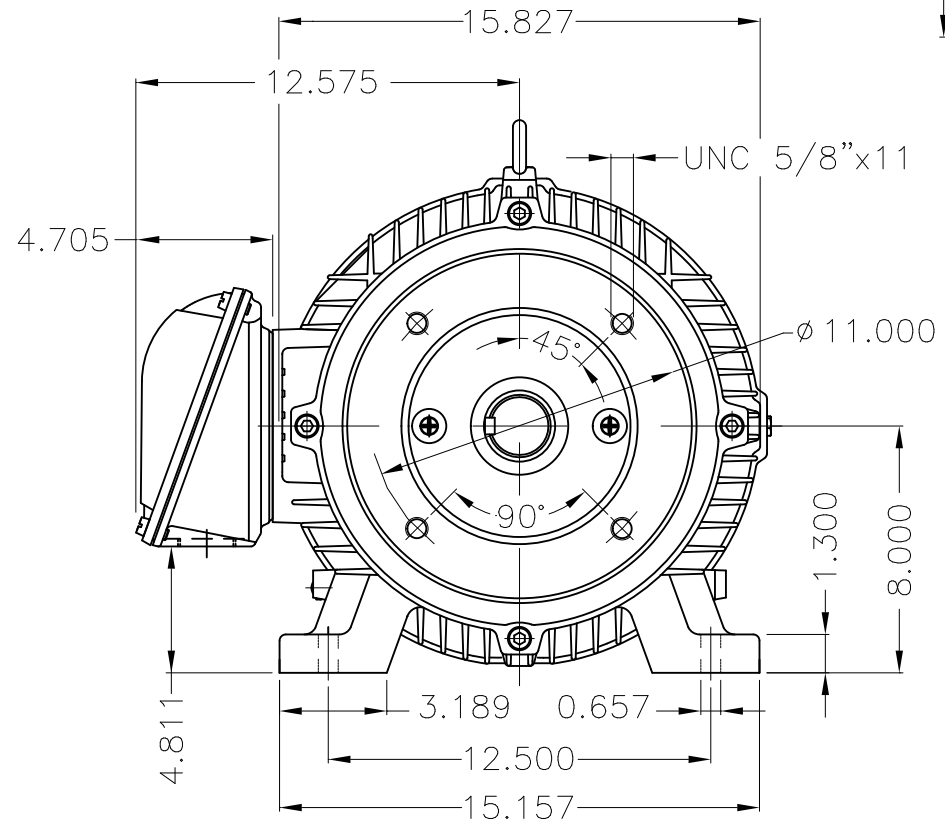
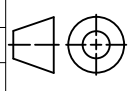


Dimensões em polegada
Dimensions in inches

THIS IS AN UPDATED REVISION, THE
PREVIOUS ONE MUST BE DISREGARDED.



Color RAL 5009
Painting plan 203A
Mounting B34R(D)

| ECM | LOC | SUMMARY OF MODIFICATIONS | | | EXECUTED | CHECKED | RELEASED | DATE | VER |
|----------|------------|---|--|---------------------|----------|---------|----------|------|-----|
| EXECUTED | USERADMIN |  | THREE PHASE W22 MOTOR - NEMA PREMIUM EFF | | | | | | |
| CHECKED | | | FRAME 324/6TSC IP55 TEFC | | | | | | |
| RELEASED | | | WEG code: 12448179 | | | | | | |
| REL DT | 24.07.2017 | WMO | Jaragua do Sul | Product Engineering | SHEET | 1 / 1 | | | |

40 HP 02 Poles 60Hz

